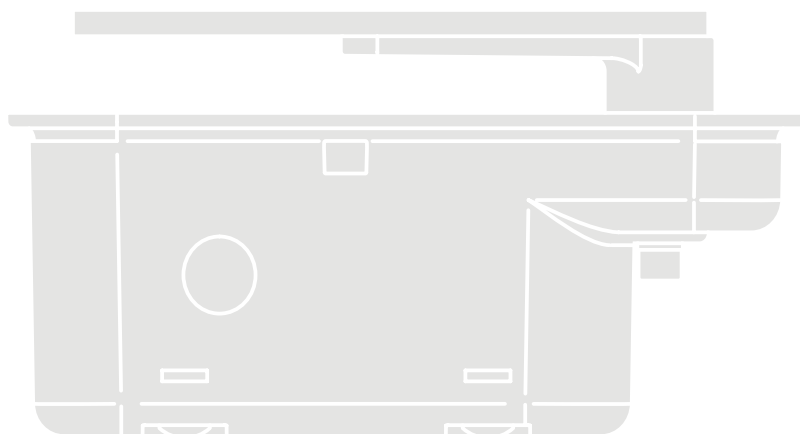


MFAB3000
MFAB3010
MFAB3000L
MFAB3000/110
MFAB3024
MFAB3024HS



Swing gate opener

EN - Instructions and warnings for installation and use

IT - Istruzioni ed avvertenze per l'installazione e l'uso

FR - Instructions et avertissements pour l'installation et l'utilisation

ES - Instrucciones y advertencias para la instalación y el uso

DE - Installierungs-und Gebrauchsanleitungen und Hinweise

PL - Instrukcje i ostrzeżenia do instalacji i użytkowania

NL - Aanwijzingen en aanbevelingen voor installatie en gebruik

1 GENERAL SAFETY WARNINGS AND PRECAUTIONS

GENERAL WARNINGS

- **ATTENTION! - Important safety instructions. Follow all instructions as improper installation may cause serious damage.**
- **ATTENTION! - Important safety instructions. It is important for you to comply with these instructions for your own and other people's safety. Keep these instructions.**
- Before commencing the installation, check the "Technical characteristics" (in this manual), in particular whether this product is suitable for automating your guided part. If it is not suitable, DO NOT continue with the installation.
- The product cannot be used before it has been commissioned as specified in the chapter on "Testing and commissioning".
- **ATTENTION! - According to the most recent European legislation, the implementation of an automation system must comply with the harmonised standards provided by the Machinery Directive in force, which enables declaration of the presumed conformity of the automation. Taking this into account, all operations regarding connection to the electricity grid, as well as product testing, commissioning and maintenance, must be performed exclusively by a qualified and skilled technician!**
- Before proceeding with the installation of the product, check that all the materials are in good working order and suited to the intended applications.
- **ATTENTION! - In order to avoid any danger from inadvertent resetting of the thermal cut-off device, this appliance must not be powered through an external switching device, such as a timer, or connected to a supply that is regularly powered or switched off by the circuit.**
- Provide a disconnection device (not supplied) in the plant's power supply grid, with a contact opening distance permitting complete disconnection under the conditions dictated by overvoltage category III.
- Handle the product with care during installation, taking care to avoid crushing, denting or dropping it, or allowing contact with liquids of any kind. Keep the product away from sources of heat and naked flames. Failure to observe the above can damage the product, and increase the risk of danger or malfunction. Should this happen, stop installation immediately and contact Customer Service.
- The manufacturer assumes no liability for damage to property, items or persons resulting from non-compliance with the assembly instructions. In such cases the warranty for material defects is excluded.
- The weighted sound pressure level of the emission A is lower than 70 dB(A).
- Before working on the system (maintenance, cleaning), always disconnect the product from the mains power supply.
- Check the system periodically, in particular all cables, springs and supports to detect possible imbalances, signs of wear or damage. Do not use, if repairs or adjustments are necessary, since installation failure or an incorrectly balanced automation may cause injury.
- The packing materials of the product must be disposed of in compliance with local regulations.
- When operating a biased-off switch, make sure that other persons are kept away.
- When operating the gate, keep an eye on the automated mechanism and keep all bystanders at a safe distance until the movement has been completed.
- Do not operate the product if anyone is working nearby; disconnect its power supply before permitting such work to be done.
- If the power cable is damaged, it must be replaced by the manufacturer or by an appointed servicing company or similarly qualified person in order to prevent any form of risk.

INSTALLATION WARNINGS

- Prior to installing the drive motor, check that all mechanical components are in good working order and properly balanced, and that the automation moves correctly.
- If the gate or door being automated has a pedestrian gate, then the system must include a control device that will inhibit the operation of the motor when the pedestrian gate is open.
- Make sure that the control devices are kept far from moving parts but nonetheless in a visible position. Unless a selector is used, the control devices must be installed at a height of at least 1.5 m and must not be accessible.
- Ensure that entrapment between the driven part and the surrounding fixed parts due to the opening movement of the driven part is avoided.
- Permanently fix the label concerning the manual release adjacent to its actuating member.
- After installing the drive motor, make sure that the mechanism, protective system and all manual manoeuvres operate properly.

2 DESCRIPTION OF THE PRODUCT AND DESTINATION OF USE

MFAB(...) is a gearmotor designed for the automation of single-leaf or double-leaf gates. **WARNING! – Any applications other than those described above or under different conditions from those specified in this manual are forbidden.**

MFAB(...) operates with electric power. In the event of a power failure, the gearmotor can be released using suitable keys in order to move the leaves manually.

3 INSTALLATION

3.1 - Preliminary Checks

Before proceeding with the installation, make sure that the structure is suitable and that it complies with the regulations in force. In particular, you need to make sure that: • there are no points of friction in the opening and closing travel of the gate; • the gate is well balanced, i.e., once it is stopped in any position it should not show a tendency to start moving again; • the gate opens and closes smoothly and noiselessly; • the area selected for gearmotor installation enables easy and safe manual manoeuvring; • check the integrity of the package; • make sure that the mounting area is compatible with the dimensions of the box (fig. 1); • provide a closing strike and, if possible, also an opening strike.

WARNING! – Please keep in mind that MFAB(...) is designed to drive an efficient, safe gate (with one or two leaves), and is not intended to make up for defects resulting from improper installation or poor maintenance.

3.2 - Operating Limits

The shape and height of the gate (e.g. blind) and the weather conditions (e.g. strong winds) may significantly reduce the values shown in the **Graph A**.

Note – If any of the gate leaves is wider than 2.5 metres, we recommend the installation of an electric lock (PLA10 or PLA11).

3.3 - Mounting

3.3.1 - Overall Dimensions and Positioning of Foundation Box

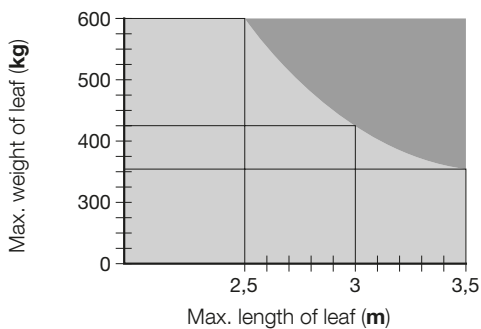
1. Excavate the foundation hole based on the overall dimensions; provide good drainage in order to prevent water stagnation.
2. Fasten the accessory for the opening limit switch to the box, carefully observing the directions and measurements shown in the **fig. 6** to avoid incorrect installation.
3. Place the box inside the foundation hole; the stud must be aligned with the axis of the hinge (**fig. 2**).
4. Provide a duct for the electrical cables and a drainage pipe.
5. Bury the foundation box in concrete, making sure it is set level.
6. Mount the control bracket on the box's stud along with the ball.
7. Set the gate leaf on the release lever and weld them securely.
8. Grease using a suitable grease nozzle.

3.3.2 - Installation of MFAB(...) Gearmotor

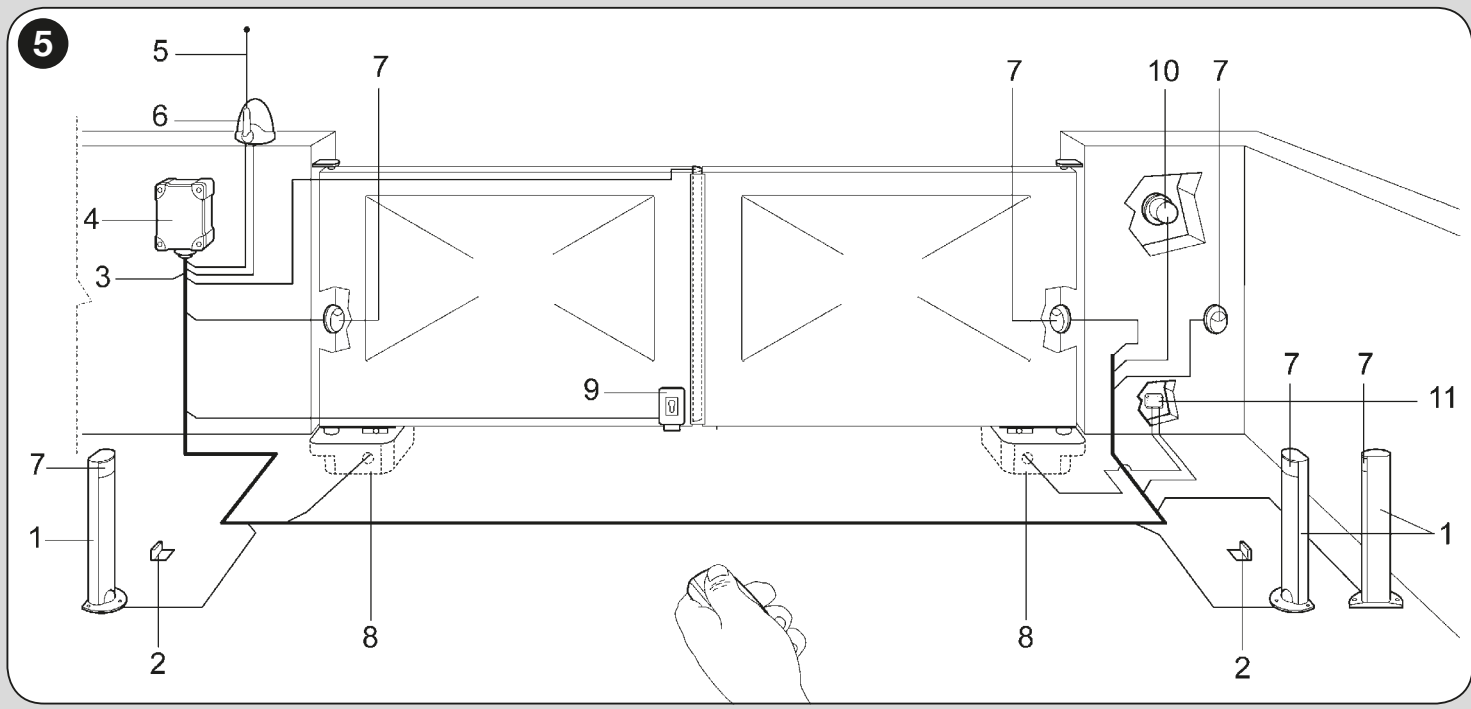
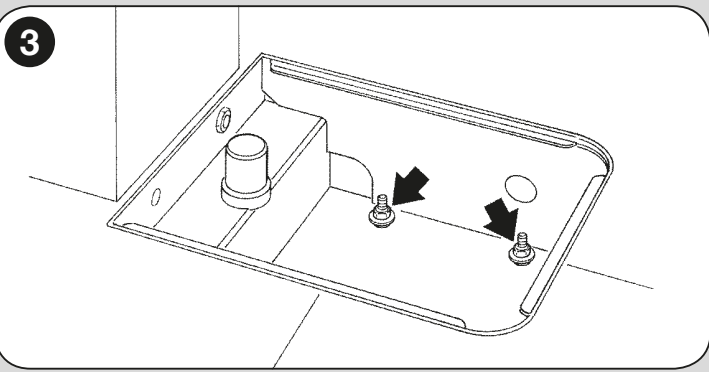
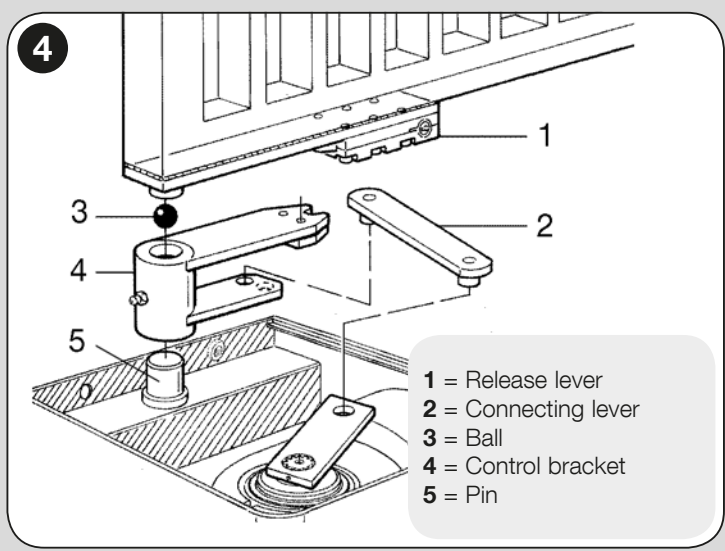
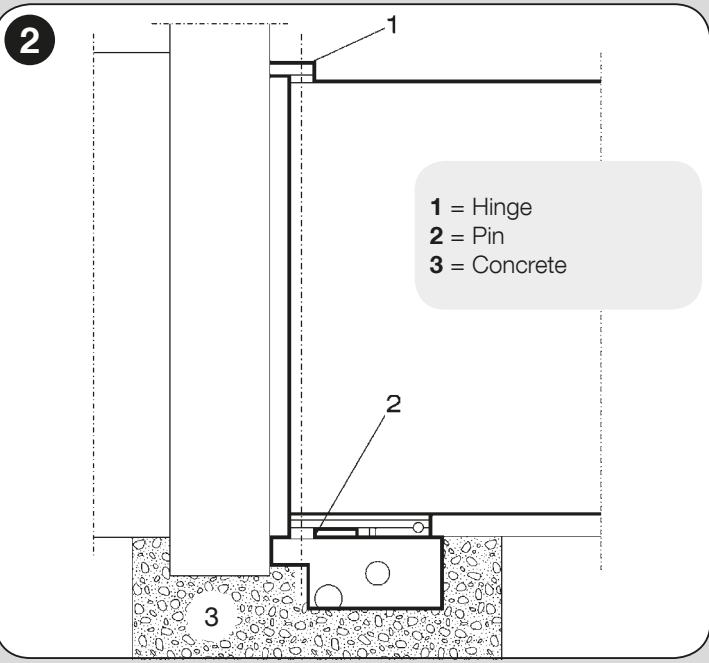
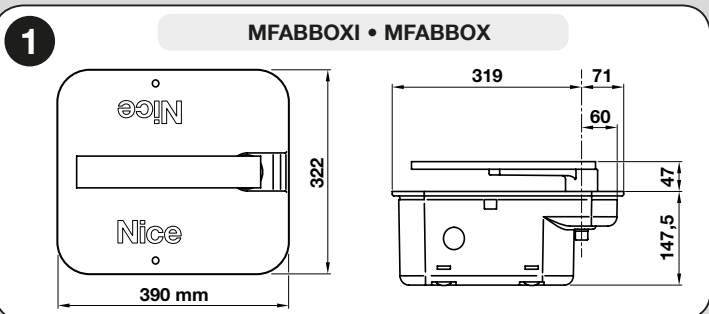
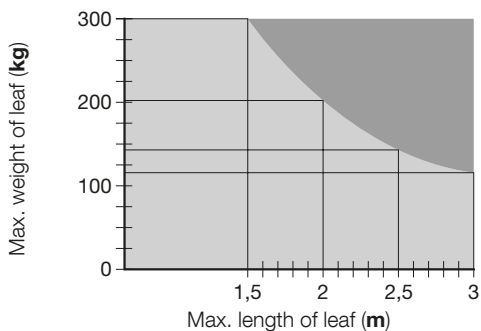
1. Remove the nuts and washers shown in the **fig. 3**.
2. Place the gearmotor inside the foundation box making sure it faces the correct direction.

GRAPH A

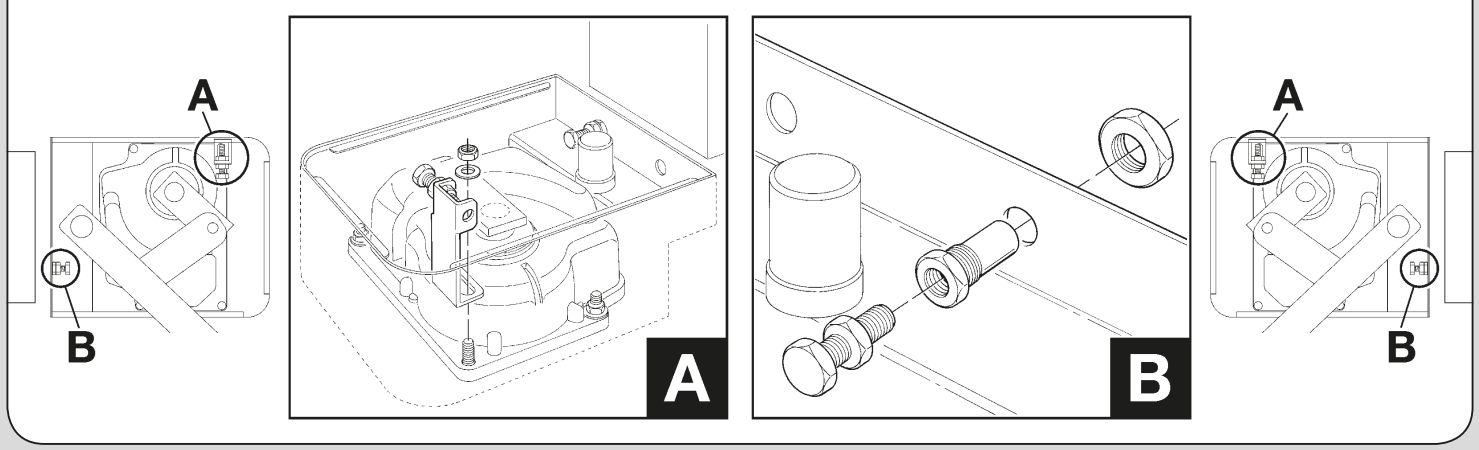
MFAB3000 • MFAB3010 • MFAB3000L • MFAB3000/110 • MFAB3024



MFAB3024HS



6 A - Closing limit switch (supplied with the motor). Mount as shown in the fig. A.
 B - Opening limit switch (supplied with the box). Mount as shown in the fig. B.



- 3. Slide the bracket for the closing limit switch into the appropriate hole (fig. 6).
- 4. Secure the gearmotor using the grower washers and the 4 self-locking nuts found in the accessories box.
- 5. Connect the gearmotor to the gate by means of the connecting lever (2) (fig. 4).

3.4 - Typical System (see fig. 5)

1 = Photocell post; 2 = Pair of opening stops; 3 = 230V line; 4 = Control panel (electrical panel); 5 = Aerial; 6 = Flashing light; 7 = Photocell; 8 = Box with MFAB(...) actuator; 9 = Vertical electric lock; 10 = Key-operated selector switch or digital keypad; 11 = Connector block (not supplied).

4 ELECTRIC CONNECTIONS

4.1(a) - For MFAB3000 and MFAB3010 connect the cables as follows:

WIRE	CONNECTION
Black wire	“Open” phase
Brown wire	“Close” phase
Blu wire	Common
Yellow/Green wire	Earth

4.1(b) - For MFAB3024 connect the cables as follows:

WIRE	CONNECTION
Blu wire	24 V motor power supply
Brown wire	24 V motor power supply
Black wire	Encoder
Grey wire	Encoder
Yellow/Green wire	Earth

WARNING! – The motors are equipped with a 2-meter cable. Making junctions inside the box IS FORBIDDEN. For any connections use only the appropriate connector block (not included) in order to ensure the safety of the system.

4.2 - Position of Limit Switches

See fig. 6.

5 INSPECTION AND COMMISSIONING

Testing of the entire system must be conducted by experienced and qualified personnel, who must establish what tests are necessary depending on the risks involved. To test MFAB(...) proceed as follows:
 1. close the gate; 2. disconnect the power supply to the control unit; 3. release the gearmotor from the gate leaf as shown in Chapter “Instructions and Warnings for Users of the Gearmotor”. 4. open the gate manually all the way; 5. make sure the gate opens and closes smoothly without any points of friction; 6. make sure that the gate, when stopped in any position and released, does not display a tendency to start moving again; 7. make sure that the safety systems and mechanical stops are in good working order; 8. make sure that the

screw connections are properly tightened; 9. clean the inside of the box and make sure that the drain operates properly; 10. when all the checks have been completed, re-connect the gearmotor and power the control unit; 11. MFAB(...) is not equipped with any torque adjustment device, therefore this operation is performed by the control unit; 12. measure the impact force as provided by the EN12453 and EN12445 standards.

6 PRODUCT MAINTENANCE

MFAB(...) does not require any special maintenance; however, routine checks conducted every six months at least will ensure the long life of the gearmotor as well as the correct and safe operation of the system.
Maintenance consists simply in repeating the testing procedure.

DISPOSAL OF THE PRODUCT

This product is an integral part of the automation, and therefore, they must be disposed of together.

As for the installation operations, at the end of the life of this product, the dismantling operations must be performed by qualified personnel. This product is made from different types of materials: some can be recycled, others must be disposed of. Please inform yourselves on the recycling or disposal systems provided for by the laws in force in your area, for this category of product.

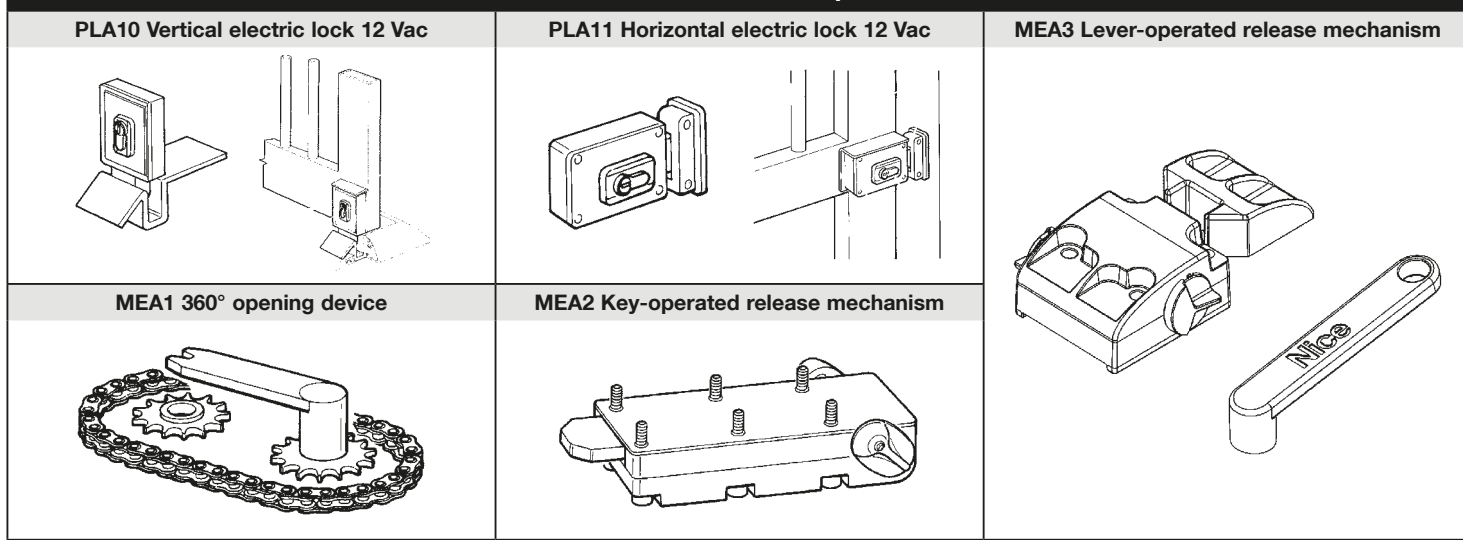
CAUTION! – some parts of the product can contain polluting or dangerous substances which, if dispersed in the environment, may cause serious harm to the environment and human health.

As indicated by the symbol at the side, it is forbidden to throw this product into domestic refuse. Therefore, follow the “separated collection” instructions for disposal, according to the methods provided for by local regulations in force, or redeliver the product to the retailer at the moment of purchase of a new, equivalent product.



CAUTION! – the regulations in force at local level may envisage heavy sanctions in case of abusive disposal of this product.

Accessories On Request



TECHNICAL FEATURES OF THE PRODUCT

CAUTIONS: • The technical features set out refer to an ambient temperature of 20°C (± 5°C). • Nice S.p.a. reserves the right to make alterations to the product any time it deems it necessary, keeping the same functionality and destination of use.

	MFAB3000	MFAB3010	MFAB3000L	MFAB3000/110	MFAB3024	MFAB3024HS
Power supply	230 Vac; 50 Hz	230 Vac; 50 Hz	230 Vac; 50 Hz	110 Vac; 60 Hz	24 Vdc	24 Vdc
Absorbed current	1.2 A	1.2 A	1.3 A	2.4 A	5 A	6 A
Absorbed power	250 W	250 W	300 W	250 W	120 W	170 W
Incorporated capacitor	10 uF	10 uF	10 uF	30 uF	—	—
Protection class	IP 67	IP 67	IP 67	IP 67	IP 67	IP 67
Speed	1.14 Rpm	1.14 Rpm	0.8 Rpm	1.4 Rpm	1.4 Rpm	2.6 Rpm
Torque	300 Nm	300 Nm	250 Nm	300 Nm	250 Nm	180 Nm
Operating temperature	-20 °C to +50 °C					
Thermal protection	140 °C	140 °C	140 °C	140 °C	—	—
Work cycle	30 %	40 %	30 %	30 %	80 %	80 %
Weight	11 kg	11.5 kg	11 kg	11 kg	11 kg	11 kg

CE declaration of conformity and declaration of incorporation for a “quasi-machine”

Declaration in accordance with Directives: 2014/30/UE (EMC); 2006/42/EC (MD) annex II, part B.

Note - The content of this declaration corresponds to the declaration made in the official document filed in the offices of Nice S.p.a., and particularly the latest version thereof available prior to the printing of this manual. The text contained here has been adapted to meet editorial requirements. A copy of the original declaration may be requested from Nice S.p.a. (TV) I.

Declaration number: **134/MFAB** Revision: **14** Language: **EN**

Name of manufacturer: NICE S.p.A.
Address: Via Pezza Alta N°13, 31046 Rustignè di Oderzo (TV) Italy.
Person authorized to provide technical documentation: NICE S.p.A. – Via Pezza Alta N°13, 31046 Rustignè di Oderzo (TV) Italy.
Product type: Electric gearmotor for swing gates.
Model / Type : MFAB3024, MFAB3000, MFAB3000L, MFAB3000/110, MFAB3010, MFAB3024HS
Accessories: No accessory.

The undersigned Roberto Griffa, as Chief Executive Officer, hereby declares under his own responsibility that the products identified above comply with the provisions of the following directives:

- DIRECTIVE 2014/30/UE OF THE EUROPEAN PARLIAMENT AND COUNCIL of February 26 2014 concerning alignment of Member States' legislation regarding electromagnetic compatibility (consolidated text), according to the following harmonized standards: EN 61000-6-2:2005; EN 61000-6-3:2007 + A1:2011.

The product also complies with the following directive in accordance with the requirements for “quasi-machines”:

- Directive 2006/42/EC OF THE EUROPEAN PARLIAMENT AND COUNCIL of May 17 2006 regarding machines and amending directive 95/16/EC (consolidated text).
- I declare that the pertinent technical documentation has been prepared in accord-

ance with Annex VII B to Directive 2006/42/EC and that the following essential requirements have been met:

- 1.1.1 - 1.1.2 - 1.1.3 - 1.2.1 -1.2.6 - 1.5.1 -1.5.2 - 1.5.5 - 1.5.6 - 1.5.7 - 1.5.8 - 1.5.10 - 1.5.11.

- The manufacturer agrees to send the national authorities pertinent information on the “quasi-machine” in response to a motivated request without affecting its intellectual property rights.
- If the “quasi-machine” is operated in a European country with an official language other than the language used in this declaration, the importer must associate a translation with this declaration.
- The “quasi-machine” must not be operated until the final machine in which it is to be incorporated is declared to conform to the provisions of Directive 2006/42/EC, if applicable to it.

The product also complies with the following standards: EN 60335-1:2002 + A1:2004 + A11:2004 + A12:2006 + A2:2006 + A13:2008 + A14:2010 + A15:2011; EN 60335-2-103:2003 + A11:2009.

The parts of the product which are subject to the following standards comply with them: EN 13241-1:2003 + A1:2011; EN 12445:2002; EN 12453:2002; EN 12978:2003 + A1:2009.

Oderzo, April 21 2016

Eng. **Roberto Griffa**
(Chief Executive Officer)

1 AVVERTENZE E PRECAUZIONI GENERALI PER LA SICUREZZA

AVVERTENZE GENERALI

- **ATTENZIONE! - Istruzioni importanti per la sicurezza. Seguire tutte le istruzioni poiché l'installazione non corretta può causare gravi danni.**
- **ATTENZIONE! - Istruzioni importanti per la sicurezza. Per la sicurezza delle persone è importante seguire queste istruzioni. Conservare queste istruzioni.**
- Prima di iniziare l'installazione verificare le "Caratteristiche tecniche del prodotto", in particolare se il presente prodotto è adatto ad automatizzare la vostra parte guidata. Se non è adatto, NON procedere all'installazione.
- Il prodotto non può essere utilizzato prima di aver effettuato la messa in servizio come specificato nel capitolo "Collaudo e messa in servizio".
- **ATTENZIONE! - Secondo la più recente legislazione europea, la realizzazione di un'automazione deve rispettare le norme armonizzate previste dalla Direttiva Macchine in vigore, che consentono di dichiarare la presunta conformità dell'automazione. In considerazione di ciò, tutte le operazioni di allacciamento alla rete elettrica, di collaudo, di messa in servizio e di manutenzione del prodotto devono essere effettuate esclusivamente da un tecnico qualificato e competente!**
- Prima di procedere con l'installazione del prodotto, verificare che tutto il materiale da utilizzare sia in ottimo stato ed adeguato all'uso.
- **ATTENZIONE! - Al fine di evitare ogni pericolo dovuto al riarmo accidentale del dispositivo termico di interruzione, questo apparecchio non deve essere alimentato con un dispositivo di manovra esterno, quale un temporizzatore, oppure essere connesso a un circuito che viene regolarmente alimentato o disalimentato dal servizio.**
- Nella rete di alimentazione dell'impianto prevedere un dispositivo di disconnessione (non in dotazione) con una distanza di apertura dei contatti che consenta la disconnessione completa nelle condizioni dettate dalla categoria di sovratensione III.
- Durante l'installazione maneggiare con cura il prodotto evitando schiacciamenti, urti, cadute o contatto con liquidi di qualsiasi natura. Non mettere il prodotto vicino a fonti di calore, né esporlo a fiamme libere. Tutte queste azioni possono danneggiarlo ed essere causa di malfunzionamenti o situazioni di pericolo. Se questo accade, sospendere immediatamente l'installazione e rivolgersi al Servizio Assistenza.
- Il produttore non si assume alcuna responsabilità per danni patrimoniali, a cose o a persone derivanti dalla non osservanza delle istruzioni di montaggio. In questi casi è esclusa la garanzia per difetti materiali.
- Il livello di pressione acustica dell'emissione ponderata A è inferiore a 70 dB(A).
- Prima degli interventi sull'impianto (manutenzione, pulizia), disconnettere sempre il prodotto dalla rete di alimentazione.
- Verificare frequentemente l'impianto, in particolare controllare i cavi, le molle e i supporti per rilevare eventuali sbilanciamenti e segni di usura o danni. Non usare se è necessaria una riparazione o una regolazione, poiché un guasto all'installazione o un bilanciamento della porta non corretto possono provocare lesioni.
- Il materiale dell'imballo del prodotto deve essere smaltito nel pieno rispetto della normativa locale.
- Tenere le persone lontane dalla porta quando questa viene movimentata mediante gli elementi di comando.
- Durante l'esecuzione della manovra controllare l'automazione e mantenere le persone lontano da essa, fino al termine del movimento.
- Non comandare il prodotto se nelle sue vicinanze ci sono persone che svolgono lavori sull'automazione; scollegate l'alimentazione elettrica prima di far eseguire questi lavori.
- Se il cavo di alimentazione è danneggiato, esso deve essere sostituito dal costruttore o dal suo servizio di assistenza tecnica o comunque da una persona con qualifica simile, in modo da prevenire ogni rischio.

AVVERTENZE INSTALLAZIONE

- Prima di installare il motore di movimentazione, controllare che tutti gli organi meccanici siano in buone condizioni, regolarmente bilanciati e che la porta possa essere manovrata correttamente.
- Se il cancello da automatizzare è dotato di una porta pedonale occorre predisporre l'impianto con un sistema di controllo che inibisca il funzionamento del motore quando la porta pedonale è aperta.
- Assicurarsi che gli elementi di comando siano tenuti lontani dagli organi in movimento consentendone comunque una visione diretta. A meno che non si utilizzino un selettore, gli elementi di comando vanno installati ad un'altezza minima di 1,5m e non devono essere accessibili.
- Prevenire ed evitare ogni forma di intrappolamento tra le parti in movimento e quelle fisse durante le manovre.
- Apporre in modo fisso e permanente l'etichetta riguardante la manovra manuale vicino all'elemento che consente la manovra stessa.
- Dopo aver installato il motore di movimentazione assicurarsi che il meccanismo, il sistema di protezione ed ogni manovra manuale funzionino correttamente.

2 DESCRIZIONE DEL PRODOTTO E DESTINAZIONE D'USO

MFAB(...) è un motoriduttore destinato all'automazione di un cancello ad una o due ante battenti. **ATTENZIONE! - Ogni uso, diverso da quanto sopra descritto, e in condizioni diverse da quanto previsto nel presente manuale è vietato.**

MFAB(...) funziona mediante energia elettrica, in caso di mancanza di alimentazione elettrica, è possibile sbloccare il cancello con apposite chiavi e muovere manualmente le ante.

3 INSTALLAZIONE

3.1 - Verifiche preliminari

Prima di procedere all'installazione è necessario verificare che la struttura sia idonea, in altre parole, conforme alle norme vigenti ed in particolare verificare che:

- il cancello non presenti punti d'attrito sia in chiusura sia in apertura;
- il cancello sia ben bilanciato, ossia, una volta fermato in una qualsiasi posizione non accenni a riprendere il moto;
- il cancello, nella sua corsa, sia silenzioso e regolare;
- la zona individuata per il fissaggio del motoriduttore consenta una manovra manuale facile e sicura;
- la confezione sia integra;
- verificare che la zona di fissaggio sia compatibile con l'ingombro della cassa (fig. 1);
- prevedere una battuta di arresto in chiusura e possibilmente anche in apertura.

ATTENZIONE! - Si ricorda che MFAB(...) motorizza un cancello (ad una o due ante) di per sé efficiente e sicuro e non sopprime i difetti causati da una sbagliata installazione, o da una cattiva manutenzione.

3.2 - Limiti d'impiego

La forma, l'altezza del cancello (es. cieco) e le condizioni climatiche (es. vento forte) possono ridurre anche notevolmente i valori riportati nel **Grafico A**.

Nota - Qualora il cancello superi i 2,5 m di lunghezza per ogni singola anta, si consiglia di installare una serratura elettrica (PLA10 oppure PLA11).

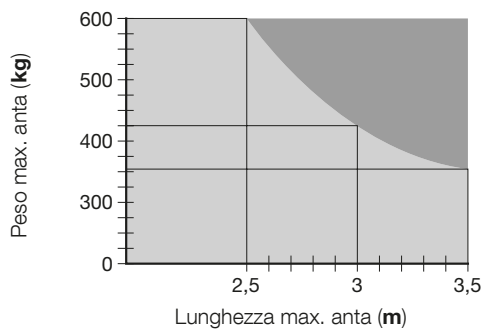
3.3 - Fissaggio

3.3.1 - Dimensioni d'ingombro e posizionamento della cassa di fondazione

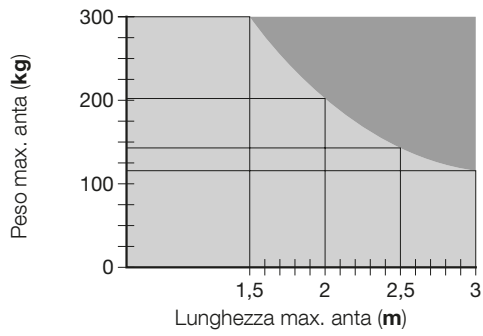
1. Eseguire in base alle dimensioni d'ingombro, uno scavo di fondazione, si consiglia di prevedere un buon drenaggio, in modo da evitare il ristagno dell'acqua.
2. Fissare alla cassa l'accessorio per il fincorsa di apertura seguendo attentamente le istruzioni della **fig. 6**, al fine di evitare un fissaggio errato.
3. Collocare la cassa all'interno dello scavo, con il perno allineato all'asse della cerniera (es. **fig. 2**).
4. Prevedere un condotto per i cavi elettrici ed uno per il drenaggio.
5. Annegare nel calcestruzzo la cassa di fondazione, curandone la messa in bolla ed il livello.
6. Inserire sul perno della cassa la staffa di comando, avendo cura di interporre la sfera in dotazione.
7. Appoggiare l'anta del cancello sulla leva di sblocco, e fissare con saldatura robusta.
8. Ingrassare mediante apposito ugello ingrassatore.

GRAFICO A

MFAB3000 • MFAB3010 • MFAB3000L • MFAB3000/110 • MFAB3024

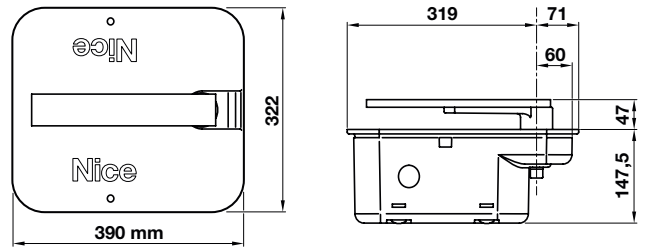


MFAB3024HS

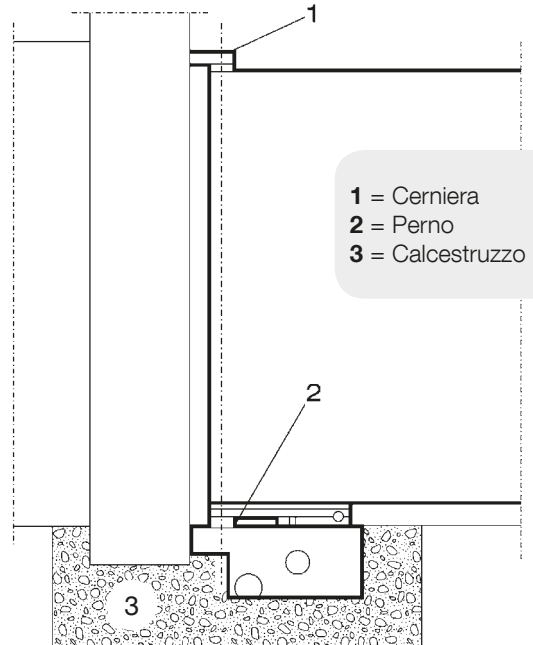


1

MFABBOXI • MFABBOX

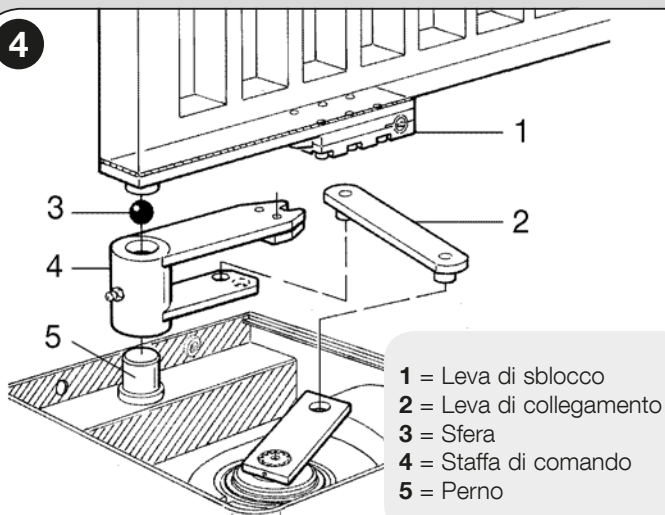


2



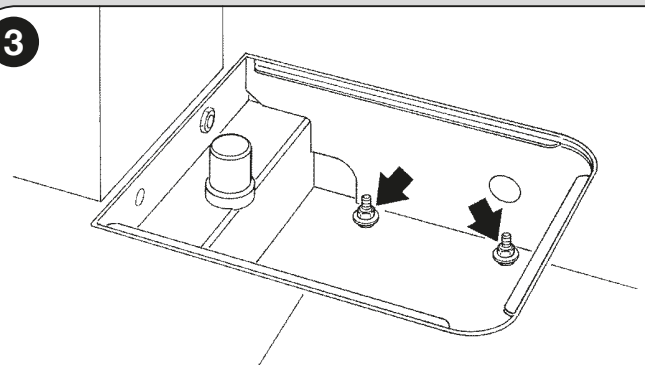
- 1 = Cerniera
- 2 = Perno
- 3 = Calcestruzzo

4

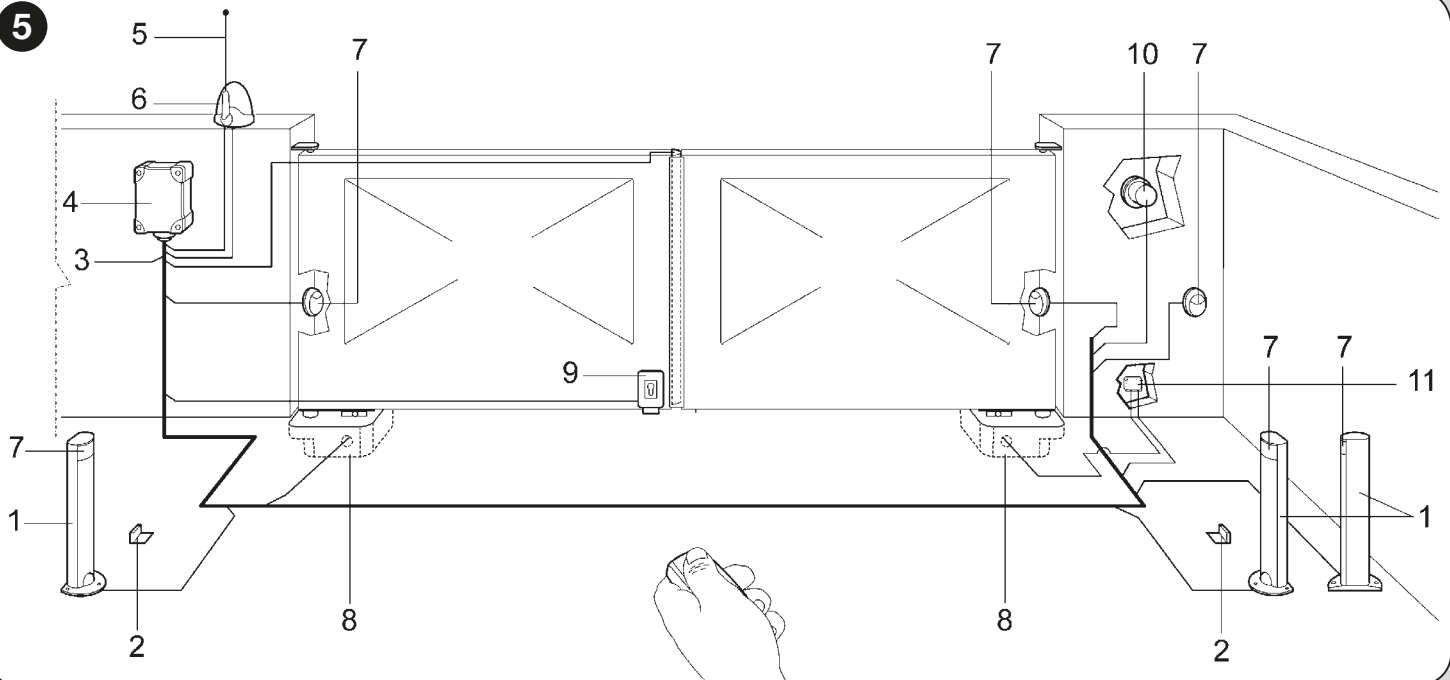


- 1 = Leva di sblocco
- 2 = Leva di collegamento
- 3 = Sfera
- 4 = Staffa di comando
- 5 = Perno

3



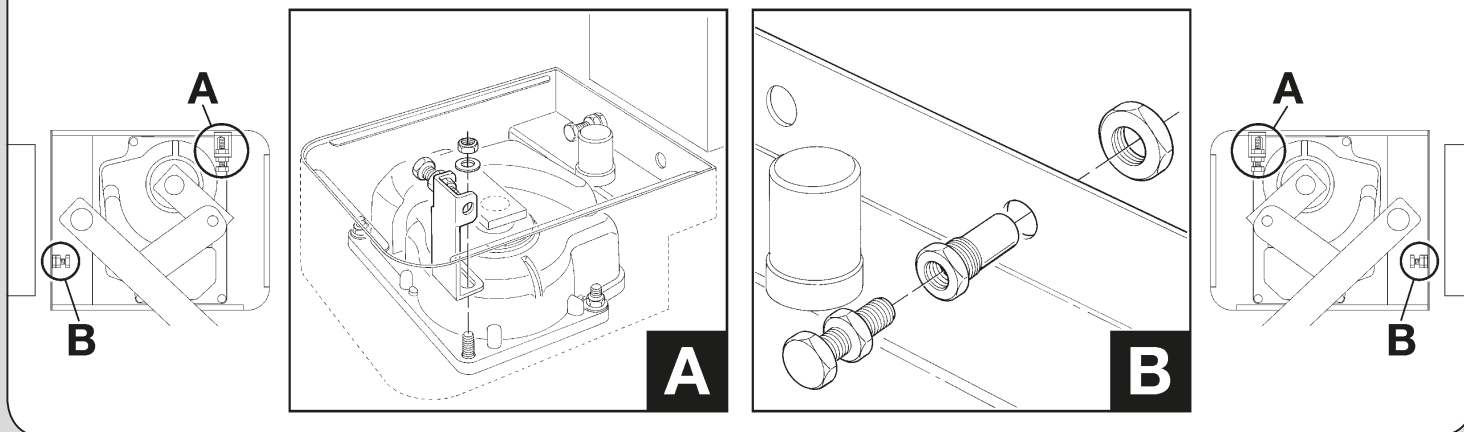
5



6

A - Finecorsa di chiusura (in dotazione al motore). Fissare come in fig. A.

B - Finecorsa di apertura (in dotazione alla cassa). Fissare come in fig. B.



3.3.2 - Installazione del motoriduttore MFAB(...)

1. Togliere i dadi e le rondelle indicati nella fig. 3.
2. Collocare il motoriduttore all'interno della cassa di fondazione assicurandosi che sia inserito nel verso giusto.
3. Fissare la staffa per il finecorsa di chiusura nell'apposito foro (fig. 6).
4. Bloccare il motoriduttore con le rondelle grower e i 4 dadi autobloccanti presenti nella scatola accessori.
5. Collegare con la leva di collegamento (2) il motoriduttore al cancello (fig. 4).

3.4 - Impianto tipico (vedere la fig. 5)

1 = Colonnina per fotocellula; 2 = Coppia di arresti in apertura; 3 = Linea 230 V; 4 = Quadro di comando (centralina elettrica); 5 = Antenna; 6 = Lampeggiante; 7 = Fotocellula; 8 = Cassa con attuatore MFAB(...); 9 = Elettroserratura verticale; 10 = Selettore a chiave o tastiera digitale; 11 = Scatola di derivazione (non fornita).

4 COLLEGAMENTI ELETTRICI

4.1(a) - Per il MFAB3000 e MFAB3010 collegare i cavi nel seguente modo:

FILO	COLLEGAMENTO
filo Nero	Fase "apre"
filo Marrone	Fase "chiude"
filo Blu	Comune
filo Giallo/Verde	Terra

4.1(b) - Per il MFAB3024 collegare i cavi nel seguente modo:

FILO	COLLEGAMENTO
filo Blu	Alimentazione motore 24 V
filo Marrone	Alimentazione motore 24 V
filo Nero	Encoder
filo Grigio	Encoder
filo Giallo/Verde	Terra

ATTENZIONE! - I motori dispongono di un cavo lungo 2 metri. E' VIETATO eseguire giunte all'interno della cassa, per eventuali collegamenti usare solamente l'apposita scatola di derivazione (non fornita), al fine di preservare la sicurezza dell'impianto.

4.2 - Posizionamento dei finecorsa

Vedere la fig. 6.

5 COLLAUDO E MESSA IN SERVIZIO

Il collaudo dell'intero impianto deve essere eseguito da personale esperto e qualificato che deve farsi carico delle prove richieste, in funzione del rischio presente.

Per il collaudo di MFAB(...) seguire questa procedura:

1. chiudere il cancello; 2. togliere alimentazione alla centrale; 3. sbloccare il motoriduttore dall'anta come indicato nel Capitolo "Istruzioni ed avvertenze destinate all'utilizzatore del motoriduttore"; 4. aprire manualmente il cancello per tutta la sua corsa; 5. verificare che il cancello durante il moto non abbia punti d'attrito; 6. verificare che il cancello fermato in qualsiasi punto e sbloccato, non accenni a muoversi; 7. verificare che i sistemi di sicurezza e gli arresti meccanici siano in buono stato; 8. verificare che i collegamenti a vite siano ben stretti; 9. ripulire l'interno della cassa e verificare che lo scarico dell'acqua funzioni correttamente; 10. terminare le verifiche ribloccare il motoriduttore e rialimentare la centrale; 11. MFAB(...) è sprovvisto di dispositivo di regolazione di coppia, pertanto tale regolazione è affidata alla centrale di comando; 12. misurare la forza d'impatto come previsto dalla normativa EN12453 ed EN12445.

6 MANUTENZIONE DEL PRODOTTO

La manutenzione di MFAB(...) non necessita di accorgimenti particolari, ma un controllo programmato almeno ogni sei mesi permette di ottenere una maggiore vita del motoriduttore ed un corretto e sicuro funzionamento del sistema. **La manutenzione consiste semplicemente nel ripetere la procedura di collaudo.**

SMALTIMENTO DEL PRODOTTO

Questo prodotto è parte integrante dell'automazione, e dunque, deve essere smaltito insieme con essa.

Come per le operazioni d'installazione, anche al termine della vita di questo prodotto, le operazioni di smantellamento devono essere eseguite da personale qualificato.

Questo prodotto è costituito da vari tipi di materiali: alcuni possono essere riciclati, altri devono essere smaltiti. Informatevi sui sistemi di riciclaggio o smaltimento previsti dai regolamenti vigenti sul vostro territorio, per questa categoria di prodotto.

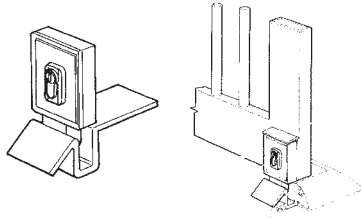
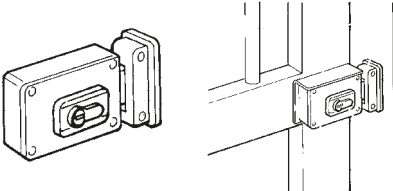
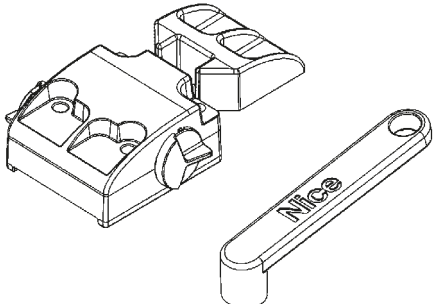
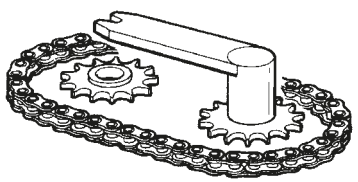
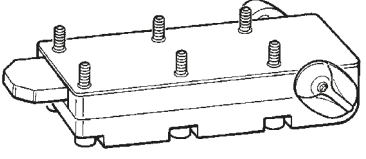
Attenzione! - alcune parti del prodotto possono contenere sostanze inquinanti o pericolose che, se disperse nell'ambiente, potrebbero provocare effetti dannosi sull'ambiente stesso e sulla salute umana.

Come indicato dal simbolo a lato, è vietato gettare questo prodotto nei rifiuti domestici. Eseguire quindi la "raccolta separata" per lo smaltimento, secondo i metodi previsti dai regolamenti vigenti sul vostro territorio, oppure riconsegnare il prodotto al venditore nel momento dell'acquisto di un nuovo prodotto equivalente.

Attenzione! - i regolamenti vigenti a livello locale possono prevedere pesanti sanzioni in caso di smaltimento abusivo di questo prodotto.



Accessori a richiesta

PLA10 Elettroserratura 12 Vca verticale 	PLA11 Elettroserratura 12 Vca orizzontale 	MEA3 Sblocco con apposita leva 
MEA1 Dispositivo per apertura a 360° 	MEA2 Sblocco con serratura 	

CARATTERISTICHE TECNICHE DEL PRODOTTO

AVVERTENZE: • Tutte le caratteristiche tecniche riportate, sono riferite ad una temperatura ambientale di 20°C (± 5°C). • Nice S.p.a. si riserva il diritto di apportare modifiche al prodotto in qualsiasi momento lo riterrà necessario, mantenendone comunque la stessa funzionalità e destinazione d'uso.

	MFAB3000	MFAB3010	MFAB3000L	MFAB3000/110	MFAB3024	MFAB3024HS
Alimentazione	230 Vac; 50 Hz	230 Vac; 50 Hz	230 Vac; 50 Hz	110 Vac; 60 Hz	24 Vdc	24 Vdc
Corrente assorbita	1.2 A	1.2 A	1.3 A	2.4 A	5 A	6 A
Potenza assorbita	250 W	250 W	300 W	250 W	120 W	170 W
Condensatore incorporato	10 uF	10 uF	10 uF	30 uF	—	—
Grado di protezione	IP 67	IP 67	IP 67	IP 67	IP 67	IP 67
Velocità	1.14 Rpm	1.14 Rpm	0.8 Rpm	1.4 Rpm	1.4 Rpm	2.6 Rpm
Coppia	300 Nm	300 Nm	250 Nm	300 Nm	250 Nm	180 Nm
Temperatura di funzionamento	da -20 °C a +50 °C					
Termoprotezione	140 °C	140 °C	140 °C	140 °C	—	—
Ciclo di lavoro	30 %	40 %	30 %	30 %	80 %	80 %
Peso	11 kg	11.5 kg	11 kg	11 kg	11 kg	11 kg

Dichiarazione CE di conformità e dichiarazione di incorporazione di "quasi macchina"

Dichiarazione in accordo alle Direttive: 2014/30/UE (EMC); 2006/42/CE (MD) allegato II, parte B.

Nota - Il contenuto di questa dichiarazione corrisponde a quanto dichiarato nel documento ufficiale depositato presso la sede di Nice S.p.a., e in particolare, alla sua ultima revisione disponibile prima della stampa di questo manuale. Il testo qui presente è stato riadattato per motivi editoriali. Copia della dichiarazione originale può essere richiesta a Nice S.p.a. (TV) I.

Numero dichiarazione: **134/MFAB** Revisione: **14** Lingua: **IT**

Nome produttore: NICE s.p.a.

Indirizzo: Via Pezza Alta N°13, 31046 Rustignè di Oderzo (TV) Italia.

Persona autorizzata a costituire la documentazione tecnica: NICE s.p.a. - Via Pezza Alta N°13, 31046 Rustignè di Oderzo (TV) Italia.

Tipo di prodotto: Motoriduttore elettromeccanico per cancelli a battente.

Modello / Tipo: MFAB3024, MFAB3000, MFAB3000L, MFAB3000/110, MFAB3010, MFAB3024HS

Accessori: Nessun accessorio.

Il sottoscritto Roberto Griffa, in qualità di Amministratore Delegato, dichiara sotto la propria responsabilità che i prodotti sopra indicati risultano conformi alle disposizioni imposte dalle seguenti direttive:

- DIRETTIVA 2014/30/UE DEL PARLAMENTO EUROPEO E DEL CONSIGLIO del 26 febbraio 2014 concernente il ravvicinamento delle legislazioni degli Stati membri relative alla compatibilità elettromagnetica (rifusione), secondo le seguenti norme armonizzate: EN 61000-6-2:2005; EN 61000-6-3:2007 + A1:2011.

Inoltre il prodotto risulta essere conforme alla seguente direttiva secondo i requisiti previsti per le "quasi macchine":

- Direttiva 2006/42/CE DEL PARLAMENTO EUROPEO E DEL CONSIGLIO del 17 maggio 2006 relativa alle macchine e che modifica la direttiva 95/16/CE (rifusione).
- Si dichiara che la documentazione tecnica pertinente è stata compilata in conformi-

tà all'allegato VII-B della direttiva 2006/42/CE e che sono stati rispettati i seguenti requisiti essenziali:

1.1.1 - 1.1.2 - 1.1.3 - 1.2.1 - 1.2.6 - 1.5.1 - 1.5.2 - 1.5.5 - 1.5.6 - 1.5.7 - 1.5.8 - 1.5.10 - 1.5.11.

- Il produttore si impegna a trasmettere alle autorità nazionali, in risposta ad una motivata richiesta, le informazioni pertinenti sulla "quasi macchina", mantenendo impreggiudicati i propri diritti di proprietà intellettuale.
- Qualora la "quasi macchina" sia messa in servizio in un paese europeo con lingua ufficiale diversa da quella usata nella presente dichiarazione, l'importatore ha l'obbligo di associare alla presente dichiarazione la relativa traduzione.
- Si avverte che la "quasi macchina" non dovrà essere messa in servizio finché la macchina finale in cui sarà incorporata non sarà a sua volta dichiarata conforme, se del caso, alle disposizioni della direttiva 2006/42/CE.

Inoltre il prodotto risulta conforme alle seguenti norme: EN 60335-1:2002 + A1:2004 + A11:2004 + A12:2006 + A2:2006 + A13:2008 + A14:2010 + A15:2011; EN 60335-2-103:2003 + A11:2009.

Il prodotto risulta conforme, limitatamente alle parti applicabili, alle seguenti norme: EN 13241-1:2003 + A1:2011; EN 12445:2002; EN 12453:2002; EN 12978:2003 + A1:2009.

Oderzo, 21 Aprile 2016

Ing. **Roberto Griffa**
(Amministratore Delegato)



1 MISES EN GARDE ET PRÉCAUTIONS GÉNÉRALES DE SÉCURITÉ

INSTRUCTIONS GÉNÉRALES

- **ATTENTION ! - Instructions importantes pour la sécurité. Il est important de suivre toutes les instructions fournies étant donné qu'une installation incorrecte est susceptible de provoquer des dommages graves.**
- **ATTENTION ! - Instructions importantes pour la sécurité. Pour la sécurité des personnes, il est important de respecter ces consignes. Conserver ces consignes.**
- Avant de commencer l'installation, vérifiez les « Caractéristiques techniques du produit » (dans ce manuel) en vous assurant notamment qu'il est bien adapté à l'automatisation de votre pièce guidée. Dans le cas contraire, vous NE devez PAS procéder à l'installation.
- Le produit ne peut être utilisé qu'après la mise en service effectuée selon les instructions du chapitre « Essai et mise en service ».
- **ATTENTION ! - Conformément à la législation européenne actuelle, la réalisation d'un automatisme implique le respect des normes harmonisées prévues par la Directive Machines en vigueur, qui permettent de déclarer la conformité présumée de l'automatisme. De ce fait, toutes les opérations de branchement au secteur électrique, d'essai, de mise en service et de maintenance du produit doivent être effectuées exclusivement par un technicien qualifié et compétent !**
- Avant l'installation du produit, s'assurer que tout le matériel à utiliser est en excellent état et adapté à l'usage prévu.
- **ATTENTION ! - Afin d'éviter tout danger dû au réarmement accidentel du disjoncteur, cet appareil ne doit pas être alimenté par le biais d'un dispositif de manœuvre externe (ex. : temporisateur) ou bien être connecté à un circuit régulièrement alimenté ou déconnecté par la ligne.**
- Prévoir dans le réseau d'alimentation de l'installation un dispositif de déconnexion (non fourni) avec une distance d'ouverture des contacts qui permette la déconnexion complète dans les conditions dictées par la catégorie de surtension III.
- Pendant l'installation, manipuler le produit avec soin en évitant tout écrasement, choc, chute ou contact avec des liquides de quelque nature que ce soit. Ne pas positionner le produit près de sources de chaleur, ni l'exposer à des flammes nues. Toutes ces actions peuvent l'endommager et créer des dysfonctionnements ou des situations de danger. Le cas échéant, suspendre immédiatement l'installation et s'adresser au service après-vente.
- Le fabricant décline toute responsabilité en cas de dommages patrimoniaux causés à des biens ou à des personnes dérivant du non-respect des instructions de montage. Dans ces cas, la garantie pour défauts matériels est exclue.
- Le niveau de pression acoustique d'émission pondérée A est inférieur à 70 dB(A).
- Avant toute intervention (maintenance, nettoyage), il faut toujours débrancher le produit du secteur.
- Contrôler fréquemment l'installation, en particulier les câbles, les ressorts et les supports pour repérer d'éventuels déséquilibres et signes d'usure ou de dommages. Ne pas utiliser l'installation en cas de réparations ou de réglages nécessaires étant donné qu'une panne ou un mauvais équilibre de l'automatisme peut provoquer des blessures.
- Les matériaux de l'emballage du produit doivent être mis au rebut dans le plein respect des normes locales en vigueur.
- Éloigner les personnes de la porte lors de son actionnement au moyen des éléments de commande.
- Durant cette opération, contrôler l'automatisme et s'assurer que les personnes restent bien à une distance de sécurité jusqu'à la fin de la manœuvre.
- Ne pas activer le produit lorsque des personnes effectuent des travaux sur l'automatisme ; débrancher l'alimentation électrique avant

de permettre la réalisation de ces travaux.

- Tout câble d'alimentation détérioré doit être remplacé par le fabricant, ou par son service d'assistance technique, ou par un technicien possédant son même niveau de qualification, de manière à prévenir tout risque.

INSTRUCTIONS D'INSTALLATION

- Avant d'installer la motorisation, il faut éliminer tout câble inutile et mettre hors service tout appareil n'étant pas nécessaire au fonctionnement motorisé.
- Si le portail à automatiser est équipé d'une porte piétonne, préparer l'installation avec un système de contrôle qui désactive le fonctionnement du moteur lorsque la porte piétonne est ouverte.
- S'assurer que les éléments de commande sont bien à l'écart des organes en mouvement tout en restant directement visibles. Sous réserve de l'utilisation d'un sélecteur, les éléments de commande doivent être installés à une hauteur minimale de 1,5 m et ne doivent pas être accessibles.
- Prévenir et éviter toute possibilité de coincement entre les parties en mouvement et les parties fixes durant les manœuvres.
- Apposer de façon fixe et définitive l'étiquette concernant la manœuvre manuelle près de l'élément qui la permet.
- Après l'installation de la motorisation s'assurer que le mécanisme, le système de protection et toute manœuvre manuelle fonctionnent correctement.

2 DESCRIPTION DU PRODUIT ET DESTINATION

MFAB(...) est un opérateur destiné à l'automatisation d'un portail à un ou deux battants. **ATTENTION ! - Toute utilisation autre que celle qui est décrite et dans des conditions différentes de celles qui sont prévues dans le présent manuel est interdite.**

MFAB(...) fonctionne au moyen de l'énergie électrique ; en cas de coupure de courant, il est possible de débrayer l'opérateur grâce aux clés prévues à cet effet et de déplacer manuellement les battants.

3 INSTALLATION

3.1 - Contrôles préliminaires

Avant de procéder à l'installation, vérifier que la structure est adaptée, en d'autres termes, vérifier qu'elle est conforme aux normes en vigueur, en particulier, vérifier que : • le portail ne présente pas de points de frottement aussi bien en fermeture qu'en ouverture ; • le portail est bien équilibré, c'est-à-dire que, quelle que soit la position dans laquelle il s'arrête, il n'a pas tendance à redémarrer ; • le portail, durant sa course, est silencieux et que le mouvement est régulier ; • la zone identifiée pour la fixation de l'opérateur permet une manœuvre facile et sûre ; • l'emballage est intègre ; • vérifier que la zone de fixation est compatible avec l'encombrement de la caisse (fig.1) ; • prévoir une butée d'arrêt en fermeture mais aussi, si possible, en ouverture.

ATTENTION ! - Rappelons que MFAB(...) motorise un portail (à un ou deux battants) en état de marche et sûr et ne résout pas les défauts causés par une installation incorrecte ou par une maintenance insuffisante.

3.2 - Limites d'utilisation

La forme et la hauteur du portail (ex. plein) ainsi que les conditions climatiques (ex. : vent fort) peuvent parfois réduire considérablement les valeurs indiquées sur le **Graphique A**.

Note – Si le portail dépasse 2,5 m de longueur pour chaque battant, il est conseillé d'installer une serrure électrique (PLA10 ou PLA11).

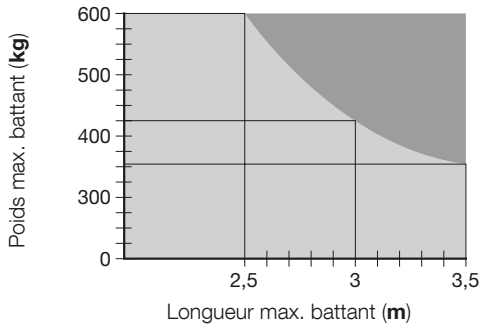
3.3 - Fixation

3.3.1 - Dimensions d'encombrement et positionnement de la caisse de fondation

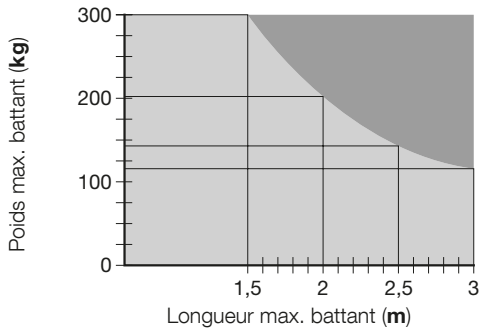
1. Réaliser, en fonction des dimensions d'encombrement, une tranchée de fondation ; il est conseillé de prévoir un bon drainage de manière à éviter toute stagnation d'eau.
2. Fixer à la caisse l'accessoire pour le fin de course d'ouverture en suivant attentivement les instructions de la **fig. 6**, afin d'éviter toute erreur dans la fixation.
3. Placer la caisse à l'intérieur du trou avec le pivot aligné avec l'axe de la

GRAPHIQUE A

MFAB3000 • MFAB3010 • MFAB3000L • MFAB3000/110 • MFAB3024

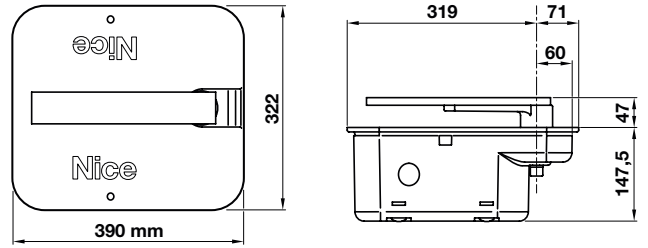


MFAB3024HS

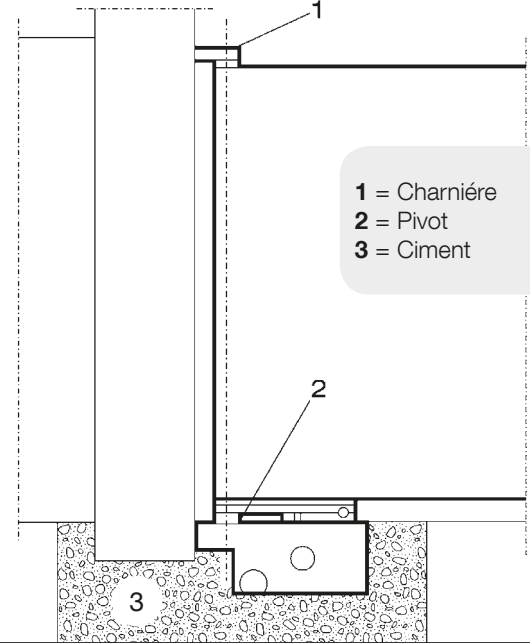


1

MFABBOXI • MFABBOX

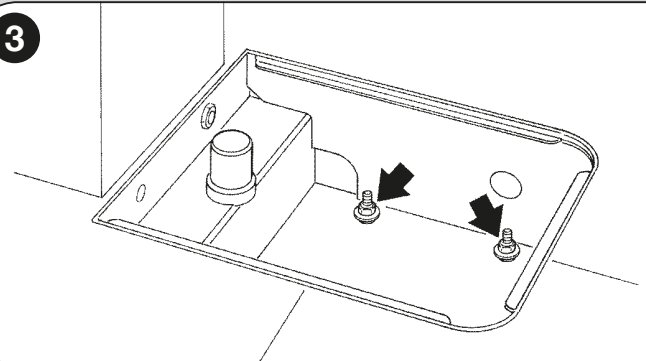


2

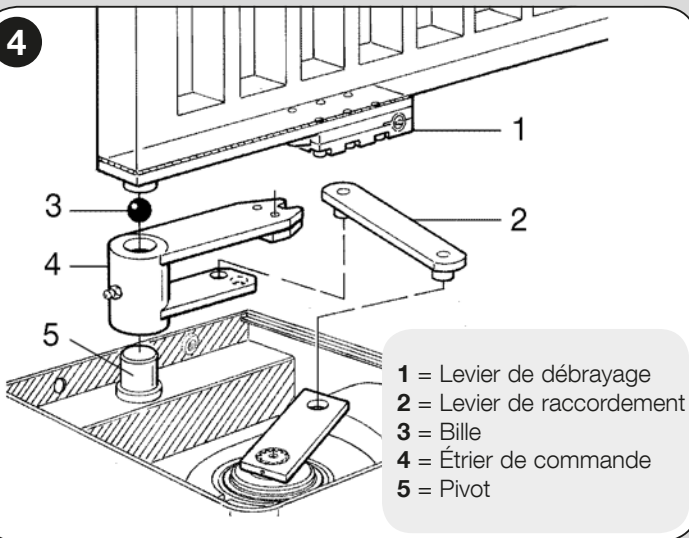


- 1 = Charnière
- 2 = Pivot
- 3 = Ciment

3

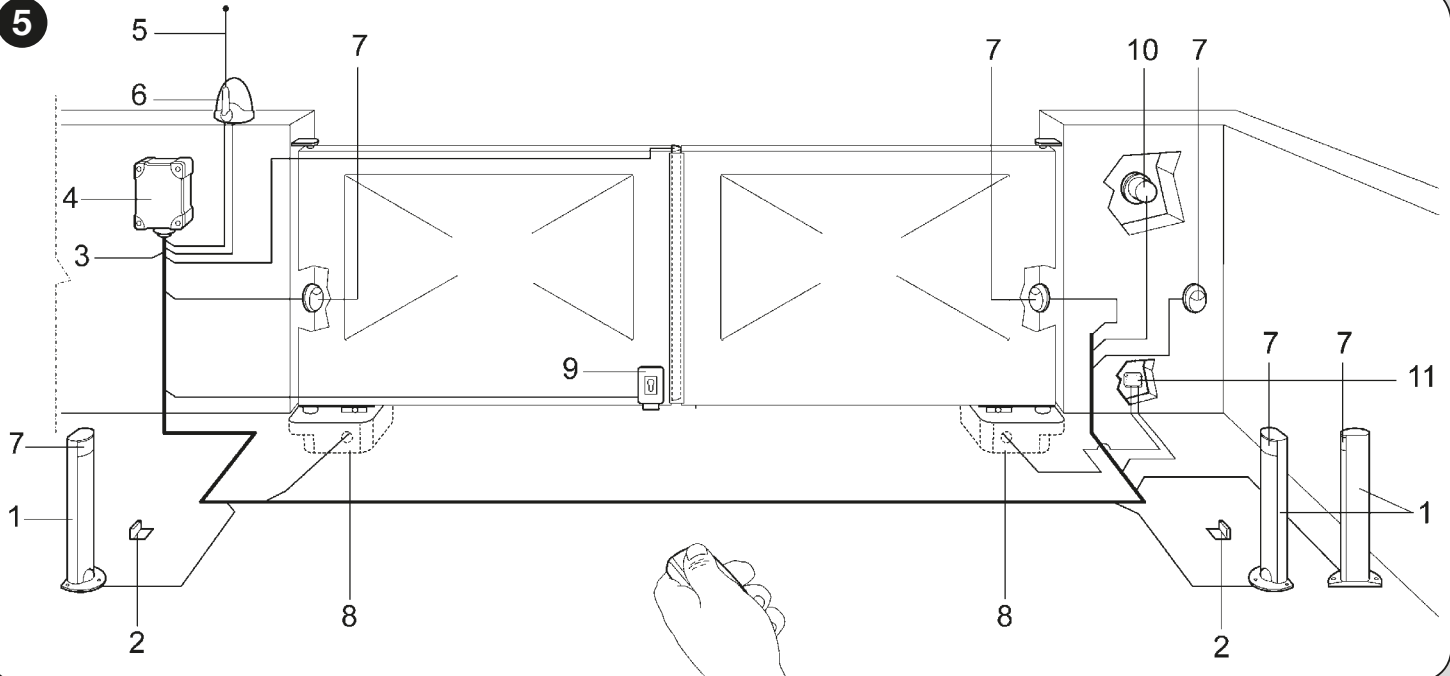


4



- 1 = Levier de débrayage
- 2 = Levier de raccordement
- 3 = Bille
- 4 = Étrier de commande
- 5 = Pivot

5

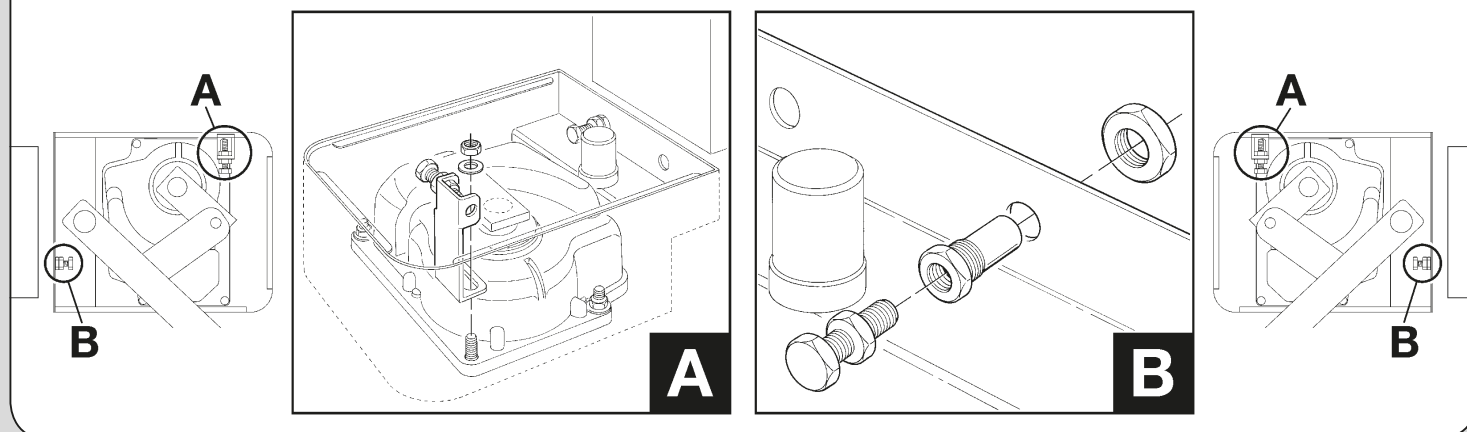


FR

6

A - Fin de course de fermeture (forni avec le moteur). Fixer comme indiqué sur la fig. A.

B - Fin de course de ouverture (forni avec la caisse). Fixer comme indiqué sur la fig. B.



charnière (fig. 2).

4. Prévoir un conduit pour les câbles électriques et un autre pour le drainage.
5. Noyer dans le béton la caisse de fondation en vérifiant sa mise à niveau.
6. Positionner sur le pivot de la caisse le etrier de commande en veillant à interposer la bille fournie.
7. Poser la battant du portail sur le levier de débrayage et fixer avec une sou-dure robuste.
8. Graisser au moyen de la buse de graissage.

3.3.2 - Installation de l'opérateur MFAB(...)

1. Enlever les écrous et les rondelles indiqués sur la fig. 3.
2. Placer l'opérateur à l'intérieur de la caisse de fondation en veillant à le positionner dans le bon sens.
3. Fixer la patte pour le fin de course de fermeture dans le trou prévu à cet effet (fig. 6).
4. Bloquer l'opérateur avec les rondelles Grower et les 4 écrous autofreinés présents dans la boîte des accessoires.
5. Raccorder l'opérateur au portail avec le levier de raccordement (2) (fig. 4).

3.4 - Installation typique (voir la fig. 5)

1 = Colonnnette pour photocellule ; 2 = Couple d'arrêts en ouverture ; 3 = Ligne 230 V ; 4 = Armoire de commande (armoire électrique) ; 5 = Antenne ; 6 = Clignotant ; 7 = Photocellule ; 8 = Caisse avec opérateur MFAB(...); 9 = Serrure électrique verticale ; 10 = Sélecteur à clef ou clavier numérique ; 11 = Boîte de dérivation (non fournie).

4 RACCORDEMENTS ÉLECTRIQUES

4.1(a) - Pour les modèles MFAB3000 et MFAB3010, brancher les câbles comme suit:

FIL	RACCORDEMENT
fil Noir	Phase « ouverture »
fil Marron	Phase « fermeture »
fil Bleu	Commun
fil Jaune/Vert	Terre

4.1(b) - Pour le modèle MFAB3024, brancher les câbles comme suit:

FIL	RACCORDEMENT
fil Bleu	Alimentation moteur 24 V
fil Marron	Alimentation moteur 24 V
fil Noir	Encodeur
fil Gris	Encodeur
fil Jaune/Vert	Terre

ATTENTION ! - Les moteurs disposent d'un câble de 2 mètres de longueur. **IL EST INTERDIT** d'effectuer des jonctions à l'intérieur de la caisse; pour les éventuels branchements, utiliser uniquement la boîte de dérivation (non fournie) afin de garantir la sécurité de l'installation.

4.2 - Positionnement des fins de course

Voir la fig. 6.

5 TEST ET MISE EN SERVICE

L'essai de toute l'installation doit être effectuée par du personnel qualifié et expérimenté qui devra se charger d'établir les essais prévus en fonction des risques présents. Pour l'essai de MFAB(...), suivre cette procédure :

1. fermer le portail ; 2. couper l'alimentation sur la logique de commande ; 3. débrayer l'opérateur en libérant le battant comme il est indiqué dans le Chapitre "Instructions et recommandations destinées à l'utilisateur de l'opérateur" ; 4. ouvrir manuellement le portail sur toute sa course ; 5. vérifier que le portail ne présente pas de points de frottement durant le mouvement ; 6. vérifier que le portail arrêté dans n'importe quelle position et débrayé n'a pas tendance à se déplacer ; 7. vérifier que les systèmes de sécurité et les arrêts mécaniques sont en bon état ; 8. vérifier que les raccordements à vis sont bien serrés ; 9. nettoyer l'intérieur de la caisse et vérifier que l'évacuation de l'eau fonctionne correctement ; 10. quand les vérifications sont terminées, rebloquer l'opérateur et réalimenter la logique de commande ; 11. MFAB(...) n'est pas équipé du dispositif de réglage du couple, ce réglage est donc assuré par la logique de commande ; 12. mesurer la force d'impact comme le prévoit la réglementation EN12453 et EN12445.

6 MAINTENANCE DU PRODUIT

La maintenance de MFAB(...) ne requiert pas d'opérations particulières mais un contrôle programmé au moins tous les six mois permet de garantir à l'opérateur une plus longue durée et d'assurer un fonctionnement correct et sûr du système.

La maintenance consiste simplement à répéter la procédure de contrôle.

ÉLIMINATION DU PRODUIT

Ce produit fait partie intégrante de l'automatisme et comme tel doit être éliminé avec celui-ci.

Comme pour les opérations d'installation, à la fin de la vie de ce produit, les opérations de démantèlement doivent elles aussi être accomplies par un personnel qualifié.

Ce produit est composé de différents types de matériaux: certains peuvent être recyclés alors que d'autres doivent être éliminés. Informez-vous à propos des systèmes de recyclage ou d'élimination prévus par les règlements en vigueur sur votre territoire pour cette catégorie de produit.

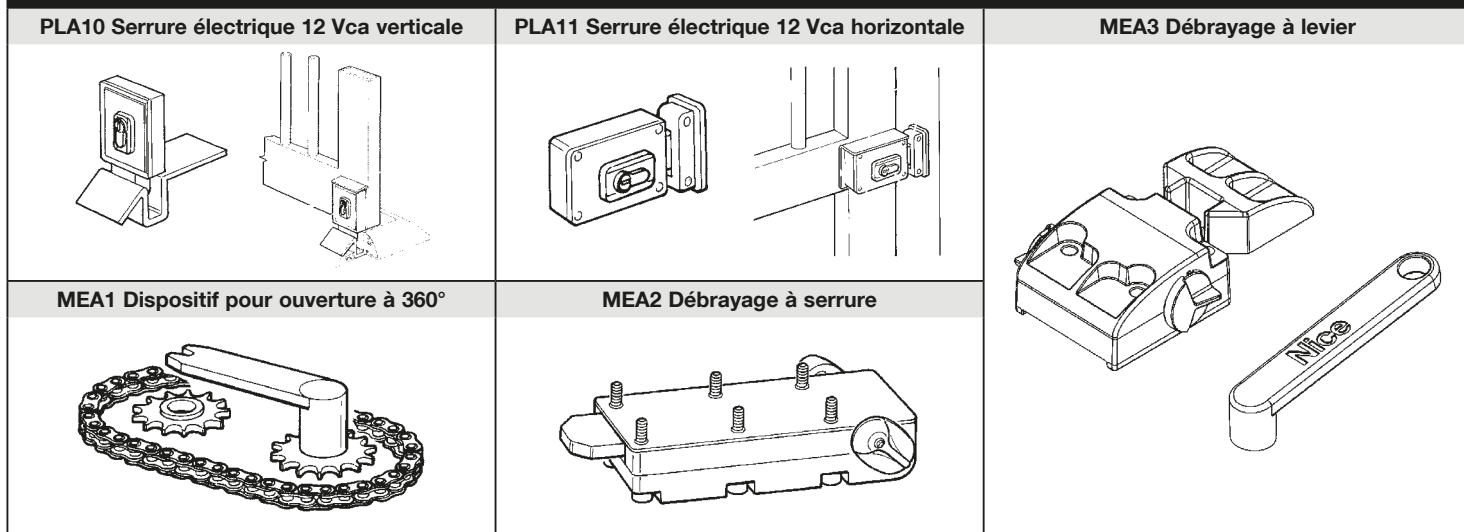
Attention! - certaines parties du produit peuvent présenter des substances polluantes ou dangereuses qui, si elles sont jetées dans la nature, pourraient avoir des effets nuisibles sur l'environnement et la santé humaine.

Comme cela est indiqué par le symbole ci-contre, il est interdit de jeter ce produit avec les déchets ménagers. Procédez donc à un "tri sélectif" en vue de son élimination en respectant les méthodes prévues par les règlements en vigueur sur votre territoire ou bien remettre le produit au vendeur lors de l'achat d'un nouveau produit équivalent.

Attention! - les règlements en vigueur au niveau local peuvent prévoir de lourdes sanctions en cas d'élimination abusive de ce produit.



Accessoires sur demande



CARACTÉRISTIQUES TECHNIQUES DU PRODUIT

AVERTISSEMENT: • Toutes les caractéristiques techniques indiquées se réfèrent à une température ambiante de 20°C (± 5°C). • Nice S.p.a. se réserve le droit d'apporter des modifications à ce produit à tout moment dès lors qu'elle le jugera nécessaire, à condition que sa fonctionnalité et sa finalité d'utilisation restent inchangées.

	MFAB3000	MFAB3010	MFAB3000L	MFAB3000/110	MFAB3024	MFAB3024HS
Alimentation	230 Vac; 50 Hz	230 Vac; 50 Hz	230 Vac; 50 Hz	110 Vac; 60 Hz	24 Vdc	24 Vdc
Courant absorbé	1.2 A	1.2 A	1.3 A	2.4 A	5 A	6 A
Puissance absorbée	250 W	250 W	300 W	250 W	120 W	170 W
Condensateur incorporé	10 uF	10 uF	10 uF	30 uF	—	—
Degré de protection	IP 67	IP 67	IP 67	IP 67	IP 67	IP 67
Vitesse	1.14 Rpm	1.14 Rpm	0.8 Rpm	1.4 Rpm	1.4 Rpm	2.6 Rpm
Couple	300 Nm	300 Nm	250 Nm	300 Nm	250 Nm	180 Nm
Température de service	de -20 °C à +50 °C					
Protection thermique	140 °C	140 °C	140 °C	140 °C	—	—
Cycle de travail	30 %	40 %	30 %	30 %	80 %	80 %
Poids	11 kg	11.5 kg	11 kg	11 kg	11 kg	11 kg

Déclaration CE de conformité et déclaration d'incorporation de « quasi-machine »

Déclaration conforme aux Directives : 2014/30/UE (EMC); 2006/42/CE (MD) annexe II, partie B.

Note - Le contenu de cette déclaration correspond à ce qui a été déclaré dans le document officiel déposé au siège social de Nice S.p.A. et, en particulier, à la dernière mise à jour disponible avant l'impression de ce manuel. Le présent texte a été réadapté pour raisons d'édition. Une copie de la déclaration originale peut être demandée à Nice S.p.a. (TV) - Italie.

Numéro de déclaration : **134/MFAB** Révision : **14** Langue : **FR**

Nom du fabricant : NICE s.p.a.

Adresse : Via Pezza Alta N°13, 31046 Rustignè di Oderzo (TV) Italie.

Personne autorisée à constituer la documentation technique : NICE s.p.a. - Via Pezza Alta N°13, 31046 Rustignè di Oderzo (TV) Italie.

Type de produit : Opérateur électromécanique pour portails battants.

Modèle / Type : MFAB3024, MFAB3000, MFAB3000L, MFAB3000/110, MFAB3010, MFAB3024HS

Accessoires : Aucun accessoire.

Le soussigné Roberto Griffa, en qualité de Chief Executive Officer, déclare sous son entière responsabilité que les produits sus-indiqués sont conformes aux dispositions prescrites par les directives suivantes :

- DIRECTIVE 2014/30/UE DU PARLEMENT EUROPÉEN ET DU CONSEIL du 26 février 2014 relative au rapprochement des législations des États membres concernant la compatibilité électromagnétique (refonte), selon les normes harmonisées suivantes : EN 61000-6-2:2005; EN 61000-6-3:2007 + A1:2011.

En outre, le produit s'avère conforme à la Directive ci-après selon les conditions essentielles requises pour les « quasi-machines » :

- Directive 2006/42/CE DU PARLEMENT EUROPÉEN ET DU CONSEIL du 17 mai 2006 relative aux machines et modifiant la Directive 95/16/CE (refonte).

— Nous déclarons que la documentation technique pertinente a été remplie confor-

mément à l'Annexe VII B de la Directive 2006/42/CE et que les conditions essentielles suivantes ont été respectées :

1.1.1 - 1.1.2 - 1.1.3 - 1.2.1 - 1.2.6 - 1.5.1 - 1.5.2 - 1.5.5 - 1.5.6 - 1.5.7 - 1.5.8 - 1.5.10 - 1.5.11.

- Le fabricant s'engage à transmettre aux autorités nationales, en réponse à une demande motivée, les renseignements pertinents sur la « quasi-machine », sans préjudice de ses droits de propriété intellectuelle.
- Si la « quasi-machine » est mise en service dans un pays européen dont la langue officielle est différente de celle employée dans la présente déclaration, l'importateur est tenu d'accompagner la présente déclaration de la traduction et afférente.
- Nous avertissons que la « quasi-machine » ne devra pas être mise en service tant que la machine finale à laquelle elle sera incorporée n'aura pas à son tour été déclarée conforme, s'il y a lieu, aux dispositions de la Directive 2006/42/CE.

En outre, le produit s'avère conforme aux normes suivantes : EN 60335-1:2002 + A1:2004 + A11:2004 + A12:2006 + A2:2006 + A13:2008 + A14:2010 + A15:2011; EN 60335-2-103:2003 + A11:2009.

Le produit s'avère conforme, limitativement aux parties applicables, aux normes suivantes : EN 13241-1:2003 + A1:2011; EN 12445:2002; EN 12453:2002; EN 12978:2003 + A1:2009.

Oderzo, le 21 avril 2016

Ing. **Roberto Griffa**
(Chief Executive Officer)



1 ADVERTENCIAS Y PRECAUCIONES GENERALES PARA LA SEGURIDAD

ADVERTENCIAS GENERALES

- **¡ATENCIÓN!** - Instrucciones importantes para la seguridad. Seguir todas las instrucciones: una instalación incorrecta puede provocar daños graves.
- **¡ATENCIÓN!** - Instrucciones importantes para la seguridad. Para la seguridad de las personas es importante seguir estas instrucciones. Conservar estas instrucciones.
- Antes de comenzar la instalación, verificar las "Características técnicas del producto" (en este manual) y asegurarse de que el producto sea adecuado para la automatización en cuestión. NO proceder con la instalación si el producto no es adecuado.
- El producto no se puede utilizar sin haber llevado a cabo las operaciones de puesta en servicio especificadas en el apartado "Ensayo y puesta en servicio".
- **¡ATENCIÓN!** - Según la legislación europea más reciente, la realización de una automatización debe respetar las normas armonizadas previstas por la Directiva Máquinas vigente, que permiten declarar la presunción de conformidad de la automatización. Considerando todo esto, las operaciones de conexión a la red eléctrica, ensayo, puesta en servicio y mantenimiento del producto deberán ser llevadas a cabo exclusivamente por un técnico cualificado y competente.
- Antes de proceder a la instalación del producto, comprobar que todo el material que se vaya a utilizar esté en perfectas condiciones y sea apto para el uso.
- **¡ATENCIÓN!** - Para evitar cualquier peligro debido al restablecimiento accidental del interruptor térmico, el aparato no debe alimentarse mediante un dispositivo de maniobra externo, como un temporizador, ni debe conectarse a un circuito que regularmente se conecte y desconecte de la alimentación.
- En la red de alimentación de la instalación, colocar un dispositivo de desconexión (no suministrado) con una distancia de apertura de los contactos que permita la desconexión completa en las condiciones dictadas por la categoría de sobretensión III.
- Durante la instalación, tratar el producto con cuidado evitando aplastamientos, caídas o contactos con cualquier tipo de líquido. No colocar el producto cerca de fuentes de calor y no exponerlo a llamas libres. Todas estas acciones pueden dañarlo y provocar defectos de funcionamiento o situaciones de peligro. En tal caso, suspender inmediatamente la instalación y acudir al Servicio de Asistencia.
- El fabricante no asume ninguna responsabilidad ante daños patrimoniales, de bienes o de personas, derivados del incumplimiento de las instrucciones de montaje. En estos casos, la garantía por defectos de material queda sin efecto.
- El nivel de presión acústica de la emisión ponderada A es inferior a 70 dB(A).
- Antes de realizar cualquier operación en la instalación (limpieza, mantenimiento) hay que desconectar el aparato de la red de alimentación.
- Inspeccionar la instalación con frecuencia, especialmente los cables, muelles y soportes, a fin de detectar posibles desequilibrios y marcas de desgaste o daños. No utilizar la instalación si es necesaria una reparación o una regulación: una avería en la instalación o un equilibrio incorrecto de la automatización puede provocar lesiones.
- El material del embalaje del producto debe desecharse en plena conformidad con la normativa local.
- Mantener a las personas alejadas al accionar el movimiento de la puerta mediante los elementos de mando.
- Durante la ejecución de una maniobra, controlar la automatización y asegurarse de que las personas se mantengan alejadas hasta que termine el movimiento.
- No poner en funcionamiento el producto cuando en sus proximidades se estén realizando tareas en la automatización; es necesario desconectar la fuente de alimentación antes de realizar estas tareas.

- Si el cable de alimentación está dañado, debe ser sustituido por el fabricante o por el servicio de asistencia técnica o por una persona con una calificación similar, para prevenir cualquier riesgo.

ADVERTENCIAS DE INSTALACIÓN

- Antes de instalar el motor de accionamiento, comprobar que todos los órganos mecánicos estén en buenas condiciones y bien equilibrados y que la automatización se abra y se cierre correctamente.
- Si la cancela que se desea automatizar incluye una puerta peatonal, es necesario preparar la instalación con un sistema de control que inhabilite el funcionamiento del motor cuando la puerta peatonal esté abierta.
- Asegurarse de que los elementos de mando se mantengan lejos de los órganos en movimiento, permitiendo la visión directa. A no ser que se utilice un selector, los elementos de mando se deben instalar a una altura mínima de 1,5 m y no deben quedar accesibles.
- Prevenir y evitar cualquier forma de atrapamiento entre las partes en movimiento y las partes fijas durante las maniobras.
- Fijar de manera permanente la etiqueta relativa a la maniobra manual cerca del órgano de maniobra.
- Después de instalar el motor de accionamiento, asegurarse de que el mecanismo, el sistema de protección y todas las maniobras manuales funcionen correctamente.

2 DESCRIPCIÓN DEL PRODUCTO Y DESTINACIÓN DE USO

MFAB(...) es un motorreductor destinado a la automatización de una puerta de batiente de una o dos hojas.

¡ATENCIÓN! – Queda prohibido un empleo diferente de aquel antedicho y en condiciones diferentes de aquellas previstas en el manual.

MFAB(...) funciona con energía eléctrica, si se corta la alimentación eléctrica, es posible desbloquear el motorreductor con llaves específicas y mover las hojas manualmente.

3 INSTALACIÓN

3.1 - Controles preliminares

Antes de proceder con la instalación, es necesario comprobar que la estructura sea adecuada, es decir, que respete las normas vigentes; controle especialmente que: • la puerta no tenga puntos de fricción tanto durante el cierre como durante la apertura; • la puerta esté compensada correctamente, es decir que al detenerla en cualquier posición no tienda a moverse. • la carrera de la puerta sea silenciosa y regular; • la zona de fijación del motorreductor permita una maniobra manual fácil y segura; • el embalaje esté íntegro; • controle que la zona de fijación sea compatible con el tamaño de la caja (**fig.1**); • prevea un tope de parada de cierre y uno, si fuera posible, de apertura.

¡ATENCIÓN! – Recuerde que MFAB(...) motoriza una puerta (de una o dos hojas) que es eficiente y segura y no remedia los defectos procurados por una instalación inadecuada o por un mantenimiento carente.

3.2 - Límites de empleo

La forma, la altura de la puerta (ej. ciega) y las condiciones climáticas (ej. viento fuerte) pueden disminuir notablemente los valores indicados en el **Gráfico A**.
Nota – Si la puerta mide más de 2,5 m de longitud por cada hoja, se aconseja instalar una cerradura eléctrica (PLA10 o bien PLA11).

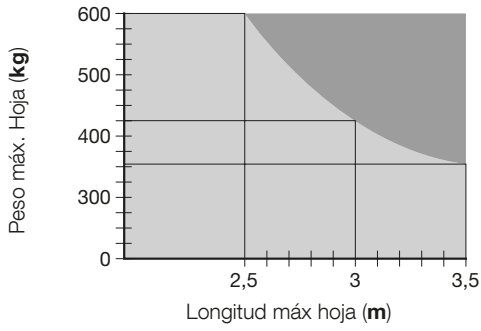
3.3 - Fijación

3.3.1 - Medidas y colocación de la caja de cimentación

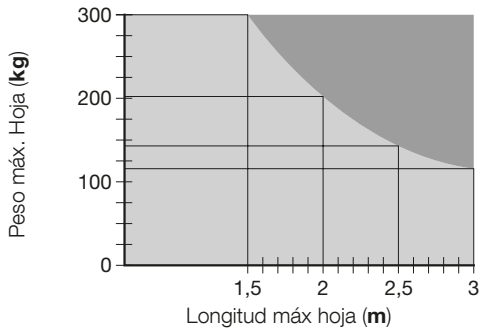
1. Realice un pozo de cimentación según las medidas del motorreductor; se aconseja realizar un buen drenaje para que el agua no se estanque.
2. Fije a la caja el accesorio para el fin de carrera de apertura siguiendo con atención las instrucciones dadas en la **fig. 6**, para evitar una fijación incorrecta.
3. Coloque la caja adentro de la excavación, con el perno alineado con el eje de la bisagra (**fig. 2**).
4. Haga llegar un tubo para que pasen los cables eléctricos y uno para el drenaje.
5. Sumerja en el hormigón la caja de cimentación, nivelándola correctamente.
6. Introduzca en el perno de la caja la brida de mando, interponiendo la bola suministrada.
7. Apoye la hoja de la puerta sobre la palanca de desbloqueo y suéldela perfectamente.
8. Engrase mediante la boquilla de engrase.

GRÁFICO A

MFAB3000 • MFAB3010 • MFAB3000L • MFAB3000/110 • MFAB3024

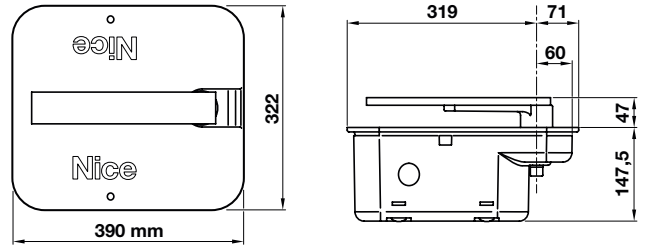


MFAB3024HS

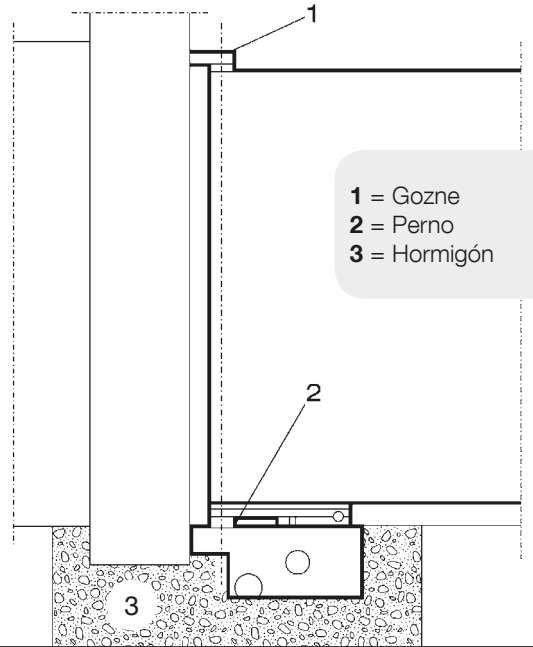


1

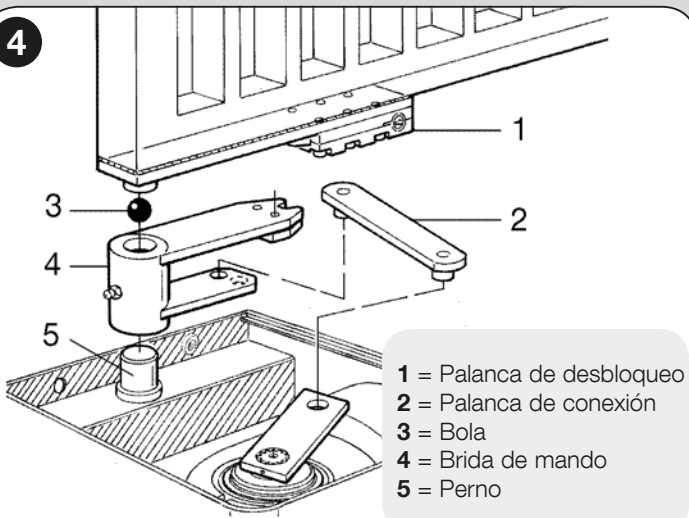
MFABBOXI • MFABBOX



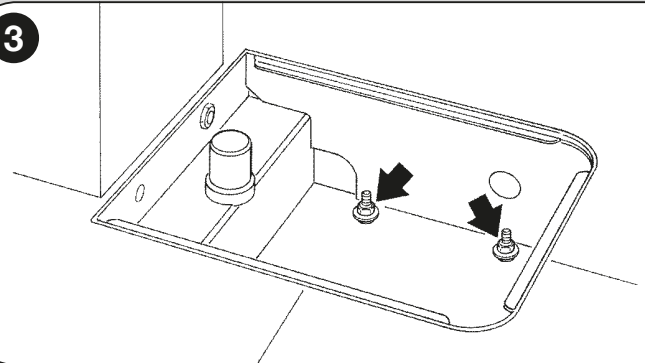
2



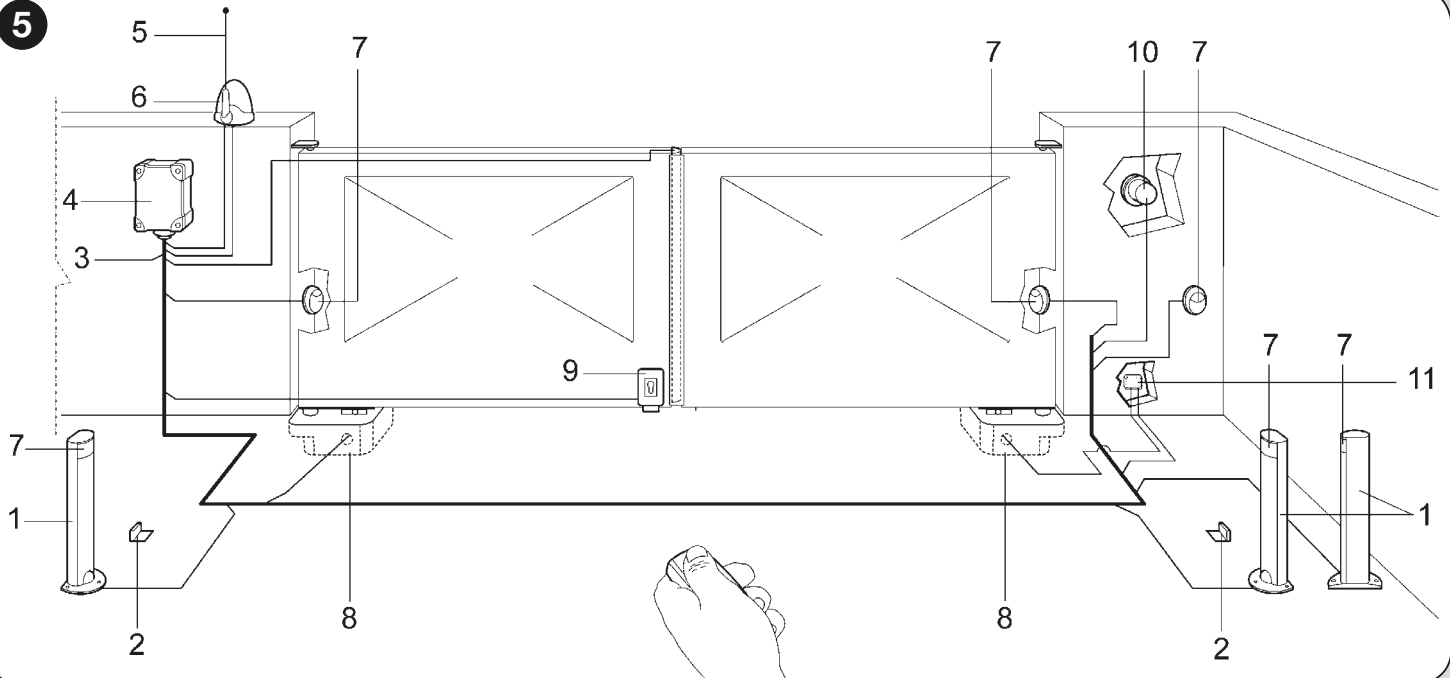
4



3



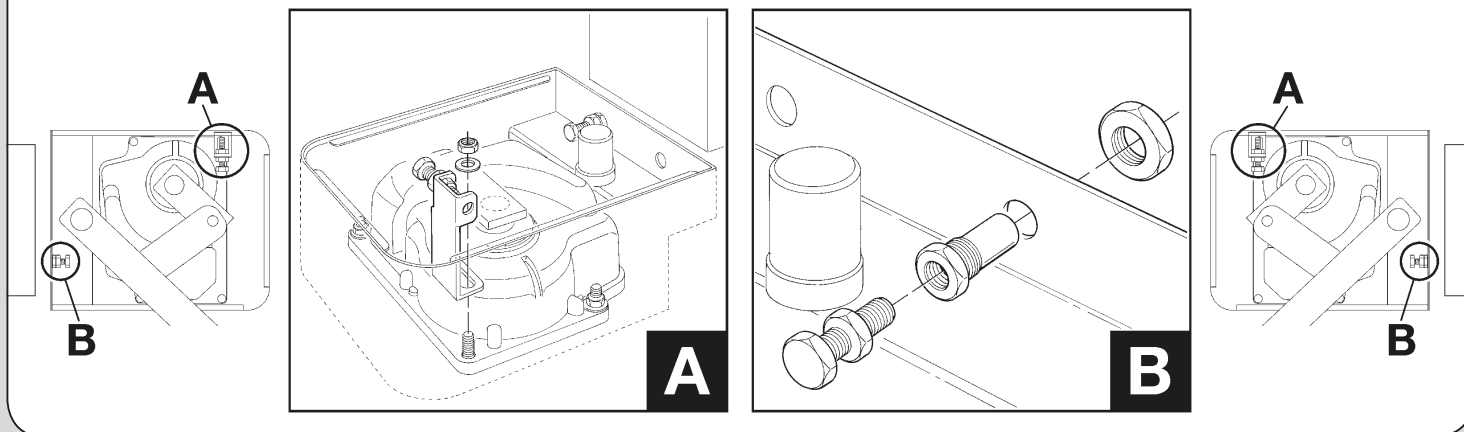
5



ES

6

A - Fin de carrera de cierre (suministrado con el motor). Fije como se muestra en la fig. A.
B - Fin de carrera de apertura (suministrado con la caja). Fije como se muestra en la fig. B.



3.3.2 - Instalación del motorreductor MFAB(...)

1. Quite las tuercas y arandelas indicadas en la fig. 3.
2. Coloque el motorreductor en el interior de la caja de cimentación, controlando que quede montado en el sentido exacto.
3. Fije el estribo para el fin de carrera de cierre en el agujero correspondiente (fig. 6).
4. Bloquee el motorreductor con las arandelas grower y con las 4 tuercas de bloqueo que se encuentran en la caja de los accesorios.
5. Conecte el motorreductor a la puerta, utilizando la palanca de conexión (2). (fig. 4).

3.4 - Instalación típica (véase la fig. 5)

1 = Columna para fotocélula; 2 = Par de topes de apertura; 3 = Línea 230V; 4 = Cuadro de mando (central eléctrica); 5 = Antena; 6 = Luz intermitente; 7 = Fotocélula; 8 = Caja con actuador MFAB(...); 9 = Electrocerradura vertical; 10 = Selector de llave o teclado digital; 11 = Caja de derivación (no suministrada).

4 CONEXIONES ELÉCTRICAS

4.1(a) - Para el MFAB3000 y MFAB3010 conecte los cables de la siguiente manera:

CABLE	CONEXIONE
cable Negro	Fase "abrir"
cable Marrón	Fase "cerrar"
cable Azul	Común
cable Amarillo-verde	Tierra

4.1(b) - Para el MFAB3024 conecte los cables de la siguiente manera:

CABLE	CONEXIONE
cable Azul	Alimentación del motor de 24 V
cable Marrón	Alimentación del motor de 24 V
cable Negro	Encoder
cable Gris	Encoder
cable Amarillo-verde	Tierra

¡ATENCIÓN! – Los motores están dotados de un cable de 2 MFAB(...)'s de longitud. **ESTÁ PROHIBIDO** realizar uniones en el interior de la caja; si tuviera que realizar conexiones, use únicamente la caja de derivación específica (no suministrada) para mantener la seguridad de la instalación.

4.2 - Instalación de los fines de carrera

Véase la fig. 6.

5 INSPECCIÓN Y PRUEBAS Y PUESTA EN SERVICIO

El ensayo de toda la instalación debe ser efectuado por personal experto y cualificado, que debe realizar los ensayos requeridos en función del riesgo presente.

Para el ensayo de MFAB(...) siga este procedimiento:

1. cierre la puerta; 2. corte la alimentación de la central; 3. desbloquee el motorreductor de la hoja tal como indicado en el Capítulo "Instrucciones y advertencias destinadas al usuario del motorreductor"; 4. mueva manualmente la puerta hasta el final de su carrera; 5. controle que la puerta durante el movimiento no presente puntos de fricción; 6. controle que la puerta detenida en cualquier punto y desbloqueada, no tienda a moverse; 7. controle que los sistemas de seguridad y los topes mecánicos estén en buenas condiciones; 8. controle que las conexiones roscadas estén bien apretadas; 9. limpie el interior de la caja y controle que el drenaje del agua funcione correctamente; 10. al concluir los controles, bloquee nuevamente el motorreductor y conecte la alimentación eléctrica de la central; 11. MFAB(...) no está dotado de dispositivo de regulación de par; por lo tanto, dicha regulación la realiza la central de mando; 12. mida la fuerza de choque, tal como previsto por las normas EN12453 y EN12445.

6 MANTENIMIENTO DEL PRODUCTO

El mantenimiento de MFAB(...) no requiere grandes trabajos; un control programado cada seis meses permite una mayor duración del motorreductor y un funcionamiento correcto y seguro del sistema.

El mantenimiento consiste simplemente en repetir el procedimiento de ensayo.

ELIMINACIÓN DEL PRODUCTO

Este producto es parte integrante del automatismo, y por lo tanto, debe eliminarse junto con éste.

Como para las operaciones de instalaciones, también al final de la vida de este producto, las operaciones de eliminación deben ser efectuadas por personal calificado.

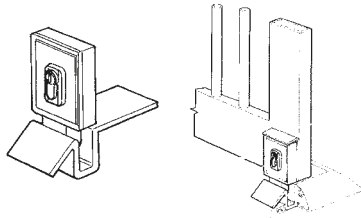
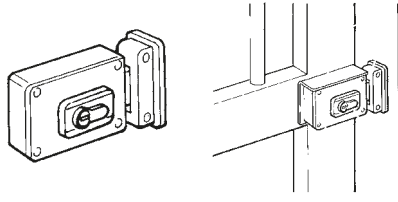
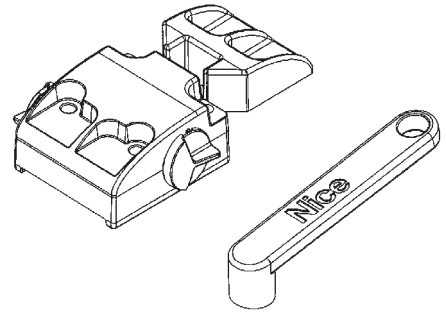
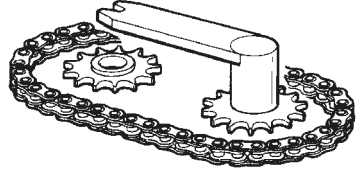
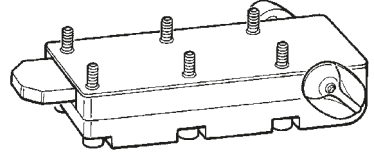
Este producto está formado por varios tipos de materiales: algunos pueden reciclarse, otros deben eliminarse. Infórmese sobre los sistemas de reciclaje o eliminación previstos por los reglamentos vigentes en el territorio, para esta categoría de producto.

¡ATENCIÓN! – Algunas partes del producto pueden contener sustancias contaminantes o peligrosas que, si se abandonan en el medio ambiente, podrían provocar efectos dañinos en el mismo medio ambiente y en la salud humana. Como se indica en el símbolo de al lado, se prohíbe echar este productos en los residuos domésticos. Efectúe por lo tanto la "recogida separada" para la eliminación según los métodos previstos por los reglamentos vigentes en su territorio, o entregue de nuevo el producto al vendedor en el momento de la compra de un nuevo producto equivalente.

¡ATENCIÓN! – las reglas vigentes a nivel local pueden prever importantes sanciones en caso de eliminación abusiva de este producto.



Accesorios bajo pedido

PLA10 Electrocerradura 12 Vca vertical 	PLA11 Electrocerradura 12 Vca horizontal 	MEA3 Desbloqueo con palanca específica 
MEA1 Dispositivo para apertura a 360° 	MEA2 Desbloqueo con cerradura 	

CARACTERÍSTICAS TÉCNICAS DEL PRODUCTO

ADVERTENCIAS: • Todas las características técnicas indicadas se refieren a una temperatura ambiental de 20°C (± 5°C). • Nice s.p.a. se reserva el derecho de aportar modificaciones al producto en cualquier momento que considere necesario, manteniendo las mismas funciones y destino de uso.

	MFAB3000	MFAB3010	MFAB3000L	MFAB3000/110	MFAB3024	MFAB3024HS
Alimentación	230 Vac; 50 Hz	230 Vac; 50 Hz	230 Vac; 50 Hz	110 Vac; 60 Hz	24 Vdc	24 Vdc
Corriente absorbida	1.2 A	1.2 A	1.3 A	2.4 A	5 A	6 A
Potencia absorbida	250 W	250 W	300 W	250 W	120 W	170 W
Condensador incorporado	10 uF	10 uF	10 uF	30 uF	—	—
Grado de protección	IP 67	IP 67	IP 67	IP 67	IP 67	IP 67
Velocidad	1.14 Rpm	1.14 Rpm	0.8 Rpm	1.4 Rpm	1.4 Rpm	2.6 Rpm
Par	300 Nm	300 Nm	250 Nm	300 Nm	250 Nm	180 Nm
Temperatura de funcionamiento	desde -20 °C a +50 °C					
Protección térmica	140 °C	140 °C	140 °C	140 °C	—	—
Ciclo de trabajo	30 %	40 %	30 %	30 %	80 %	80 %
Peso	11 kg	11.5 kg	11 kg	11 kg	11 kg	11 kg

Declaración CE de conformidad y declaración de incorporación de una “cuasi máquina”

Declaración de conformidad con las Directivas: 2014/30/UE (CEM); 2006/42/CE (DM), anexo II, parte B.

Nota: el contenido de la presente declaración se corresponde con cuanto se declara en el documento oficial presentado en la sede de Nice S.p.a. y, en particular, con la última revisión disponible antes de la impresión de este manual. El texto aquí contenido se ha adaptado por cuestiones editoriales. No obstante, se puede solicitar una copia de la declaración original a Nice S.p.a. (TV) I.

Número de declaración: **134/MFAB** Revisión: **14** Idioma: **ES**

Nombre del fabricante: NICE S.p.a.

Dirección: Via Pezza Alta N°13, 31046 Rustignè di Oderzo (TV), Italia.

Persona autorizada para elaborar la documentación técnica: NICE S.p.a. – Via Pezza Alta N°13, 31046 Rustignè di Oderzo (TV), Italia.

Tipo de producto: Motorreductor electromecánico para puertas batientes.

Modelo/Tipo: MFAB3024, MFAB3000, MFAB3000L, MFAB3000/110, MFAB3010, MFAB3024HS

Accesorios: Ninguno accesorio.

El abajo firmante Roberto Griffa, en calidad de Chief Executive Officer, bajo su propia responsabilidad, declara que los productos arriba indicados cumplen con las disposiciones contempladas en las siguientes Directivas:

- DIRECTIVA 2014/30/UE DEL PARLAMENTO EUROPEO Y DEL CONSEJO, de 26 de febrero de 2014, relativa a la aproximación de las legislaciones de los Estados miembros en materia de compatibilidad electromagnética (refundición), según las siguientes normas armonizadas: EN 61000-6-2:2005; EN 61000-6-3:2007 + A1:2011.

Asimismo, el producto también cumple con la siguiente Directiva de conformidad con los requisitos previstos para las “cuasi máquinas”:

- Directiva 2006/42/CE DEL PARLAMENTO EUROPEO Y DEL CONSEJO de 17 de mayo de 2006 relativa a las máquinas y por la que se modifica la Directiva 95/16/CE

(refundición).

- Se declara que la documentación técnica correspondiente se ha elaborado de conformidad con el anexo VII B de la Directiva 2006/42/CE y que se han respetado los siguientes requisitos fundamentales:

1.1.1 - 1.1.2 - 1.1.3 - 1.2.1 -1.2.6 - 1.5.1 -1.5.2 - 1.5.5 - 1.5.6 - 1.5.7 - 1.5.8 - 1.5.10 - 1.5.11.

- El fabricante se compromete a remitir a las autoridades nacionales, previa solicitud justificada, la información pertinente acerca de la “cuasi máquina”, sin perjudicar en ningún momento los propios derechos de propiedad intelectual.
- En caso de que la “cuasi máquina” se ponga en funcionamiento en un país europeo cuya lengua oficial difiera de la que se utiliza en la presente declaración, el importador tiene la obligación de asociar la traducción correspondiente a esta declaración.
- Se advierte que la “cuasi máquina” no debe ponerse en funcionamiento hasta que, si procede, no se declare la conformidad con las disposiciones contempladas en la Directiva 2006/42/CE de la máquina final en que será incorporada.

El producto también cumple con las siguientes normas: EN 60335-1:2002 + A1:2004 + A11:2004 + A12:2006 + A2:2006 + A13:2008 + A14:2010 + A15:2011; EN 60335-2-103:2003 + A11:2009.

El producto, con limitación a las partes aplicables, también cumple con las siguientes normas: EN 13241-1:2003 + A1:2011; EN 12445:2002; EN 12453:2002; EN 12978:2003 + A1:2009.

Oderzo, 21 de abril 2016

Ing. **Roberto Griffa**
(Chief Executive Officer)



1 ALLGEMEINE SICHERHEITSHINWEISE UND VORSICHTSMASSNAHMEN

ALLGEMEINE HINWEISE

- **ACHTUNG!** - Sicherheitsrelevante Anweisungen. Alle Anweisungen strikt einhalten. Unkorrekte Installationen können schwerwiegende Schäden verursachen.
- **ACHTUNG!** - Sicherheitsrelevante Anweisungen. Damit die Sicherheit von Personen gewährleistet ist, die folgenden Anweisungen einhalten. Die vorliegende Anleitung gut aufbewahren.
- Bevor Sie mit der Installation beginnen, sollten Sie unbedingt die „Technischen Eigenschaften des Produkts“ in dieser Anleitung prüfen, insbesondere ob das vorliegende Produkt zur Automatisierung Ihres gesteuerten Tors oder Rollladens geeignet ist. Das Gerät NICHT installieren, wenn es nicht dafür geeignet ist.
- Das Gerät darf erst verwendet werden, nachdem es wie im Abschnitt „Abnahme und Inbetriebnahme“ beschrieben in Betrieb genommen wurde.
- **ACHTUNG!** - Gemäß der neuesten europäischen Gesetzgebung muss die Realisierung einer Automatisierung unter Beachtung der von der geltenden Maschinenrichtlinie vorgesehenen harmonisierten Normen erfolgen, die es erlauben, eine Erklärung über die angenommene Konformität der Automatisierung auszustellen. Unter Beachtung dessen dürfen alle Arbeiten zum Anschluss an das Stromnetz, zur Abnahme, Inbetriebsetzung und Wartung der Vorrichtung nur von einem qualifizierten und kompetenten Fachmann ausgeführt werden.
- Vor der Installation des Geräts ist sicherzustellen, dass das gesamte Material in technischem einwandfreiem Zustand und für den Einsatzzweck geeignet ist.
- **ACHTUNG!** - Um alle Gefahren im Zusammenhang mit einer unvorhergesehenen Rücksetzung der Temperatursicherung zu verhindern, darf dieses Gerät nicht über eine externe Schaltvorrichtung (z. B. eine Zeitschaltuhr) versorgt oder an einen Stromkreis angeschlossen werden, der regelmäßig ein- oder ausgeschaltet wird.
- Die Stromversorgung der Anlage muss über eine Trennvorrichtung (nicht im Lieferumfang enthalten) ausgeführt sein, deren Öffnungsabstand der Kontakte eine vollständige Unterbrechung gemäß Überspannungskategorie III garantiert.
- Das Produkt bei der Installation vorsichtig handhaben und Quetschungen, Stöße, Herunterfallen sowie den Kontakt mit Flüssigkeiten jeder Art vermeiden. Das Produkt nicht in der Nähe von Wärmequellen positionieren und es keinen offenen Flammen aussetzen. All diese Handlungen können das Produkt beschädigen oder Ursache für Störungen oder Gefahrensituationen sein. In diesen Fällen die Installation unverzüglich abbrechen und den Kundendienst einschalten.
- Der Hersteller haftet nicht für Vermögens-, Personen- oder Sachschäden, die durch Nichtbeachtung der Montageanweisungen entstehen. In diesen Fällen ist die Garantie für Materialfehler ausgeschlossen.
- Der A-bewertete Schalldruckpegel ist geringer als 70 dB(A).
- Das Produkt vor jeder Arbeit an der Anlage (Wartung, Reinigung) immer von der Stromversorgung abtrennen.
- Prüfen Sie die Anlage regelmäßig auf eventuelle Ungleichgewichte, Abnutzungserscheinungen und Schäden insbesondere von Kabeln, Federn und Halterungen. Verwenden Sie das Gerät nicht, wenn eine Reparatur oder Einstellung erforderlich ist, da eine unkorrekte Installation oder ein nicht ordnungsgemäßer Gewichtsausgleich der Automatisierung.
- Das Verpackungsmaterial des Produkts muss entsprechend den einschlägigen Umweltschutzvorschriften entsorgt werden.
- Halten Sie alle anwesenden Personen von der Automatisierung fern, wenn diese über die Steuerelemente bewegt wird.
- Während der Ausführung der Bewegung die Automatisierung kontrollieren und Personen solange fernhalten, bis die Bewegung ab-

geschlossen ist.

- Betätigen Sie das Produkt nicht, wenn in der Nähe Personen an der Automatisierung arbeiten; trennen Sie die Vorrichtung vom Stromnetz, bevor solche Arbeiten ausgeführt werden.
- Wenn das Netzkabel beschädigt ist, muss es vom Hersteller, vom technischen Kundendienst oder von einer Person mit einer ähnlichen Qualifikation ersetzt werden, um so jeder Gefahr vorzubeugen.

INSTALLATIONSHINWEISE

- Vor dem Einbau des Antriebsmotors sicherstellen, dass alle mechanischen Komponenten in einem technisch einwandfreien Zustand sind, sich korrekt im Gleichgewicht befinden und die Automatisierung vorschriftsgemäß bedient werden kann.
- Falls das zu automatisierende Tor mit einem Fußgängerzugang ausgestattet ist, wird es notwendig, an der Anlage ein Kontrollsystem zu installieren, das die Motorfunktion blockiert, wenn der Eingang für Fußgänger offen steht.
- Sicherstellen, dass die Antriebskomponenten einen ausreichenden Abstand zu den Bewegungsteilen haben und nicht die Sicht versperren. Falls kein Wahlschalter verwendet wird, müssen die Antriebskomponenten in einer Höhe von mindestens 1,5 m montiert werden und dürfen nicht zugänglich sein.
- Jede Form des Einklemmens zwischen sich bewegenden und festen Teilen ist bei den Bewegungen vorherzusehen und zu vermeiden.
- Bringen Sie das Etikett für die Bedienung von Hand dauerhaft in der Nähe des Elements an, das die Bewegung selbst erlaubt.
- Nach dem Einbau des Antriebsmotors sicherstellen, dass der gesamte Mechanismus, das Schutzsystem und die manuellen Bedienungsvorgänge ordnungsgemäß funktionieren.

2 BESCHREIBUNG DES PRODUKTS UND BESTIMMUNGSGEMÄSSER GEBRAUCH

MFAB(...) ist ein Toröffner für die Automatisierung eines ein- oder zweiteiligen Drehtors. **ACHTUNG!** – Jeder andere Gebrauch, der anders ist als oben beschrieben und unter anderen Bedingungen als in der vorliegenden Anleitung vorgesehen ist unzulässig.

MFAB(...) funktioniert mit elektrischer Energie; bei Stromausfall kann der Toröffner mit den speziellen Schlüsseln entriegelt werden; danach kann man die Torflügel von Hand bewegen.

3 INSTALLATION

3.1 - Vorprüfungen

Vor der Installation ist zu prüfen, ob sich die Torstruktur eignet, anders gesagt, ob sie mit den gültigen Vorschriften konform ist. Insbesondere prüfen, ob: • das Tor in Schließung sowie in Öffnung keine Reibungen aufweist; • das Tor gut ausgeglichen ist. Das heißt, dass es sich nicht bewegen darf, wenn es in beliebiger Stellung stillsteht; • das Tor einen leisen und regulären Lauf hat; • der Befestigungsbereich des Toröffners eine einfache und sichere Bewegung von Hand ermöglicht.; • die Verpackung unbeschädigt ist; • der Befestigungsbereich dem Platzbedarf des Kastens entspricht (**Abb.1**); • einen Endanschlag in Schließung und möglichst auch in Öffnung vorsehen.

ACHTUNG! – Es wird daran erinnert, dass MFAB(...) ein bereits effizientes und sicheres Tor (ein- oder zweiteilig) motorisiert; MFAB(...) kann Probleme aufgrund falscher Installation oder schlechter Wartung nicht lösen.

3.2 - Einsatzgrenzen

Form und Höhe des Tors (z.B. ausgefacht) sowie starker Wind können die Werte in der **Schaubild A** gezeigt.

Anmerkung – Sollte jeder Torflügel länger als 2,5 m sein, wird der Einbau eines Elektroschlusses (PLA10 oder PLA11) empfohlen.

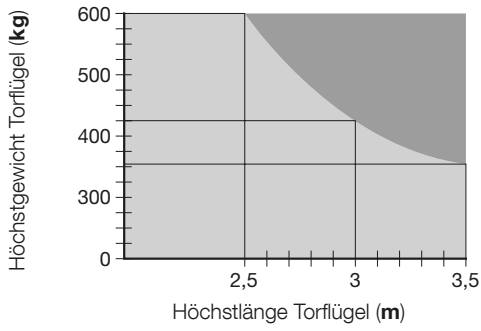
3.3 - Befestigung

3.3.1 - Gesamtmaße und Positionieren des Fundamentkastens

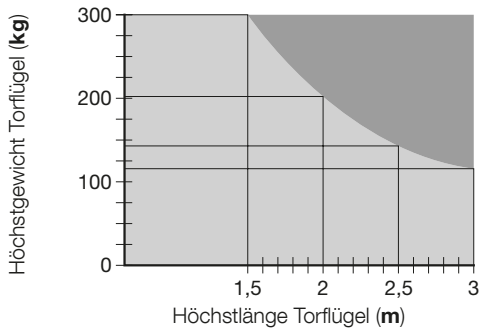
1. Je nach den Gesamtmaßen eine Ausgrabung für den Fundamentkasten ausführen; eine gute Drainage vorsehen, um Wasserrückstau zu vermeiden.
2. Das Zubehör für den Endschalter in Öffnung am Fundamentkasten befestigen; die genau befolgen Anweisungen in der **Abb. 6**, um eine falsche

SCHAUBILD A

MFAB3000 • MFAB3010 • MFAB3000L • MFAB3000/110 • MFAB3024

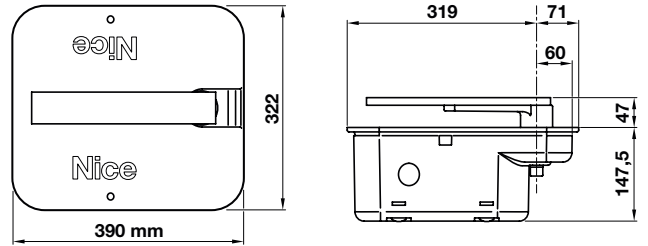


MFAB3024HS

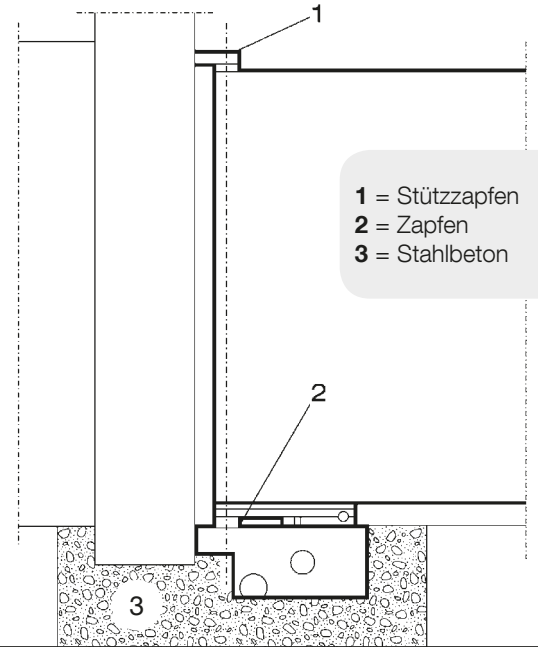


1

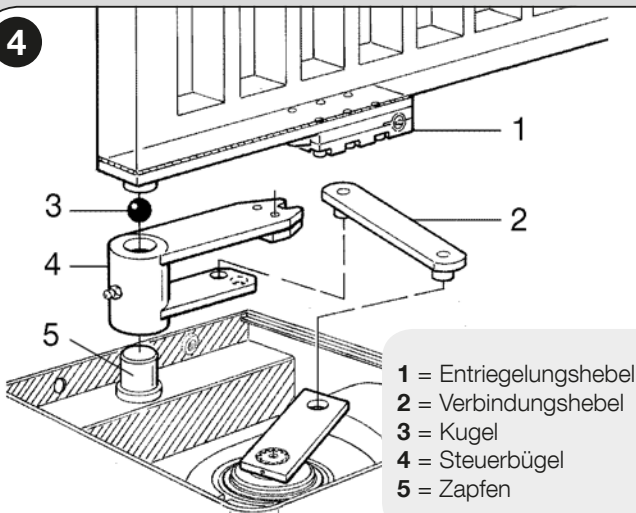
MFABBOXI • MFABBOX



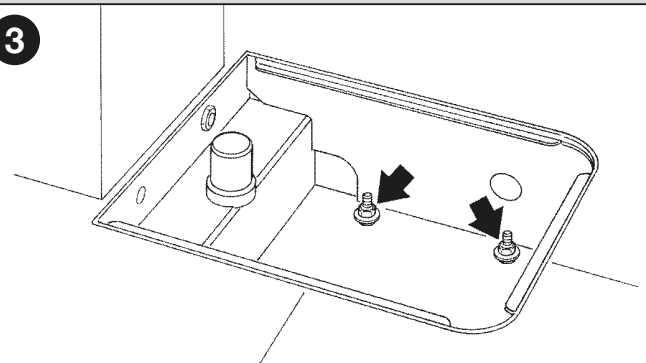
2



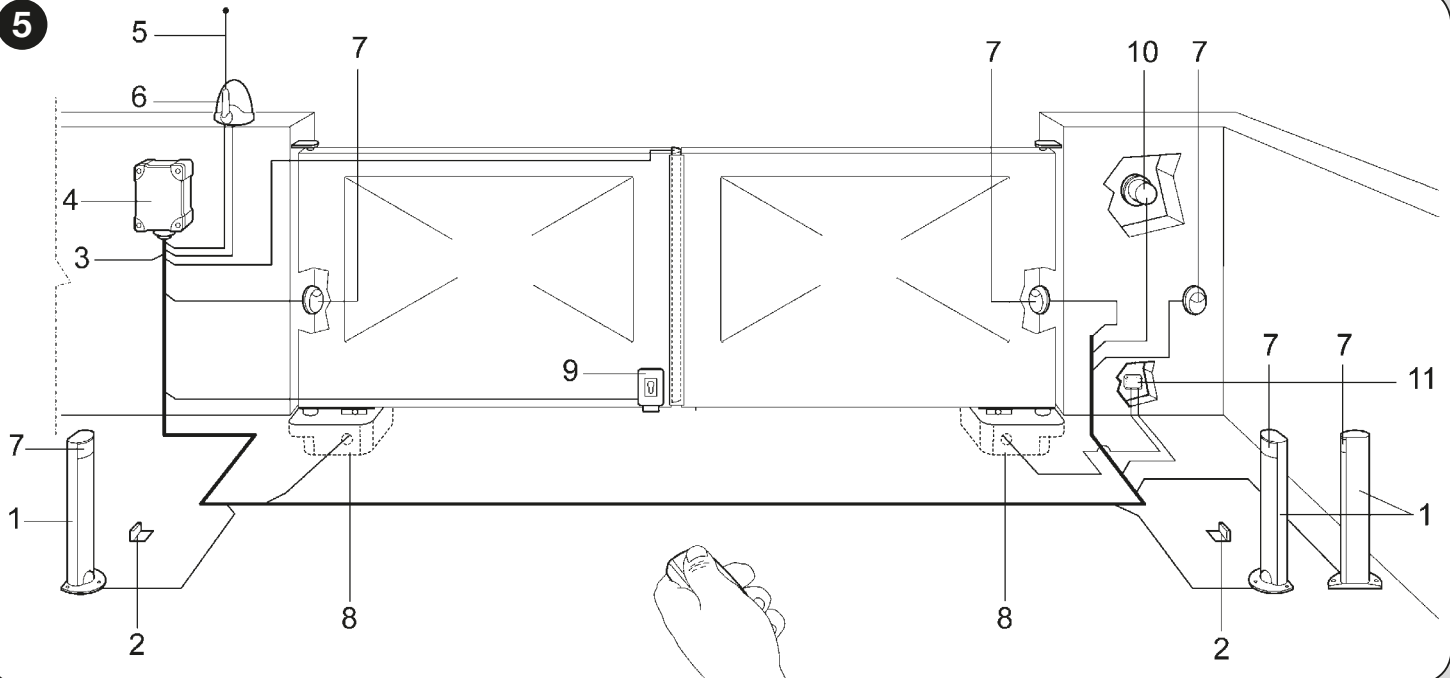
4



3



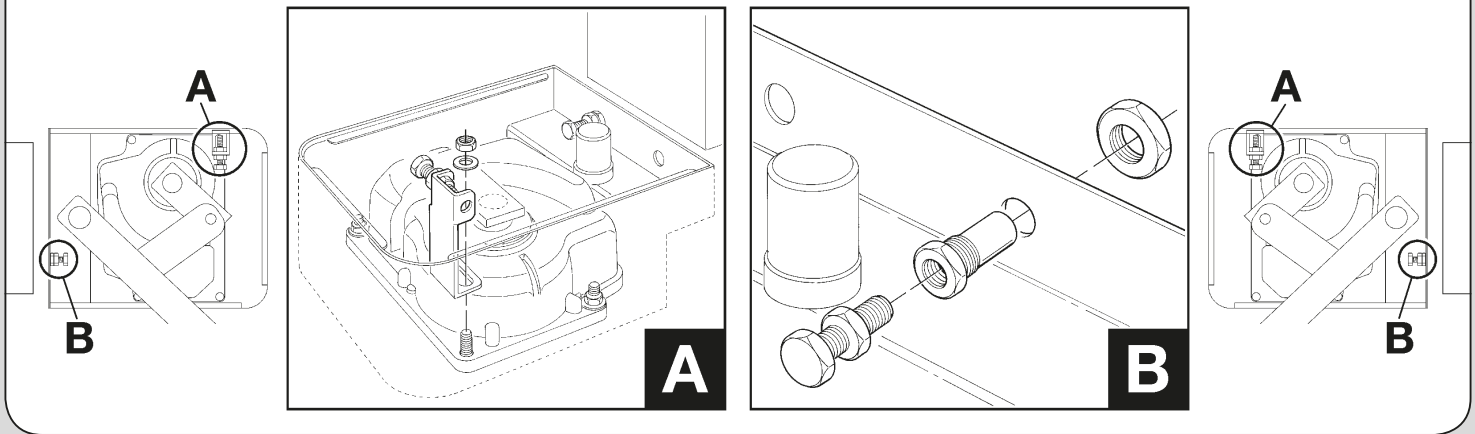
5



DE

6

A - Endschalter in Schließung (mit dem Motor geliefert). Wie auf der Abb. A gezeigt befestigen.
B - Endschalter in Öffnung (mit dem Kasten geliefert). Wie auf der Abb. B gezeigt befestigen.



Befestigung zu vermeiden.

- Den Fundamentkasten in der Ausgrabung anbringen; der Zapfen muss mit der Achse des Scharniers fluchten (**Abb. 2**).
- Eine Leitung für die Elektrokabel und eine für die Drainage vorsehen.
- Den Fundamentkasten im Beton versenken, genau nivellieren und die Höhe beachten.
- Den Steuerbügel auf den Zapfen des Kastens stecken; die mitgelieferte Kugel zwischenlegen.
- Den Torflügel auf den Entriegelungshebel stützen und fest anschweißen.
- Mit der speziellen Fettbüchse einfetten.

3.3.2 - Installation des Toröffners MFAB(...)

- Entfernen Sie die Muttern und Unterlegscheiben, in **Abb. 3** dargestellt.
- Den Toröffner im Fundamentkasten anbringen; sicher stellen, dass er im richtigen Sinn eingebaut wird.
- Den Bügel für den Endschalter in Schließung in der dazu vorgesehenen Bohrung befestigen (**Abb 6**).
- Den Toröffner mit den Grower-Unterlegscheiben und den 4 selbstsperrenden Muttern in der Zubehörschachtel befestigen.
- Den Toröffner mit dem Verbindungsbügel (2) mit dem Tor verbinden (**Abb. 4**).

3.4 - Typische Anlage (siehe **Abb. 5**)

1 = Standsäule für Photozelle; 2 = Paar Endschläge in Öffnung; 3 = 230V Linie; 4 = Steuerung; 5 = Antenne; 6 = Blinkleuchte; 7 = Photozelle; 8 = Fundamentkasten mit Toröffner MFAB(...); 9 = Elektroschloss, vertikal; 10 = Schlüsseltaster oder digitales Codeschloss; 11 = Abzweigkasten (nicht mitgeliefert).

4 ELEKTRISCHE VERBINDUNGEN

4.1(a) - Für MFAB3000 und MFAB3010, die Kabel wie folgt anschließen:

DRAHT	VERBINDUNG
Schwarzer Draht	Phase „öffnet“
Brauner Draht	Phase „schließt“
Blauer Draht	Gemeinsam
Gelb-grüner Draht	Erde

4.1(b) - Für MFAB3024, die Kabel wie folgt anschließen:

DRAHT	VERBINDUNG
Blauer Draht	Motor-Stromversorgung 24 V
Brauner Draht	Motor-Stromversorgung 24 V
Schwarzer Draht	Encoder
Grauer Draht	Encoder
Gelb-grüner Draht	Erde

ACHTUNG! – Die Motoren verfügen über ein 2m langes Kabel. **ES IST VERBOTEN**, Kabel im Kasten zusammen zu fügen; für eventuelle Verbindungen nur den speziellen Abzweigkasten (nicht mitgeliefert) verwenden, um den Sicherheitsgrad der Anlage beizubehalten.

4.2 - Positionieren der Endschalter

Siehe **Abb. 6**.

5 PRÜFUNG UND INBETRIEBNAHME

Die Abnahme der gesamten Anlage muss von erfahrenem Fachpersonal mit Tests ausgeführt werden, die dem vorhandenen Risiko entsprechen müssen. Für die Abnahme von MFAB(...) wie folgt vorgehen:

- das Tor schließen; 2. die Versorgung zur Steuerung abschalten; 3. den Toröffner vom Torflügel entriegeln, wie in Kapitel „Anweisungen und Hinweise für den Benutzer des Toröffners“ gezeigt; 4. das Tor von Hand ganz öffnen; 5. prüfen, dass das Tor während der Bewegung nicht durch Reibung behindert wird; 6. prüfen, dass sich das Tor nicht bewegt, wenn es in beliebiger Stellung stillsteht; 7. prüfen, dass sich die Sicherheitssysteme und die mechanischen Anschläge in gutem Zustand befinden; 8. prüfen, dass die Schraubverbindungen fest angezogen sind; 9. das Kasteninnere reinigen und prüfen, ob der Wasserabfluss korrekt funktioniert; 10. den Toröffner nach Beendigung der Überprüfungen wieder verriegeln und die Steuerung versorgen; 11. MFAB(...) hat keine Drehmomentregelung, diese Regelung ist daher der Steuerung anvertraut; 12. die Aufprallkraft messen, wie von den Normen EN12453 und EN12445 vorgesehen.

6 WARTUNG DES PRODUKTS

Für die Wartung von MFAB(...) sind keine besonderen Maßnahmen erforderlich, jedoch gewährleistet eine programmierte Kontrolle mindestens alle sechs Monate eine längere Lebensdauer des Toröffners und den korrekten und sicheren Betrieb des Systems.

Die Wartung besteht einfach aus der Wiederholung des Abnahmeverfahrens.

ENTSORGUNG DES PRODUKTS

Dieses Produkt ist Teil der Antriebsautomatik und ist daher mit dieser zu entsorgen.

Wie die Installationsverfahren ist auch die Verschrottung am Lebensende dieses Produkts von Fachpersonal vorzunehmen.

Dieses Produkt besteht aus verschiedenen Materialtypen: Einige können recycelt werden, andere sind zu entsorgen. Informieren Sie sich bitte über die Recycling- oder Entsorgungssysteme, die von den in Ihrem Land geltenden Bestimmungen für diese Produktkategorie vorgesehen sind.

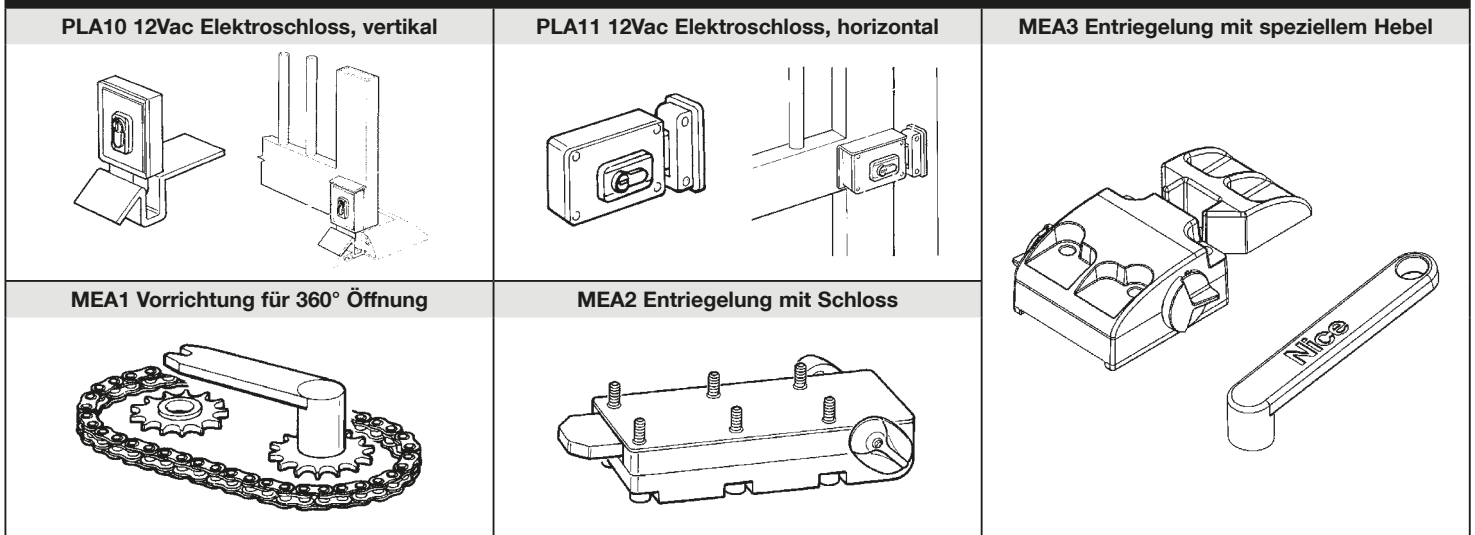
ACHTUNG! – Einige Teile des Produkts können Schad- oder Gefahrenstoffe enthalten, die bei Zerstreuung in der Umwelt schädliche Auswirkungen auf die Umwelt und auf die menschliche Gesundheit haben könnten.

Wie vom seitlichen Symbol angezeigt, ist es verboten, dieses Produkt in den Hausmüll zu werfen. Zur Entsorgung ist daher die „getrennte Müllsammlung“ nach den Methoden vorzunehmen, die von den in Ihrem Land geltenden Bestimmungen vorgesehen sind. Das Produkt kann beim Kauf eines neuen gleichwertigen Produkts auch an den Händler zurückgegeben werden.

ACHTUNG! – Die auf örtlicher Ebene geltenden Bestimmungen können im Fall einer rechtswidrigen Entsorgung dieses Produkts schwere Strafen vorsehen.



Sonderzubehör



TECHNISCHE MERKMALE DES PRODUKTS

HINWEISE: • Alle hier wiedergegebenen technischen Merkmale beziehen sich auf eine Umgebungstemperatur von 20°C (± 5°C). • Die Firma Nice S.p.a. behält sich das Recht vor, jederzeit Änderungen am Produkt vorzunehmen, falls sie es für notwendig hält, wobei jedoch dieselbe Funktionstüchtigkeit und derselben Bestimmungszweck beibehalten wird.

	MFAB3000	MFAB3010	MFAB3000L	MFAB3000/110	MFAB3024	MFAB3024HS
Versorgung	230 Vac; 50 Hz	230 Vac; 50 Hz	230 Vac; 50 Hz	110 Vac; 60 Hz	24 Vdc	24 Vdc
Stromaufnahme	1.2 A	1.2 A	1.3 A	2.4 A	5 A	6 A
Leistungsaufnahme	250 W	250 W	300 W	250 W	120 W	170 W
Eingebauter Kondensator	10 uF	10 uF	10 uF	30 uF	—	—
Geschwindigkeit	1.14 Rpm	1.14 Rpm	0.8 Rpm	1.4 Rpm	1.4 Rpm	2.6 Rpm
Drehmoment	300 Nm	300 Nm	250 Nm	300 Nm	250 Nm	180 Nm
Betriebstemperatur	-20 °C bis +50 °C					
Wärmeschutz	140 °C	140 °C	140 °C	140 °C	—	—
Arbeitszyklus	30 %	40 %	30 %	30 %	80 %	80 %
Gewicht	11 kg	11.5 kg	11 kg	11 kg	11 kg	11 kg

CE-Konformitätserklärung und Einbauerklärung der „unvollständigen Maschine“

Erklärung in Übereinstimmung mit den Richtlinien: 2014/30/UE (EMV); 2006/42/EG (MD) Anlage II, Teil B.

Anmerkung - Der Inhalt dieser Erklärung entspricht den Angaben im offiziellen Dokument, das im Sitz der Nice S.p.A. hinterlegt ist und der letzten verfügbaren Revision vor dem Druck dieser Anleitung. Dieser Text wurde aus redaktionellen Gründen angepasst. Die Kopie der Original-Erklärung kann bei der Firma Nice S.p.A. (TV) I. angefordert werden.

Nummer der Erklärung: **134/MFAB** Revision: **14** Sprache: **DE**

Name des Herstellers: NICE s.p.a.
Adresse: Via Pezza Alta N°13, 31046 Rustignè di Oderzo (TV) Italy.
Bevollmächtigte Person zum Zusammenstellen der technischen Unterlagen:
 NICE s.p.a. – Via Pezza Alta N°13, 31046 Rustignè di Oderzo (TV) Italy
Art des Produkts: Elektromechanisches Getriebe für Drehtore.
Modell / Typ: MFAB3024, MFAB3000, MFAB3000L, MFAB3000/110, MFAB3010, MFAB3024HS
Zubehör: Kein Zubehör.

Der Unterzeichnende Roberto Griffa, in seiner Funktion als Chief Executive Officer, erklärt auf eigene Verantwortung, dass die oben genannten Produkte den Bestimmungen entsprechen, die in folgenden Richtlinien enthalten sind:

- RICHTLINIE 2014/30/UE DES EUROPÄISCHEN PARLAMENTS UND DES RATES vom 26. Februar 2014 zur Angleichung der Rechtsvorschriften der Mitgliedsstaaten über die elektromagnetische Verträglichkeit (Überarbeitung), gemäß den folgenden harmonisierten Normen: EN 61000-6-2:2005; EN 61000-6-3:2007 + A1:2011.

Außerdem entspricht das Produkt folgender Richtlinie, entsprechend der vorgesehenen Anforderungen für die „unvollständigen Maschinen“:

- Richtlinie 2006/42/EG DES EUROPÄISCHEN PARLAMENTS UND DES RATES vom 17. Mai 2006 über Maschinen, welche die Richtlinie 95/16/EG ändert (Überarbeitung).


- Hiermit wird erklärt, dass die entsprechenden technischen Unterlagen in Übereinstimmung mit Anlage VII B der Richtlinie 2006/42/EG zusammengestellt und die folgenden wesentlichen Anforderungen eingehalten wurden:
 1.1.1 - 1.1.2 - 1.1.3 - 1.2.1 - 1.2.6 - 1.5.1 - 1.5.2 - 1.5.5 - 1.5.6 - 1.5.7 - 1.5.8 - 1.5.10 - 1.5.11.
- Der Hersteller verpflichtet sich, die Informationen über die „unvollständige Maschine“ auf Verlangen an die nationalen Behörden weiterzuleiten, wobei die eigenen Rechte des geistigen Eigentums beibehalten werden.
- Wenn die „unvollständige Maschine“ in einem europäischen Land in Betrieb genommen wird, deren offizielle Sprache nicht der in dieser Erklärung entspricht, ist der Importeur verpflichtet, dieser Erklärung die entsprechende Übersetzung beizulegen.
- Wir weisen darauf hin, dass die „unvollständige Maschine“ erst dann in Betrieb genommen werden darf, wenn gegebenenfalls festgestellt wurde, dass die Maschine, in die die unvollständige Maschine eingebaut werden soll, den Bestimmungen der Richtlinie 2006/42/EG entspricht.

Außerdem entspricht das Produkt folgenden Normen: EN 60335-1:2002 + A1:2004 + A11:2004 + A12:2006 + A2:2006 + A13:2008 + A14:2010 + A15:2011; EN 60335-2-103:2003 + A11:2009.

Das Produkt entspricht, auf die anwendbaren Teile begrenzt, folgenden Normen: EN 13241-1:2003 + A1:2011; EN 12445:2002; EN 12453:2002; EN 12978:2003 + A1:2009.

Oderzo, 21. April 2016

Ing. **Roberto Griffa**
(Chief Executive Officer)



1 OGÓLNE UWAGI I ŚRODKI OSTROŻNOŚCI DOTYCZĄCE BEZPIECZEŃSTWA

OGÓLNE OSTRZEŻENI

- **UWAGA!** - Ważne instrukcje bezpieczeństwa. Należy przestrzegać wszystkich instrukcji, ponieważ nieprawidłowy montaż może być przyczyną poważnych szkód.
- **UWAGA!** - Ważne instrukcje bezpieczeństwa. W celu zapewnienia bezpieczeństwa osób, należy przestrzegać niniejszych instrukcji. Należy zachować niniejszą instrukcję.
- Przed rozpoczęciem montażu należy sprawdzić informacje na temat „Parametrów technicznych produktu” (zawartych w niniejszej instrukcji), a w szczególności, czy urządzenie jest przystosowane do napędzania posiadanego przez Państwa urządzenia. Jeżeli produkt nie jest odpowiedni, NIE należy wykonywać montażu.
- Nie używać urządzenia, jeśli nie przeprowadzono procedury oddania do eksploatacji, opisanej w rozdziale „Odbiór i przekazanie do eksploatacji”.
- **UWAGA!** - Według najnowszych, obowiązujących przepisów europejskich, wykonanie drzwi lub bramy automatycznej musi być zgodne z obowiązującą Dyrektywą Maszynową umożliwiającą zadeklarowanie zgodności automatyki. W związku z tym, wszystkie czynności polegające na podłączeniu do sieci elektrycznej, wykonywaniu prób odbiorczych, przekazywaniu do eksploatacji i konserwacji urządzenia muszą być wykonywane wyłącznie przez wykwalifikowanego i kompetentnego technika!
- Przed przystąpieniem do montażu produktu należy sprawdzić, czy wszystkie elementy i materiały przeznaczone do użycia znajdują się w idealnym stanie i są odpowiednie do użycia.
- **UWAGA!** - W celu uniknięcia jakiegokolwiek zagrożenia na skutek przypadkowego uzbrojenia termicznego urządzenia odłączającego, nie należy zasilать tego urządzenia przy użyciu zewnętrznego urządzenia, jak zegar lub podłączać go do obwodu charakteryzującego się regularnym podłączaniem lub odłączaniem zasilania.
- W sieci zasilającej instalacji należy przygotować urządzenie odłączające (nieznajdujące się na wyposażeniu), którego odległość pomiędzy stykami podczas otwarcia zapewni całkowite odłączenie w warunkach określonych przez III kategorię przepięciową.
- Podczas montażu, należy delikatnie obchodzić się z urządzeniem, chroniąc je przed zgnieciem, uderzeniem, upadkiem lub kontaktem z jakiegokolwiek rodzaju płynami. Nie umieszczać urządzenia w pobliżu źródeł ciepła i nie wystawiać go na działanie otwartego ognia. Opisane powyżej sytuacje mogą doprowadzić do uszkodzenia urządzenia, być przyczyną nieprawidłowego działania lub zagrożeń. Jeżeli doszłoby do którejś z opisanych sytuacji, należy natychmiast przerwać montaż i zwrócić się o pomoc do Serwisu Technicznego.
- Producent nie ponosi odpowiedzialności za szkody materialne lub osobowe powstałe w wyniku nieprzestrzegania instrukcji montażu. W takich przypadkach, nie ma zastosowania rękojmią za wady materialne.
- Poziom ciśnienia akustycznego emisji skorygowanego charakterystyką A jest niższy od 70 dB(A).
- Przed wykonaniem działań na instalacji (konserwacja, czyszczenie), należy zawsze odłączyć produkt od sieci zasilającej.
- Należy wykonywać okresowe przeglądy instalacji, a w szczególności przewodów, sprężyn i wsporników, celem wykrycia ewentualnego braku wyważenia lub oznak zużycia, czy uszkodzeń. Nie używać w razie konieczności naprawy lub regulacji, ponieważ obecność usterek lub niewłaściwe wyważenie automatyki może prowadzić do poważnych obrażeń.
- Materiał opakowaniowy podlega utylizacji zgodnie z lokalnymi przepisami.

- Osoby trzecie nie powinny się znajdować w pobliżu bramy podczas jej przesuwania przy użyciu elementów sterowniczych.
- Podczas wykonywania manewru, należy nadzorować automatykę i zadbać o to, aby inne osoby nie zbliżały się do urządzenia, aż do czasu zakończenia czynności.
- Nie sterować automatyką, jeżeli w jej pobliżu znajdują się osoby wykonujące czynności; przed wykonaniem tych czynności należy odłączyć zasilanie elektryczne.
- Jeśli przewód zasilający jest uszkodzony, należy go wymienić na identyczny dostępny u producenta lub w serwisie technicznym lub u innej osoby posiadającej porównywalne kwalifikacje, aby uniknąć jakiegokolwiek ryzyka.

OSTRZEŻENIA NA TEMAT MONTAŻU

- Przed zamontowaniem silnika, należy sprawdzić stan wszystkich części mechanicznych, odpowiednie wyważenie i upewnić się, czy możliwe jest prawidłowe manewrowanie automatyką.
- Jeżeli brama przeznaczona do zautomatyzowania posiada również drzwi dla pieszych, należy przygotować instalację z systemem kontrolnym, który uniemożliwi działanie silnika, gdy drzwi dla pieszych będą otwarte.
- Upewnić się, że elementy sterownicze znajdują się z dala od części w ruchu, umożliwiając w każdym razie ich bezpośrednią widoczność. W razie niestosowania przełącznika, elementy sterownicze należy montować w miejscu niedostępnym i na minimalnej wysokości 1,5 m.
- Zapobiegać i unikać jakiegokolwiek uwięzienia między częściami stałymi i częściami w ruchu podczas wykonywania manewrów.
- Umieścić na stałe tabliczkę na temat ręcznego manewru w pobliżu elementu umożliwiającego wykonanie manewru.
- Po zamontowaniu silnika należy się upewnić, że prawidłowo funkcjonuje mechanizm, system ochrony i każdy manewr ręczny.

2 OPIS PRODUKTU I JEGO PRZEZNACZENIE

MFAB(...) jest siłownikiem przeznaczonym do automatyzacji jedno lub dwu skrzydłowej bramy. **UWAGA!** – Każde inne użytkowanie od powyżej opisanego i w warunkach innych od wskazanych w instrukcji jest zabronione.

MFAB(...) działa na energię elektryczną, gdy jest jej brak można odsprężyć siłownik właściwym kluczem i otworzyć ręcznie.

3 MONTAŻ

3.1 - Kontrola wstępna

Przed przejściem do instalowania sprawdzić czy struktura jest właściwa, czyli, w innych słowach, odpowiada aktualnie obowiązującym normom i sprawdzić czy: • przy otwieraniu i zamykaniu bramy nie ma punktów nadmiernego tarcia; • brama porusza się cicho i płynnie; • miejsce gdzie ma być zamocowany siłownik jest bezpieczne i odpowiednie dla pracy monterów; • opakowanie jest w integralnym; • Zweryfikować, czy miejsce na zainstalowanie siłownika jest odpowiednie dla wymiarów jego obudowy (**rys 1**); • posiada zderzak krańcowy przy zamykaniu jak i otwieraniu.

UWAGA! – Przypominamy, że MFAB(...) jest urządzeniem napędowym do bramy (jedno lub dwu skrzydłowej), wydajnym i pewnym, ale nie usuwa wad spowodowanych błędnym zainstalowaniem czy źle wykonanymi czynnościami konserwacyjnymi.

3.2 - Ograniczenia w użytkowaniu

Forma, wysokość bramy (np. ślepa) i warunki klimatyczne (np. Silny wiatr) mogą zmniejszyć nawet znacznie wartości wskazane w **Schemat A**. **Adnotacja** – Jeśli każde skrzydło bramy jest dłuższe od 2,5 m zaleca się zainstalowanie zamka elektrycznego (PLA10 lub PLA11).

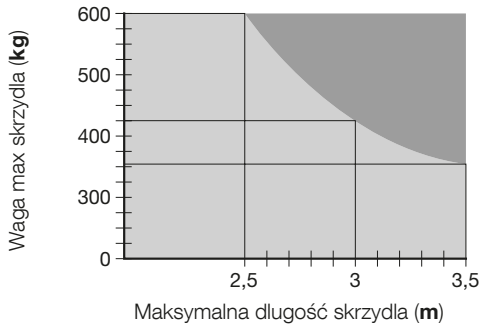
3.3 - Przymocowanie

3.3.1 - Wymiary gabarytowe i wykonanie skrzynki fundamentowej

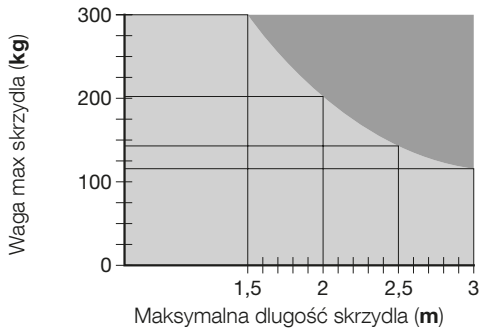
1. Na podstawie wymiarów gabarytowych wykopać dołek na fundamenta (patrz paragraf 4), zaplanować także kanał na odpływ wody.

SCHEMAT A

MFAB3000 • MFAB3010 • MFAB3000L • MFAB3000/110 • MFAB3024

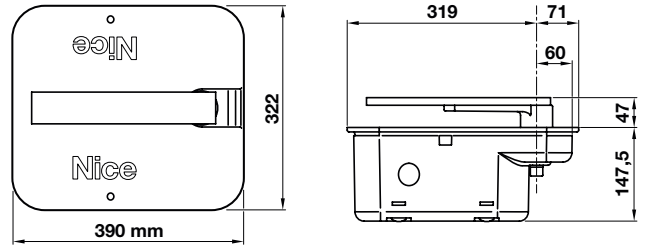


MFAB3024HS

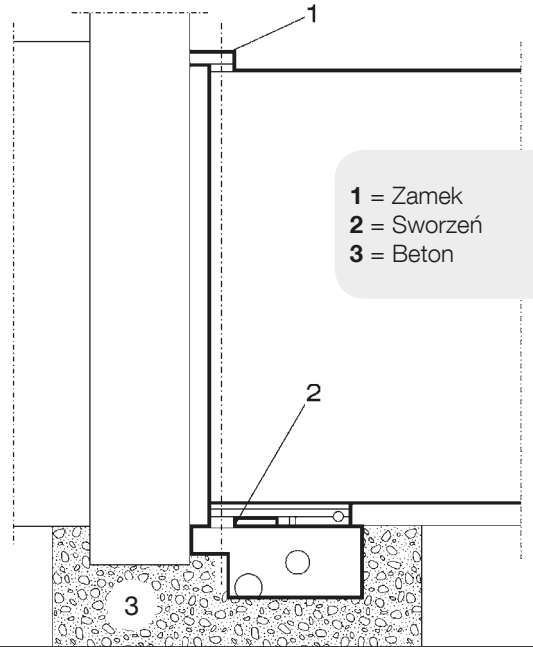


1

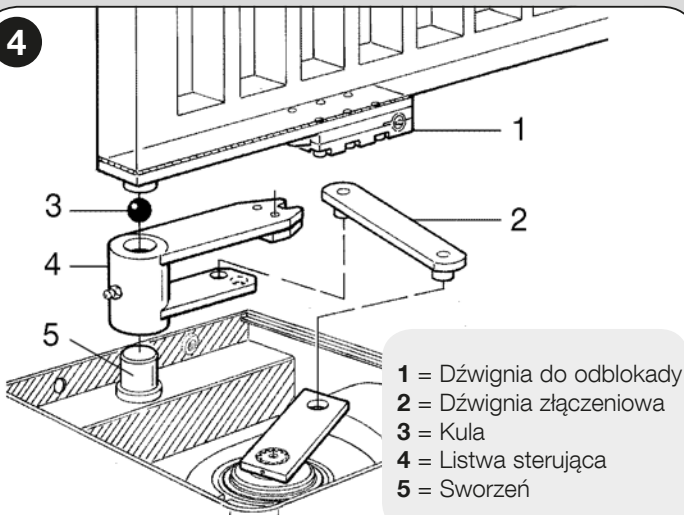
MFABBOXI • MFABBOX



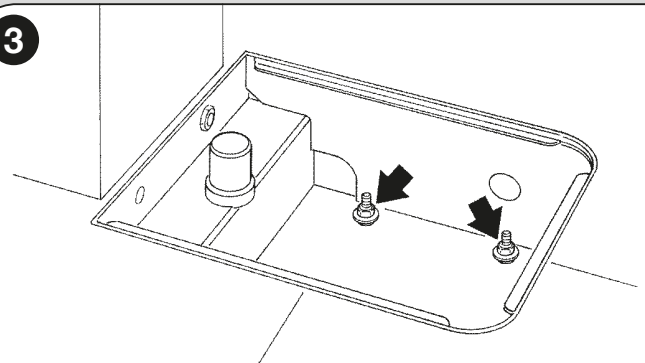
2



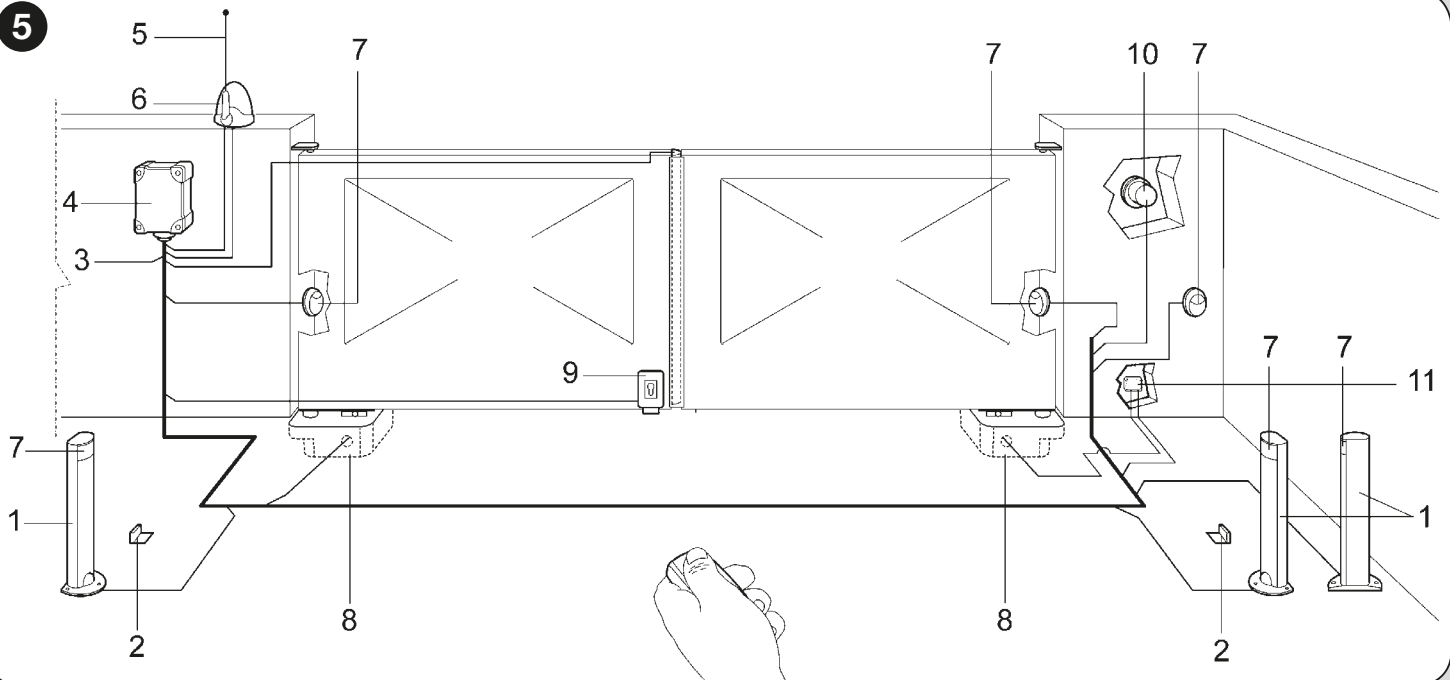
4



3

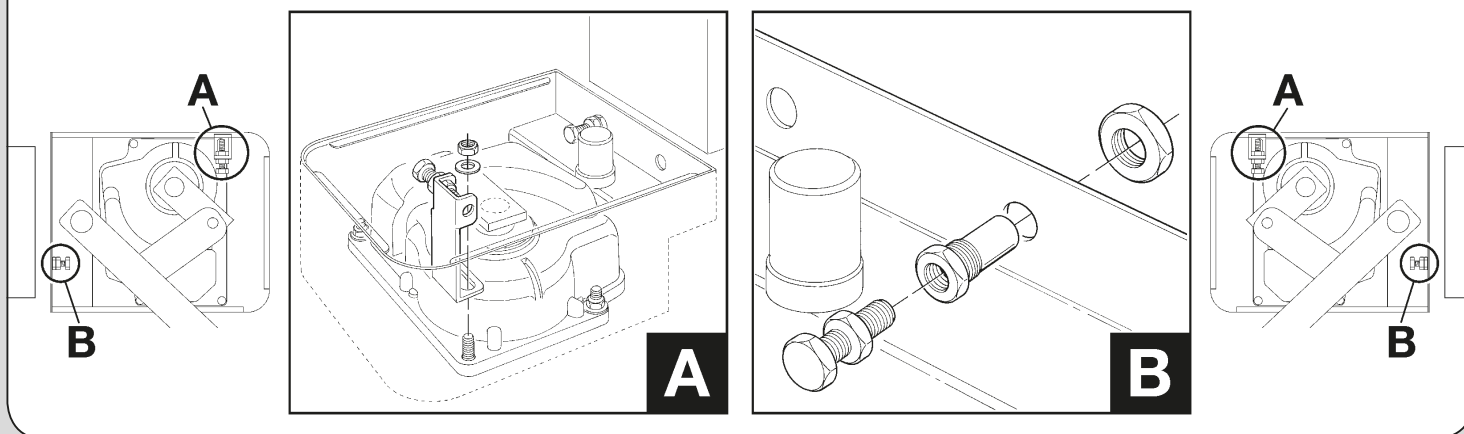


5



6

A - Wyłącznik krańcowy zamykania (dostarczony wraz z silnikiem). Przymocować tak, jak wskazano na rys. A.
B - Wyłącznik krańcowy otwieraniu (dostarczony wraz ze skrzynką). Przymocować tak, jak wskazano na rys. B.



- Przymocować do skrzyni część na zderzak według instrukcji wskazanych na **rys. 6**, tak aby nie popełnić błędu przy mocowaniu.
- Włożyć skrzynkę do dołku tak, aby sworzeń ustawiony był w linii z zamkiem (**rys. 2**).
- Zaplanować przejście kanalika na przewody elektryczne i jeden na drenaż wody.
- Zalać skrzynkę cementem i sprawdzić ustawienie poziomnicą.
- Założyć na sworzeń skrzyni listwa sterująca odblokady uprzednim podłożeniem odstręzionej kulki.
- Oprzeć skrzydło bramy na dźwigni odblokady odblokady przyspawać solidnie.
- Posmarować smarownicą.

3.3.2 - Instalowanie siłownika MFAB(...)

- Odkręcić nakrętki i podkładki tak jak pokazano na **rys. 3**.
- Umieścić siłownik wewnątrz skrzyni i sprawdzić, aby została ona dobrze włożona.
- Zainstalować zderzak wyłącznika krańcowego zamykania we właściwym otworze (**rys. 6**).
- Zablokować siłownik z podkładkami grower i 4 nakrętki samoblokujące znajdujące się w skrzyni z akcesoriami.
- Połączyć z dźwignią złączeniową (2) z siłownikiem do bramy (**rys. 4**).

3.4 - Typowa instalacja (patrz **rys. 5**)

1 = Kolumna na fotokomórki; **2** = Para zderzaków przy otwieraniu; **3** = Linia 230V; **4** = Tablica sterująca (centrala elektryczna); **5** = Antena; **6** = Lampa ostrzegawcza; **7** = Fotokomórka; **8** = Skrzynka z akuatorem MFAB(...); **9** = Elettrozamek pionowy; **10** = Selektor kluczowy lub klawiatura numeryczna; **11** = Skrzynka rozdzielcza (niedostarczona).

4 POŁĄCZENIA ELEKTRYCZNE

4.1(a) - Dla MFAB3000 i MFAB3010 połączyć przewody następująco:

PRZEWÓD	POŁĄCZENIE
przewód Czarny	Faza „otwiera”
przewód Brązowy	Faza „zamyka”
przewód Niebieski	Wspólny
przewód Żółto-zielony	Uziemienie

4.1(b) - Dla MFAB3024 połączyć przewody następująco:

PRZEWÓD	POŁĄCZENIE
przewód Niebieski	Zasilanie silnika 24 V
przewód Brązowy	Zasilanie silnika 24 V
przewód Czarny	Koder
przewód Szary	Koder
przewód Żółto-zielony	Uziemienie

UWAGA! – Silniki posiadają jedno 2 MFAB(...) wy przewód. **ZABRANIA SIĘ wykonywać przedłużen wewnątrz skrzyni, ewentualne połączenia wykonać w odpowiedniej skrzynce rozdzielczej (niedostarczona), co jest bardzo ważne dla utrzymania bezpieczeństwa instalacji.**

4.2 - Ustawienie wyłączników granicznych

Patrz **rys. 6**.

5 TEST KONTROLNY I URUCHOMIENIE

Próby odbiorcze całej automatyki muszą być wykonane przez doświadczony i wykwalifikowany personel, który weźmie na siebie odpowiedzialność za wykonanie swojej pracy i świadomy jest ewentualnego niebezpieczeństwa.

Odbiór MFAB(...) wykonać według poniższej procedury:

- zamknąć bramę; **2.** odciąć zasilanie od centrali; **3.** zablokować siłownik tak, jak podano w Rozdział „Instrukcje i ostrzeżenia przeznaczone dla użytkownika siłownika”; **4.** otworzyć całkowicie ręcznie bramę; **5.** sprawdzić, czy podczas otwierania nie występują tarcia; **6.** sprawdzić, czy po zatrzymaniu w jakimkolwiek punkcie brama nie poruszy się; **7.** sprawdzić funkcjonowanie zabezpieczeń i stan zderzaków mechanicznych; **8.** sprawdzić czy połączenia są ściśnięte do oporu; **9.** wycisnąć wewnątrz skrzyni i sprawdzić czy spust wody funkcjonuje prawidłowo; **10.** po wykonaniu wszystkich kontroli ponownie zablokować siłownik i podłączyć zasilanie centrali; **11.** MFAB(...) nie posiada urządzenia do regulacji momentu dlatego też taka regulacja zostanie wykonana przez centralę sterującą; **12.** zmierzyć siłę uderzenia według normy EN12453 i EN12445.

6 KONSERWACJA PRODUKTU

Siłownik MFAB(...) nie wymaga specjalnych czynności konserwacyjnych, a przewidziana kontrola co sześć miesięcy gwarantuje dłuższą żywotność siłownika i bezpieczne funkcjonowanie systemu. **Czynności konserwacyjne polegają na powtórzeniu procedury prób odbiorczych.**

LIKwidACJA PRODUKTU

Ten produkt jest częścią integracyjną automatu i dlatego, musi być zlikwidowany razem z nim.

Tak jak przy czynnościach montażowych, zarówno po zużyciu produktu, czynności eliminacji muszą być wykonane przez wykwalifikowany personel.

Produkt składa się z różnych materiałów: niektóre mogą być odzyskiwane, inne muszą być zlikwidowane. Dowiedźcie się o systemach odzyskiwania lub likwidacji przewidzianych w prawie obowiązującym na waszym terytorium, dla tej kategorii produktu.

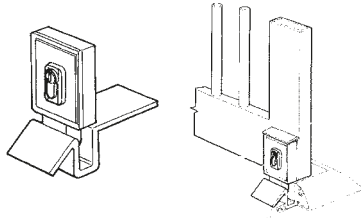
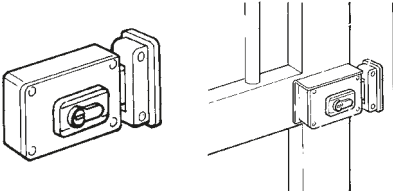
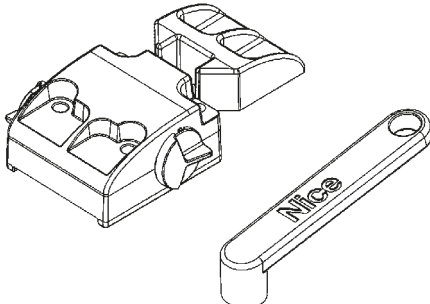
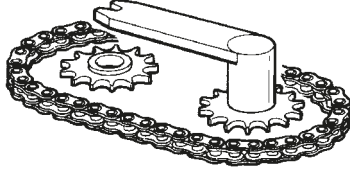
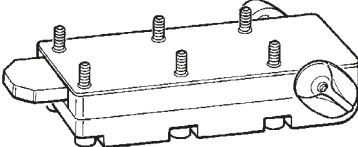
Uwaga! – niektóre części produktu mogą zawierać substancje zanieczyszczające lub niebezpieczne, które rozproszone, mogłyby zagrażać środowisku naturalnemu i ludzkiemu zdrowiu.

Jak wskazuje symbol obok, zabrania się wyrzucania produktu do odpadów domowych. Należy wykonać „selektywną zbiórkę odpadów” dla likwidacji, zgodnie z metodami przewidzianymi przepisami obowiązującymi na waszym terytorium lub oddać produkt sprzedawcy w momencie zakupu nowego równoważnego produktu.

Uwaga! – przepisy obowiązujące na poziomie lokalnym mogą przewidywać poważne kary w przypadku nielegalnej likwidacji tego produktu.



Akcesoria na życzenie

PLA10 Elettrozamek 12 Vca pionowy 	PLA11 Elettrozamek 12 Vca poziomy 	MEA3 Odblokada z dźwignią 
MEA1 Urządzenie otwierające na 360° 	MEA2 Odblokada na zamek 	

CECHY TECHNICZNE PRODUKTU

OSTRZEŻENIE: • Wszystkie przytoczone cechy techniczne, odnoszą się do temperatury otoczenia 20°C (± 5°C). • Nice S.p.a. zastrzega sobie prawo do wprowadzenia zmian w każdym momencie, gdy uzna za konieczne, zachowując tą sama funkcjonalność i użycie.

	MFAB3000	MFAB3010	MFAB3000L	MFAB3000/110	MFAB3024	MFAB3024HS
Zasilenie	230 Vac; 50 Hz	230 Vac; 50 Hz	230 Vac; 50 Hz	110 Vac; 60 Hz	24 Vdc	24 Vdc
Prąd absorbowany	1.2 A	1.2 A	1.3 A	2.4 A	5 A	6 A
Moc absorbowana	250 W	250 W	300 W	250 W	120 W	170 W
Wbudowany kondensator	10 uF	10 uF	10 uF	30 uF	—	—
Stopień zabezpieczenia	IP 67	IP 67	IP 67	IP 67	IP 67	IP 67
Prędkość	1.14 Rpm	1.14 Rpm	0.8 Rpm	1.4 Rpm	1.4 Rpm	2.6 Rpm
Moment	300 Nm	300 Nm	250 Nm	300 Nm	250 Nm	180 Nm
Temperatura pracy	od -20 °C do +50 °C					
Termo zabezpieczenie	140 °C	140 °C	140 °C	140 °C	—	—
Cykl pracy	30 %	40 %	30 %	30 %	80 %	80 %
Waga	11 kg	11.5 kg	11 kg	11 kg	11 kg	11 kg

Deklaracja zgodności CE i deklaracja włączenia maszyny nieukończonyj

Deklaracja zgodna z dyrektywami: 2014/30/UE (EMC); 2006/42/WE (MD) załącznik II, część B.

Uwaga - Treść niniejszej deklaracji jest zgodna z oficjalną deklaracją zdeponowaną w siedzibie Nice S.p.a., a w szczególności z najnowszą wersją dostępną przed wydrukowaniem niniejszego podręcznika. Niniejszy tekst został dostosowany pod kątem wydawniczym. Kopię oryginalnej deklaracji zgodności można otrzymać od firmy Nice S.p.a. (TV) I.

Numer deklaracji: **134/MFAB** Weryfikacja: **14** Język: **PL**

Nazwa producenta: NICE s.p.a.

Adres: Via Pezza Alta N°13, 31046 Rustignè di Oderzo (TV), Włochy.

Osoba upoważniona do sporządzenia dokumentacji technicznej: NICE s.p.a. - Via Pezza Alta N°13, 31046 Rustignè di Oderzo (TV), Włochy.

Typ produktu: Siłownik elektromechaniczny do bram skrzydłowych.

Model/Typ: MFAB3024, MFAB3000, MFAB3000L, MFAB3000/110, MFAB3010, MFAB3024HS

Akcesoria: Nie urządzenia.

Ja, niżej podpisany Roberto Griffa, jako Chief Executive Officer deklaruje na własną odpowiedzialność, że wyżej wymienione produkty są zgodne z następującymi dyrektywami:

- Dyrektywa PARLAMENTU EUROPEJSKIEGO I RADY 2014/30/UE z dnia 26 lutego 2014 r. w sprawie ujednoczenia prawodawstwa państw członkowskich w zakresie zgodności elektromagnetycznej (przekształcenie), zgodnie z następującymi normami zharmonizowanymi: EN 61000-6-2:2005; EN 61000-6-3:2007 + A1:2011.

Ponadto produkt jest zgodny z następującą dyrektywą w zakresie wymagań dotyczących maszyn nieukończonyj:

- Dyrektywa PARLAMENTU EUROPEJSKIEGO I RADY NR 2006/42/WE z dnia 17 maja 2006 r. dotycząca maszyn, zmieniająca dyrektywę 95/16/WE (przekształcenie).

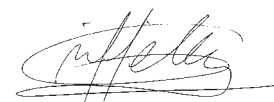
- Niżej podpisany deklaruje, że stosowna dokumentacja techniczna została sporządzona zgodnie z załącznikiem VII B dyrektywy 2006/42/WE oraz, że spełnione zostały następujące wymagania podstawowe: 1.1.1 - 1.1.2 - 1.1.3 - 1.2.1 - 1.2.6 - 1.5.1 - 1.5.2 - 1.5.5 - 1.5.6 - 1.5.7 - 1.5.8 - 1.5.10 - 1.5.11.
- Producent zobowiązuje się do przekazania władzom krajowym, w odpowiedzi na uzasadnione zapytanie, informacji dotyczących maszyny nieukończonyj, zachowując całkowicie swoje prawa do własności intelektualnej.
- Jeżeli maszyna nieukończonyj oddana zostanie do eksploatacji w kraju europejskim, którego język urzędowy jest inny niż język niniejszej deklaracji, importer ma obowiązek dołączyć do niniejszej deklaracji stosowne tłumaczenie.
- Ostrzegamy, że maszyny nieukończonyj nie należy uruchamiać do czasu, kiedy maszyna końcowa, do której zostanie włączona, nie uzyska deklaracji zgodności (jeżeli wymagana,) z założeniami dyrektywy 2006/42/WE.

Ponadto produkt jest zgodny z następującymi normami: EN 60335-1:2002 + A1:2004 + A11:2004 + A12:2006 + A2:2006 + A13:2008 + A14:2010 + A15:2011; EN 60335-2-103:2003 + A11:2009.

Produkt jest zgodny z następującymi normami (w zakresie mających zastosowanie części): EN 13241-1:2003 + A1:2011; EN 12445:2002; EN 12453:2002; EN 12978:2003 + A1:2009.

Oderzo, dnia 21 kwiecień 2016 roku

Inż. **Roberto Griffa**
(Chief Executive Officer)



1 ALGEMENE WAARSCHUWINGEN EN VOORZORGSMAATREGELEN VOOR DE VEILIGHEID

ALGEMENE WAARSCHUWINGEN

- **LET OP! - Belangrijke aanwijzingen voor de veiligheid. Leef alle voorschriften na, want een niet correct uitgevoerde installatie kan ernstige schade veroorzaken.**
- **LET OP! - Belangrijke aanwijzingen voor de veiligheid. Het is belangrijk dat deze instructies worden opgevolgd voor de veiligheid van personen. Bewaar deze instructies.**
- Voordat u begint met de installatie dient u de "Technische kenmerken van het product" (in deze handleiding) te controleren, in het bijzonder of dit product geschikt is voor uw geleide onderdeel. Als het product niet geschikt is, mag u NIET overgaan tot de installatie.
- Het product mag niet worden gebruikt voordat de inbedrijfstelling heeft plaatsgevonden zoals gespecificeerd in het hoofdstuk "Eindtest en inbedrijfstelling".
- **LET OP! - Volgens de meest recente Europese wetgeving moet het uitvoeren van een automatisering voldoen aan de geharmoniseerde normen van de geldende Machinerichtlijn, waarbij een verklaring van de conformiteit van de automatisering afgegeven kan worden. In verband hiermee moeten alle werkzaamheden in verband met de aansluiting op de elektrische voeding, de eindtest, de inbedrijfstelling en het onderhoud van het product uitsluitend worden uitgevoerd door een gekwalificeerde en deskundige monteur!**
- Voordat u met de installatie van het product begint, dient u te controleren of al het te gebruiken materiaal in optimale staat en geschikt voor gebruik is.
- **LET OP! - Om ieder risico op onvoorzien heropstarten van het thermische onderbrekingsmechanisme te vermijden, mag dit apparaat niet worden gevoed via een externe regelaar zoals een timer, noch worden aangesloten op een circuit dat regelmatig wordt in- of uitgeschakeld.**
- U moet op het spanningsnet van de installatie een uitschakelapparaat aansluiten (niet meegeleverd) met een openingsafstand tussen de contacten waarbij volledige uitschakeling mogelijk is bij de condities die gelden voor overspanningscategorie III.
- Behandel het product tijdens de installatie met zorg en voorkom dat het wordt geplet, dat er tegen wordt gestoten, dat het valt of dat het in aanraking komt met welke vloeistoffen dan ook. Zet het product niet in de buurt van warmtebronnen en stel het niet bloot aan open vuur. Hierdoor kan het beschadigd worden, waardoor storingen of gevaarlijke situaties kunnen ontstaan. Als dit gebeurt, stopt u de installatie onmiddellijk en wendt u zich tot de klantendienst.
- De fabrikant is niet aansprakelijk voor materiële schade, zowel aan personen als aan voorwerpen, die voortvloeit uit de niet-naleving van de montage-instructies. In die gevallen is enige garantie voor materiaalfouten uitgesloten.
- Het geluidsdrukniveau van de gemeten emissie A bedraagt minder dan 70 dB(A).
- Voordat u werkzaamheden aan de installatie uitvoert (onderhoud, reiniging), moet het product altijd worden losgekoppeld van de netvoeding.
- Controleer de installatie regelmatig. Controleer met name de kabels, de veren en de steunen om eventuele verstoringen van de balancering en tekenen van slijtage of beschadiging in een vroeg stadium op te merken. Gebruik het apparaat nooit als het gerepareerd of opnieuw afgesteld moet worden; een storing in de installatie of een niet-correcte balancering van de automatisering kan tot letsel leiden.
- Het verpakkingsmateriaal moet volgens de plaatselijk geldende voorschriften afgevoerd worden.
- Houd personen uit de buurt van de poort wanneer deze wordt bewogen met behulp van de bedieningselementen.
- Controleer de automatisering tijdens het uitvoeren van de manoeuvre en houd personen op enige afstand tot de beweging voltooid is.

- Bedien het product niet als er personen in de buurt zijn die werkzaamheden op de automatisering uitvoeren; koppel de elektrische voeding los alvorens deze werkzaamheden te laten uitvoeren.
- Als de voedingskabel beschadigd is, moet deze worden vervangen door de fabrikant of door de technische ondersteuningdienst, of in ieder geval door een monteur met een vergelijkbare kwalificatie om ieder risico uit te sluiten.

WAARSCHUWINGEN M.B.T. DE INSTALLATIE

- Controleer voordat u de bewegingsmotor installeert of alle mechanische onderdelen in goede staat zijn, volgens de regels gebalanceerd zijn en of de automatisering correct kan worden gemanoeuvrerd.
- Als het te automatiseren hek van een voetgangersdeur is voorzien, moet de installatie een controlesysteem krijgen, dat de werking van de motor blokkeert als de voetgangersdeur open is.
- Verzeker u ervan dat de bedieningselementen uit de buurt van de bewegende onderdelen worden gehouden, maar wel direct zicht op de poort geven. Tenzij u een schakelaar gebruikt, moeten de bedieningselementen op een hoogte van minimaal 1,5 m worden geïnstalleerd en mogen ze niet toegankelijk zijn.
- Voorkom en vermijd elke vorm van blokkering tussen de bewegende en vaste onderdelen tijdens de bewegingen.
- Breng het etiket m.b.t. de handmatige bediening permanent aan in de buurt van het bedieningselement waarmee de handmatige beweging wordt uitgevoerd.
- Verzeker u er na het installeren van de bewegingsmotor van dat het mechanisme, het beveiligingssysteem en alle bewegingen correct functioneren.

2 BESCHRIJVING VAN HET PRODUCT EN GEBRUIKSBESTEMMING

MFAB(...) is een reductiemotor bestemd voor het automatiseren van een draaipoot met één of twee vleugels. **LET OP! – Elke toepassing die afwijkt van wat hierboven beschreven is of plaatsvindt onder andere omstandigheden dan in deze handleiding voorzien is, is verboden.**

MFAB(...) werkt op elektrische energie; in geval van stroomuitval kan de reductiemotor met speciale sleutels ontgrendeld worden en kunnen de vleugels handmatig verplaatst worden.

3 INSTALLATIE

3.1 - Controles vooraf

Alvorens met de installatie te beginnen dient u te verifiëren of de structuur daarvoor geschikt is, met andere woorden conform de geldende voorschriften. Verifieer met name de volgende zaken: • de poort vertoont geen punten waar wrijving bestaat, noch bij sluiting noch bij opening; • de poort is goed uitgebalanceerd is, d.w.z. de poort komt niet in beweging wanneer die op een willekeurige plaats tot stilstand is gebracht; • de poort loopt soepel en regelmatig; • de plaats van bevestiging voor de reductiemotor is gemakkelijk en veilig toegankelijk om de motor met de hand te bedienen; • de verpakking is intact; • controleer of de plaats van bevestiging met de buitenafmetingen van de kist (**afb. 1**) overeen komt; • zorg voor een stop bij sluiting en zo mogelijk ook bij opening.

LET OP! – Denk eraan dat MFAB(...) een poort (met één of twee vleugels) automatiseert die zelf goed moet werken en veilig is, maar dat MFAB(...) geen defecten opheft, die het gevolg zijn van een verkeerd uitgevoerde installatie of van slecht onderhoud.

3.2 - Toepassingslimieten

Als gevolg van de vorm en de hoogte van de poort (b.v. een dichte poort) of bepaalde weersomstandigheden (bijvoorbeeld de aanwezigheid van sterke wind), kunnen de waarden in de **Grafiek A** aanzienlijk lager komen te liggen.

Opmerking: – Indien elke afzonderlijke vleugel van de poort langer dan 2,5 m is, verdient het aanbeveling een elektrische slot (PLA10 of PLA11) te monteren.

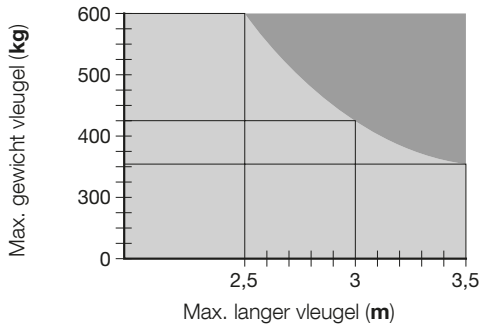
3.3 - Bevestiging

3.3.1 - Afmetingen in beslag genomen ruimte en positionering van de funderingskist

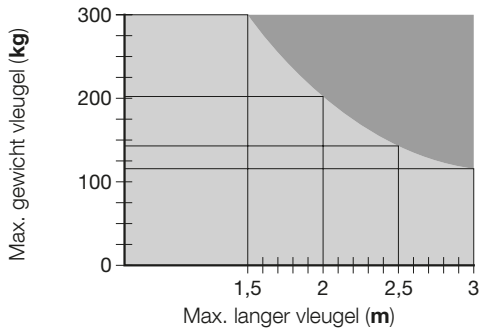
1. Maak op grond van de benodigde ruimte een funderingsput, waarbij u voor een goede drainage dient te zorgen, zodat het water niet kan blijven staan.
2. Bevestig het accessoire voor de eindschakelaar bij opening aan de kist waarbij u de aanwijzingen zoals op de **afb. 6**, te zien is nauwkeurig opvolgt

GRAFIEK A

MFAB3000 • MFAB3010 • MFAB3000L • MFAB3000/110 • MFAB3024

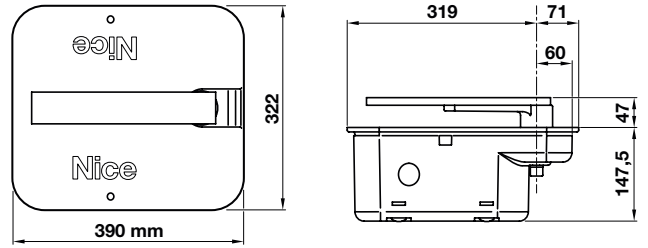


MFAB3024HS

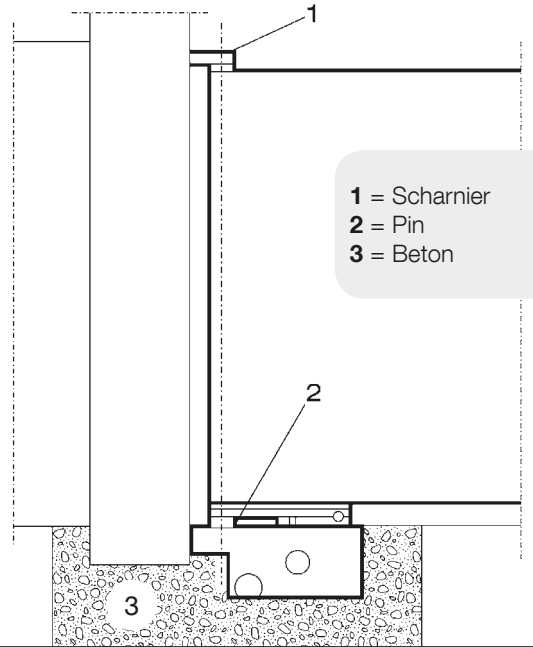


1

MFABBOXI • MFABBOX

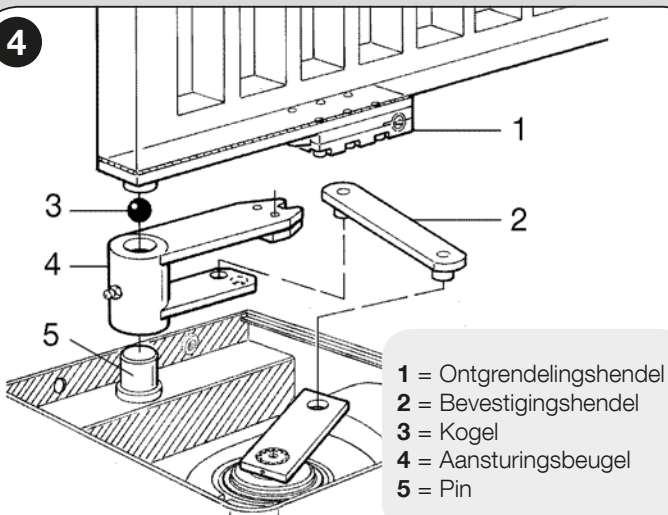


2



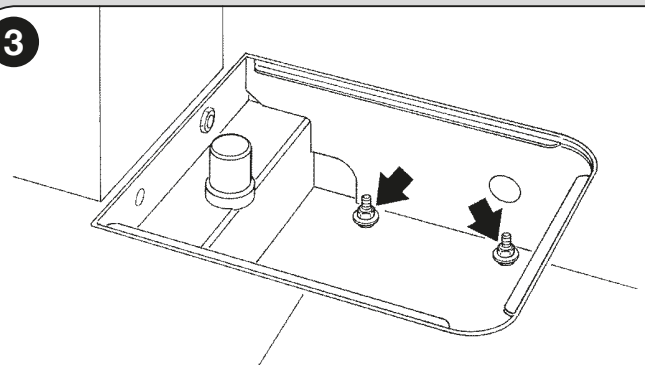
- 1 = Scharnier
- 2 = Pin
- 3 = Beton

4

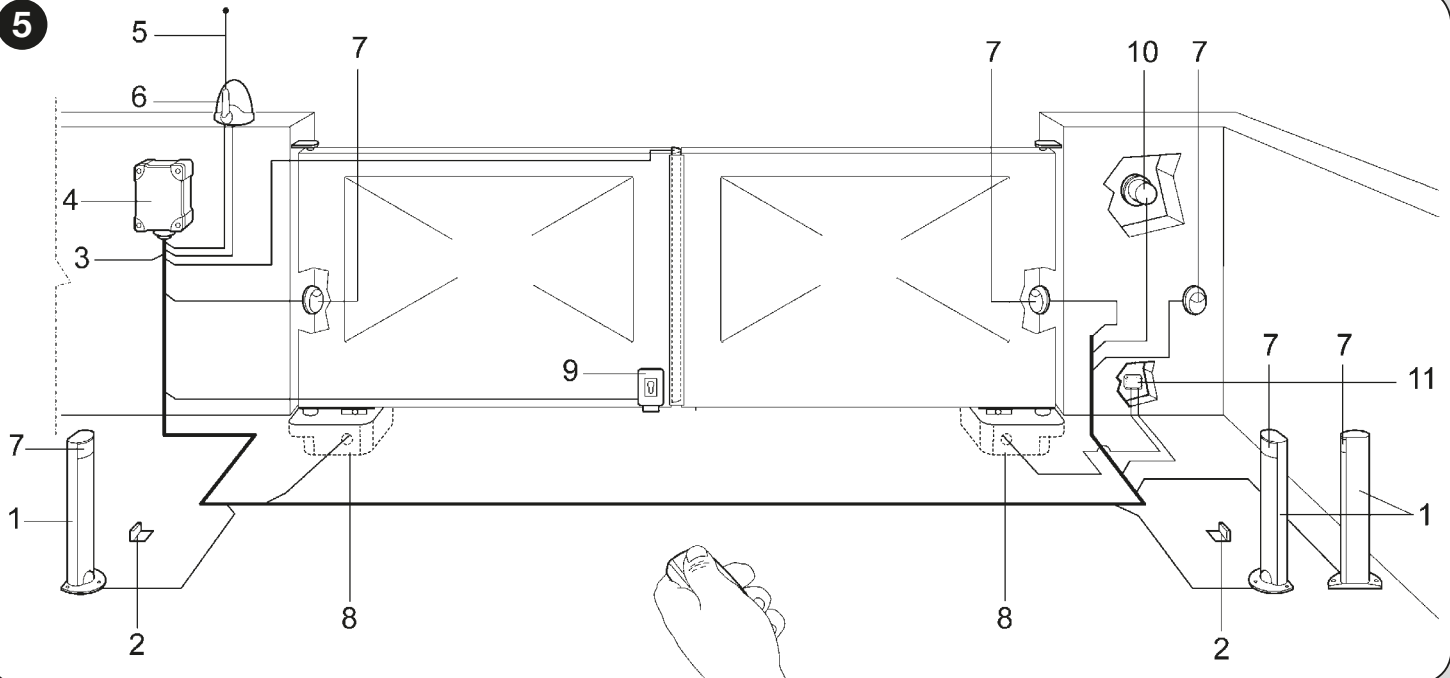


- 1 = Ontgrendelingshendel
- 2 = Bevestigingshendel
- 3 = Kogel
- 4 = Aansturingsbeugel
- 5 = Pin

3



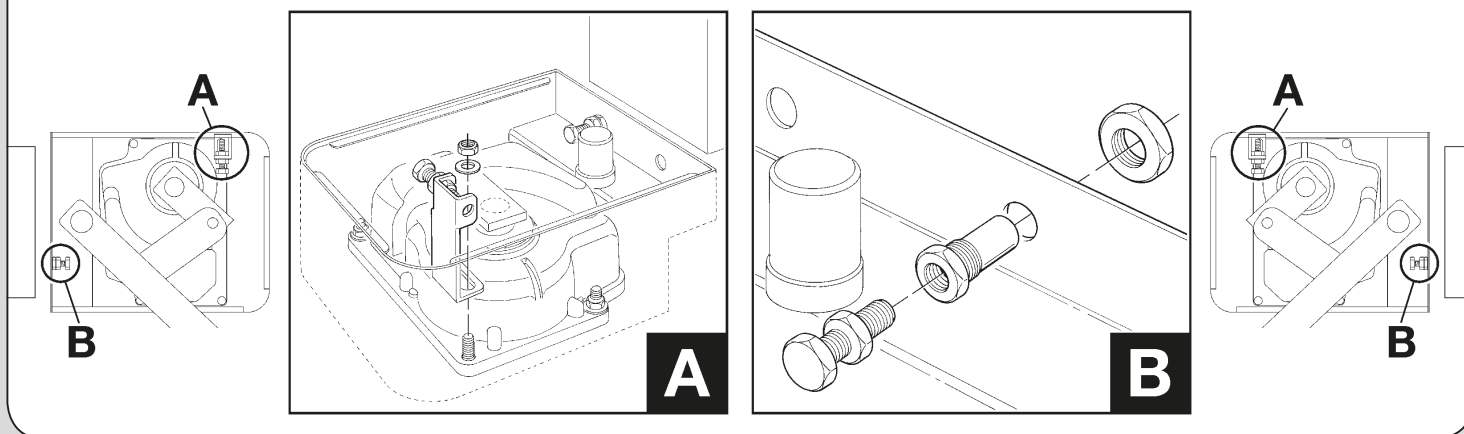
5



6

A - Eind aanslag bij sluiting (meegeleverd met de motor). Te bevestigen als op de afb. A.

B - Eind aanslag bij opening (meegeleverd met de kist). Te bevestigen als op de afb. B.



teneinde een verkeerde montage te voorkomen.

- Plaats de kist in de gegraven kuil waarbij de pin op één lijn staat met de as van het scharnier (afb. 2).
- Breng een leiding voor de elektriciteitskabels aan en één voor drainage.
- Stort het cement over de funderingskist waarbij u ervoor dient te zorgen dat deze waterpas en op de goede hoogte staat.
- Plaats de o Aansturingsbeugel op de pin van de kist en zorg ervoor de meegeleverde kogel ertussen aan te brengen.
- Laat de vleugel van het hek op de ontgrendelingshendel rusten en soldeer die goed vast.
- Smeer via de daartoe bestemde smeeroening.

3.3.2 - Installatie van de reductiemotor MFAB(...)

- Verwijder de moeren en ringen, getoond in afb. 3.
- Plaats de reductiemotor in de funderingskist en zorg ervoor dat die in de goede richting aangebracht is.
- Bevestig de beugel voor de eind aanslag bij sluiting in de daarvoor bestemde opening (afb. 6).
- Zet de reductiemotor vast met de borgringen grower en de 4 zelfblokkerende moeren die u in de doos met accessoires vindt.
- Bevestig de reductiemotor met de bevestigingshendel (2) aan de poort (afb. 4).

3.4 - Voorbeeld van een installatie (zie afb. 5)

1 = Zuiltje voor fotocel; 2 = Stel stops bij opening; 3 = Leiding 230 V; 4 = Bedieningspaneel (elektrische besturingseenheid); 5 = Antenne; 6 = Knipperlicht; 7 = Fotocel; 8 = Kist met aandrijving MFAB(...); 9 = Verticaal elektrisch slot; 10 = Sleutelschakelaar of codeschakelaar; 11 = Aftakdoos (niet meegeleverd).

4 ELEKTRISCHE AANSLUITINGEN

4.1(a) - Sluit voor de MFAB3000 en MFAB3010 de kabels als volgt aan:

DRAAD	AANSLUITING
Zwarte draad	Fase "open"
Bruine draad	Fase "sluit"
Blaue draad	Gemeenschappelijk
Geel-groene draad	Aarde

4.1(b) - Sluit voor de MFAB3024 de kabels als volgt aan:

DRAAD	AANSLUITING
Blaue draad	Voeding motor 24 V
Bruine draad	Voeding motor 24 V
Zwarte draad	Encoder
Grijze draad	Encoder
Geel-groene draad	Aarde

LET OP! - De motoren beschikken over een kabel met een lengte van 2 meter. **HET IS VERBODEN** verbindingen binnen in de kist uit te voeren; gebruik voor eventuele verbindingen uitsluitend de speciale aftakdoos (niet meegeleverd), teneinde de veiligheid van de installatie te bewaren.

4.2 - Bevestig de eind aanslag

Zie afb. 6.

5 TESTEN EN INDIENSTELLING

De opleveringstest van de gehele installatie dient door vakbekwaam en deskundig personeel uitgevoerd te worden dat ook moet bepalen welke tests er op basis van de aanwezige risico's nodig zijn.

Voor de opleveringstest van MFAB(...) dient u als volgt te werk te gaan:

- sluit de poort; 2. onderbreek de stroomtoevoer naar de besturingseenheid; 3. ontgrendel de reductiemotor van de vleugel zoals dat is aangegeven in het Hoofdstuk "Aanwijzingen en aanbevelingen bestemd voor de gebruiker van de reductiemotor"; 4. zet de poort handmatig helemaal open; 5. controleer dat de poort tijdens de manoeuvre nergens wrijving ondergaat; 6. controleer dat de poort niet in beweging komt wanneer deze op een op een willekeurige plaats tot stilstand is gebracht en ontgrendeld is; 7. controleer of de veiligheidssystemen en de mechanische stops in goede staat verkeren; 8. controleer of de met schroeven tot stand gekomen bevestigingen goed zijn aangedraaid; 9. maak de binnenkant van de kist goed schoon en controleer of de waterafvoer correct werkt; 10. vergrendel na afloop van deze controles weer de reductiemotor en zet de besturingseenheid weer onder spanning; 11. MFAB(...) heeft geen inrichtingen om het koppel af te stellen, daarom is deze afstelling de taak van de besturingseenheid; 12. meet de stootkracht, zoals dat voorzien is in de normen EN12453 en EN12445.

6 ONDERHOUD VAN HET PRODUCT

MFAB(...) vereist geen bijzonder onderhoud, maar een geprogrammeerde controle tenminste eens in het half jaar verzekert u ervan dat de reductiemotor langer mee zal gaan en dat het systeem correct en veilig zal werken.

Het onderhoud bestaat simpelweg uit het uitvoeren van de procedure met betrekking tot de opleveringstest.

VERWIJDERING VAN HET PRODUCT

Dit product is een integrerend deel van de automatisering en ze moeten dus samen verwijderd worden.

Zoals voor de installatiewerkzaamheden moeten, op het einde van de levensduur van dit product, de ontmantelingswerkzaamheden door bevoegd personeel uitgevoerd worden.

Dit product bestaat uit verschillende soorten materiaal: sommige kunnen gerecycled worden, andere moeten verwijderd of verwerkt worden. Informeer u over de recyclagesystemen en de verwijdering voorzien voor deze productcategorie door de van kracht zijnde normen in het land van gebruik.

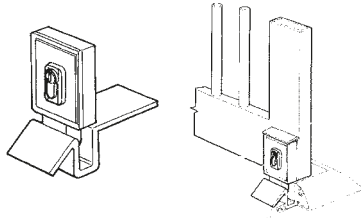
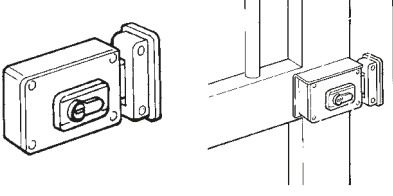
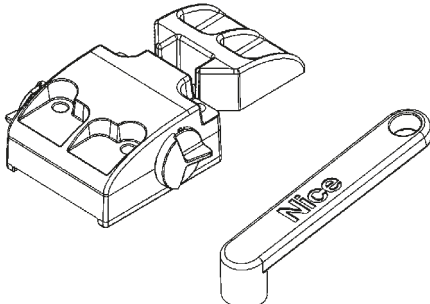
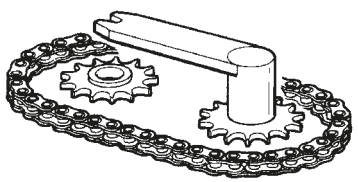
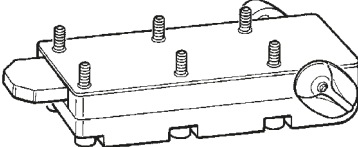
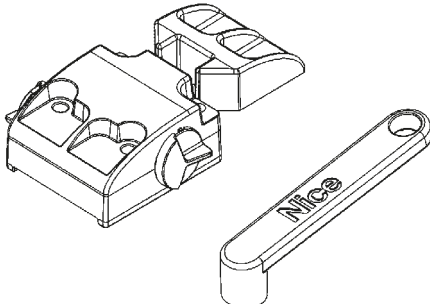
Opgepast! - sommige delen van het product kunnen vervuilde of gevaarlijke stoffen bevatten die indien verspreid in de omgeving de oorzaak kunnen zijn van schadelijke gevolgen op het milieu en de gezondheid.

Zoals aangeduid door het symbool hiernaast, het is verboden dit product in de huisafval te werpen. Voor de verwijdering moet de "gescheiden inzameling" uit gevoerd worden, volgens de methodes voorzien door de van kracht zijnde voorschriften in het land van gebruik. Het product kan ook aan de verkoper terugbezorgd worden wanneer een nieuw gelijkaardig product wordt aangekocht.

Opgepast! - de van kracht zijnde voorschriften op lokaal gebied kunnen zware boetes voorzien indien het product niet op correcte wijze wordt verwijderd.



Op bestelling leverbare accessoires

PLA10 Verticaal 12 Vca-elektrisch slot 	PLA11 Horizontaal 12 Vca-elektrisch slot 	MEA3 Ontgrendeling met speciale hendel 
MEA1 Inrichting voor opening op 360° 	MEA2 Ontgrendeling met slot 	

TECHNISCHE EIGENSCHAPPEN VAN HET PRODUCT

AANWIJZINGEN: • Alle vermelde technische eigenschappen hebben betrekking op het product bij een omgevingstemperatuur van 20°C (± 5°C). • De firma Nice S.p.a. behoudt zich het recht voor, op om het even welk ogenblik dat zij het nodig acht, wijzigingen aan te brengen, terwijl dezelfde functionaliteit en gebruiksbestemming wordt behouden.

	MFAB3000	MFAB3010	MFAB3000L	MFAB3000/110	MFAB3024	MFAB3024HS
Stroomvoorziening	230 Vac; 50 Hz	230 Vac; 50 Hz	230 Vac; 50 Hz	110 Vac; 60 Hz	24 Vdc	24 Vdc
Opgenomen stroom	1.2 A	1.2 A	1.3 A	2.4 A	5 A	6 A
Opgenomen vermogen	250 W	250 W	300 W	250 W	120 W	170 W
Ingebouwde condensator	10 uF	10 uF	10 uF	30 uF	—	—
Beschermingsklasse	IP 67	IP 67	IP 67	IP 67	IP 67	IP 67
Snelheid	1.14 Rpm	1.14 Rpm	0.8 Rpm	1.4 Rpm	1.4 Rpm	2.6 Rpm
Koppel	300 Nm	300 Nm	250 Nm	300 Nm	250 Nm	180 Nm
Bedrijfstemperatuur	van -20 °C tot +50 °C					
Oververhittingsbeveiliging	140 °C	140 °C	140 °C	140 °C	—	—
Werkingscyclus	30 %	40 %	30 %	30 %	80 %	80 %
Gewicht	11 kg	11.5 kg	11 kg	11 kg	11 kg	11 kg

CE-verklaring van overeenstemming en inbouwverklaring betreffende niet voltloide machines

Verklaring conform Richtlijnen: 2014/30/UE (EMC); 2006/42/CE (MD) bijlage II, deel B.

Opmerking - De inhoud van deze verklaring komt overeen met hetgeen is vastgelegd in het officiële document dat is gedeponneerd ten kantore van Nice S.p.a., en in het bijzonder met de laatste herziene en beschikbare versie ervan, vóór het drukken van deze handleiding. De hier gepresenteerde tekst is herzien om redactionele redenen. Een copie van de oorspronkelijke verklaring kan worden aangevraagd bij Nice S.p.a. (TV) Italië.

Nummer verklaring: **134/MFAB** Revisie: **14** Taal: **NL**

Naam fabrikant: NICE s.p.a.

Adres: Via Pezza Alta N°13, 31046 Rustignè di Oderzo (TV), Italië

Persoon gemachtigd tot het samenstellen van het technisch dossier: NICE s.p.a. - Via Pezza Alta N°13, 31046 Rustignè di Oderzo (TV), Italië

Type product: Elektromechanische reductiemotor voor draaiportoren.

Model / Type: MFAB3024, MFAB3000, MFAB3000L, MFAB3000/110, MFAB3010, MFAB3024HS

Accessoires: Geen uitrustingen.

Ondergetekende Roberto Griffa, verklaart onder eigen verantwoordelijkheid als Chief Executive Officer dat de producten voldoen aan de vereisten van de hierop volgende richtlijnen:

- RICHTLIJN 2014/30/UE VAN HET EUROPEES PARLEMENT EN DE RAAD VAN DE EUROPESE UNIE van 15 december 2004 betreffende de onderlinge aanpassing van de wetgevingen van de lidstaten inzake elektromagnetische compatibiliteit en tot wijziging van richtlijn 89/336/EEG, volgens de hierop volgende geharmoniseerde normen: EN 61000-6-2:2005; EN 61000-6-3:2007 + A1:2011.

Bovendien voldoet het product aan de hierop volgende richtlijn volgens de voor "pseu-

do machines" geldende vereisten:

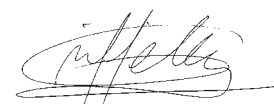
- Richtlijn 2006/42/EG VAN HET EUROPEES PARLEMENT EN DE RAAD VAN DE EUROPESE UNIE van 17 mei 2006 betreffende machines en tot wijziging van Richtlijn 95/16/EG (herschikking)
- Hierbij verklaart men dat het relevante technische dossier is ingevuld volgens de aanwijzingen in bijlage VII B van de richtlijn 2006/42/EG en dat daarbij aan de hierop volgende verplichte eisen is voldaan: 1.1.1 - 1.1.2 - 1.1.3 - 1.2.1 - 1.2.6 - 1.5.1 - 1.5.2 - 1.5.5 - 1.5.6 - 1.5.7 - 1.5.8 - 1.5.10 - 1.5.11.
- De fabrikant zal zorgdragen voor de overdracht van informatie betreffende de niet voltloide machine, op speciaal verzoek van de wetgevende instanties zonder daarbij schade te doen toekomen aan zijn eigen intellectueel eigendomsrecht.
- Mocht de onvoltloide machine in gebruik worden genomen in een land waar een andere taal wordt gesproken dan in deze verklaring is gebruikt, is de importeur verplicht de vertaling van het desbetreffende document aan de documentatie toe te voegen.
- Het is niet toegestaan de niet voltloide machine in gebruik te nemen voordat de uiteindelijke machine waarop deze zal worden ingebouwd, en indien van toepassing geschikt is verklaard volgens de richtlijn 2006/42/EG.

Bovendien voldoet het product aan de hierop volgende normen: EN 60335-1:2002 + A1:2004 + A11:2004 + A12:2006 + A2:2006 + A13:2008 + A14:2010 + A15:2011; EN 60335-2-103:2003 + A11:2009.

Het product voldoet, waar van toepassing, aan de hierop volgende normen: EN 13241-1:2003 + A1:2011; EN 12445:2002; EN 12453:2002; EN 12978:2003 + A1:2009.

Oderzo, 21 april 2016

Ing. **Roberto Griffa**
(Chief Executive Officer)



EN - OPERATION MANUAL

IT - MANUALE D'USO

FR - GUIDE DE L'UTILISATEUR

ES - MANUAL DE USO

DE - GEBRAUCHSANLEITUNG

PL - INSTRUKCJA OBSŁUGI

NL - GEBRUIKSHANDLEIDING

Even if your automated system satisfies regulatory safety levels, this does not eliminate "residue risks", that is, the possibility of dangerous situations being generated, usually due to irresponsible or incorrect use. For this reason we would like to give you some suggestions on how to avoid these risks.

- **Before using your automated system for the first time**, ask your fitter to explain how residue risks can arise and spend a few minutes reading the **instructions and warnings for the user** handbook that the fitter will have given you. Keep this manual for future use and, if you should ever sell your automated system, hand it over to the new owner.

ATTENTION! – Your automation is a machine that follows your command faithfully; irresponsible and improper use can make it become dangerous:

- Do not command movement of the automation if there are persons, animals or objects within its radius of action.
- When operating a biased-off switch, make sure that other persons are kept away.
- When operating the gate, keep an eye on the automated mechanism and keep all bystanders at a safe distance until the movement has been completed.
- It is prohibited to touch parts of the automation while the gate or the door is in movement!
- The photocells are not a safety device but just an auxiliary device regarding safety. They are constructed with very high reliability technology but can, in extreme situations, undergo malfunctioning or even break and, in certain cases, the breakdown may not be immediately evident. For this reason, when using the automation, it is necessary to pay attention to the following warnings:
 - Transit is only allowed when the gate or door is completely open with the panels at a standstill
 - IT IS PROHIBITED to transit while the gate or door is closing!
 - Periodically check the correct functioning of the photocells and have the envisioned maintenance checks performed at least every 6 months.
- **Children:**
 - This product is not intended to be used by persons (including children) whose physical, sensory or mental capacities are reduced, or who lack the necessary experience or skill.
 - Children must not play with the appliance.
 - Do not allow children to play with the fixed control devices of the product. Keep the remote controls away from children.
 - Cleaning and maintenance to be carried out by the user must not be carried out by unsupervised children.
- **Anomalies:** if any anomalous behaviour is noticed, remove the electric power input to the plant and manually release the gear motor (see respective instruction manual) to make the gate function manually. Do not perform any self-taught repairs but request the intervention of your local installer.
- **Maintenance:** regular maintenance is required to keep the level of safety constant and guarantee the maximum duration of the entire automation

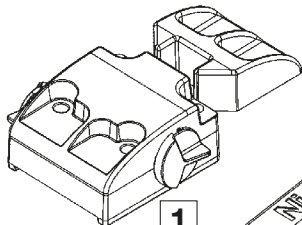

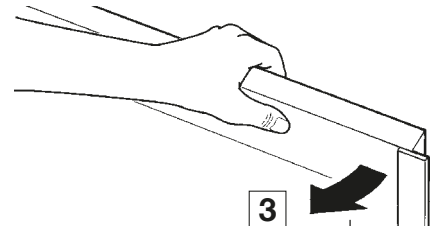
(every 6 months). **Any control, maintenance or repairs operation must only be performed by qualified staff.**

- Before working on the system (maintenance, cleaning), always disconnect the product from the mains power supply.
- Do not operate the product if anyone is working nearby; disconnect its power supply before permitting such work to be done.
- **Do not modify the plant and programming parameters and control unit regulation: your installer is responsible.**
- **The inspection, periodic maintenance and any repairs must be documented by whoever is carrying out the job.** The documents must be kept by the owner of the plant. The only interventions that the user can perform periodically are cleaning the lenses of the photocells (use a slightly damp soft cloth) and the removal of any leaves or stones that could block the automation. **Important** – Release the gear motor manually before proceeding in order to prevent the gate being activated accidentally (see respective instruction book).
- **Disposal:** at the end of the automation's life span, make sure that it is disposed of by qualified staff and that the materials are re-cycled or disposed of in compliance with the Standards valid at a local level.
- **Breakage or power cut:** while waiting for the intervention of your installer or the return of the power input, if the plant does not have buffer batteries, the automation can be used all the same: the gear motor must be released manually (see the dedicated paragraph successively) and move the gate panel manually as desired.

RELEASE AND BLOCK THE GEAR MOTOR MANUALLY

The gear motor has a mechanical system that allows to open and close the gate manually.

These manual operations must be performed if there is a power cut or functioning anomalies.

	MEA2 Type KEY-Operated Release	MEA3 Type Lever-Operated Release
1	Pull down the lock cover.	
2	Insert the key and rotate it 90° clockwise.	
3	Move the gate manually. WARNING! – To restore automatic operation, relock the gate with the key (rotate the key 90°, counterclockwise).	



Istruzioni ed avvertenze destinate all'utilizzatore del motoriduttore

Anche se l'automazione in vostro possesso soddisfa il livello di sicurezza richiesto dalle normative, questo non esclude l'esistenza di un "rischio residuo", cioè la possibilità che si possano generare situazioni di pericolo, solitamente dovute ad un utilizzo incosciente o addirittura errato. Per questo motivo desideriamo darvi alcuni consigli sui comportamenti da seguire per evitare ogni inconveniente.

- **Prima di usare per la prima volta l'automazione**, fatevi spiegare dall'installatore l'origine dei rischi residui, e dedicate qualche minuto alla lettura del manuale di **istruzioni ed avvertenze per l'utilizzatore** consegnatovi dall'installatore. Conservate il manuale per ogni dubbio futuro e consegnatelo ad un eventuale nuovo proprietario dell'automazione.

ATTENZIONE! – La vostra automazione è un macchinario che esegue fedelmente i vostri comandi; un uso incosciente ed improprio può farlo diventare pericoloso:

- Non comandate il movimento dell'automazione se nel suo raggio di azione si trovano persone, animali o cose.
- Tenere le persone lontane dalla porta quando questa viene movimentata mediante gli elementi di comando.
- Durante l'esecuzione della manovra controllare l'automazione e mantenere le persone lontano da essa, fino al termine del movimento.
- È assolutamente vietato toccare parti dell'automazione mentre il cancello o il portone è in movimento!
- Le fotocellule non sono un dispositivo di sicurezza ma soltanto un dispositivo ausiliario alla sicurezza. Sono costruite con tecnologia ad altissima affidabilità ma possono, in situazioni estreme, subire malfunzionamenti o addirittura guastarsi e, in certi casi, il guasto potrebbe non essere subito evidente. Per questi motivi, durante l'utilizzo dell'automazione è necessario fare attenzione alle seguenti avvertenze:
 - Il transito è consentito solo se il cancello o portone è completamente aperto e con le ante ferme.
 - È ASSOLUTAMENTE VIETATO transitare mentre il cancello o il portone si sta chiudendo!
 - Verificare periodicamente il corretto funzionamento delle fotocellule e far eseguire i controlli di manutenzione previsti, almeno ogni 6 mesi.

• Bambini:

- Il prodotto non è destinato a essere usato da persone (bambini compresi) le cui capacità fisiche, sensoriali o mentali siano ridotte, oppure con mancanza di esperienza o di conoscenza.
- I bambini non devono giocare con l'apparecchio.
- Non permettere ai bambini di giocare con i dispositivi di comando del prodotto. Tenere i telecomandi lontano dai bambini.
- La pulizia e la manutenzione destinata ad essere effettuata dall'utilizzatore non deve essere effettuata da bambini senza sorveglianza.

- **Anomalie:** se viene notato un qualunque comportamento anomalo dell'automazione, togliere l'alimentazione elettrica all'impianto ed eseguire lo sblocco manuale del motoriduttore (vedere rispettivo manuale istruzioni) per far funzionare manualmente il cancello. Non effettuare alcuna riparazione da autodidatta ma richiedere l'intervento del vostro installatore di fiducia.

- **Manutenzione:** per mantenere costante il livello di sicurezza e per garantire la massima durata dell'intera automazione è necessaria una manutenzione regolare (ogni 6 mesi). **Qualunque intervento di controllo, manutenzione o riparazione deve essere eseguito solo da personale qualificato.**

- Prima degli interventi sull'impianto (manutenzione, pulizia), disconnettere sempre il prodotto dalla rete di alimentazione.
- Non comandare il prodotto se nelle sue vicinanze ci sono persone che svolgono lavori sull'automazione; scollegate l'alimentazione elettrica prima di far eseguire questi lavori.

- **Non modificare l'impianto e i parametri di programmazione e di regolazione della centrale di comando: la responsabilità è del vostro installatore.**

- **Il collaudo, le manutenzioni periodiche e le eventuali riparazioni devono essere documentate da chi esegue il lavoro.** I documenti devono essere conservati dal proprietario dell'impianto. Gli unici interventi che l'utilizzatore può eseguire periodicamente, sono la pulizia dei vetri delle fotocellule (utilizzare un panno morbido e leggermente umido) e la rimozione di eventuali foglie o sassi che potrebbero ostacolare l'automatismo. **Importante** – Prima di procedere, per impedire che qualcuno possa azionare inavvertitamente il cancello, sbloccare manualmente il motoriduttore (vedere rispettivo manuale istruzioni).

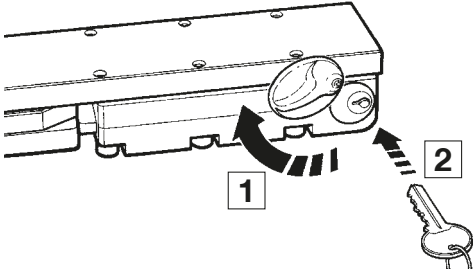
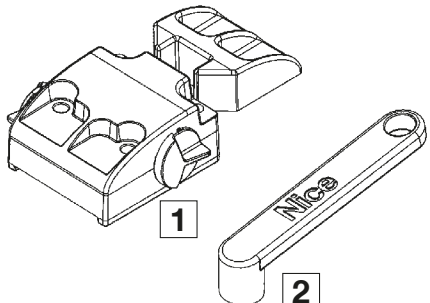

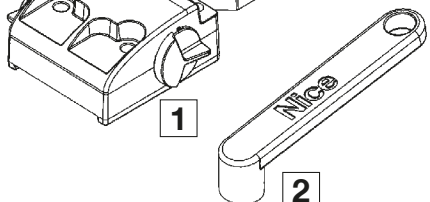
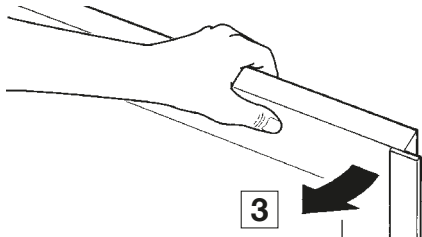
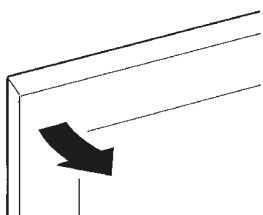
- **Smaltimento:** al termine della vita dell'automazione, assicuratevi che lo smantellamento sia eseguito da personale qualificato e che i materiali vengano riciclati o smaltiti secondo le norme valide a livello locale.

- **Rottura o assenza di alimentazione:** in attesa dell'intervento del vostro installatore o del ritorno dell'energia elettrica, se l'impianto non è dotato di batterie tampone, l'automazione può essere ugualmente utilizzata: occorre eseguire lo sblocco manuale del motoriduttore (vedere di seguito il paragrafo dedicato) e muovere l'anta del cancello manualmente come si desidera.

SBLOCCARE E BLOCCARE IL MOTORIDUTTORE MANUALMENTE

Il motoriduttore è dotato di un sistema meccanico che consente di aprire e chiudere il cancello manualmente.

Queste operazioni manuali devono essere eseguite nei casi di mancanza di corrente elettrica o di anomalie di funzionamento.

		Sblocco a CHIAVE tipo MEA2	Sblocco a leva tipo MEA3
1	Abbassare il coperchio copriserratura.		
2	Inserire la chiave e ruotarla in senso orario di 90°.		
3	Agire manualmente sull'anta. ATTENZIONE! – Per ripristinare il funzionamento automatico, ribloccare il cancello con la chiave (ruotare la chiave di 90°, in senso antiorario).		

Même si l'automatisme en votre possession satisfait le niveau de sécurité requis par les normes, cela n'exclut pas la persistance d'un "risque résiduel", c'est-à-dire la possibilité de situations de danger dues généralement à une utilisation inconsciente, voire erronée. C'est la raison pour laquelle nous désirons vous donner quelques conseils sur les comportements à adopter pour éviter tout inconvénient.

- **Avant d'utiliser pour la première fois l'automatisme**, faites-vous expliquer par l'installateur l'origine des risques résiduels et consacrez quelques minutes à la lecture du manuel d'instructions et d'avertissements pour l'utilisateur qui vous est remis par l'installateur. Conservez le manuel pour pouvoir le consulter pour n'importe quel doute futur et remettez-le à tout nouveau propriétaire de l'automatisme.

ATTENTION ! – Votre automatisme est une machine qui exécute fidèlement vos commandes ; une utilisation inconsciente et impropre peut la rendre dangereuses :

- Ne commandez pas le mouvement de l'automatisme si des personnes, animaux ou choses se trouvent dans son rayon d'action.
- Éloigner les personnes de la porte lors de son actionnement au moyen des éléments de commande.
- Durant cette opération, contrôler l'automatisme et s'assurer que les personnes restent bien à une distance de sécurité jusqu'à la fin de la manœuvre.
- Il est strictement interdit de toucher toute partie de l'automatisme pendant que le portail ou la porte est en mouvement !
- Les photocellules ne sont pas un dispositif de sécurité mais seulement un dispositif auxiliaire de sécurité. Elles sont fabriquées avec une technologie hautement fiable mais peuvent, dans des situations extrêmes, subir des dysfonctionnements ou même tomber en panne et, dans certains cas, la panne pourrait ne pas être immédiatement évidente. Pour ces raisons, pendant l'utilisation de l'automatisme, il faut faire attention aux mises en garde suivantes :
 - Le passage n'est permis que si le portail ou la porte est complètement ouverte et avec les vantaux immobiles
 - IL EST STRICTEMENT INTERDIT de passer pendant que le portail ou la porte se renferme !
 - Vérifier périodiquement le fonctionnement correct des photocellules et faire exécuter les contrôle de maintenance prévus, au moins tous les 6 mois.
- **Enfants :**
 - Le produit n'est pas destiné à être utilisé par des personnes (y compris des enfants) aux capacités physiques, sensorielles ou mentales réduites, ou manquant d'expérience ou de connaissances.
 - Les enfants ne doivent pas jouer avec l'appareil.
 - Ne pas laisser les enfants jouer avec les dispositifs de commande du produit. Conserver les émetteurs hors de la portée des enfants.
 - Le nettoyage et la maintenance qui doivent être effectués par l'utilisateur ne doivent pas être confiés à des enfants sans surveillance.
- **Anomalies :** en cas d'un comportement anormal quelconque de l'automatisation, débrancher l'alimentation électrique de l'installation et effectuer

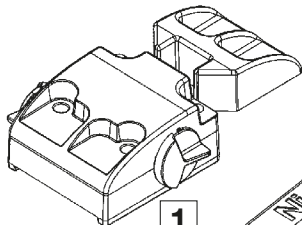

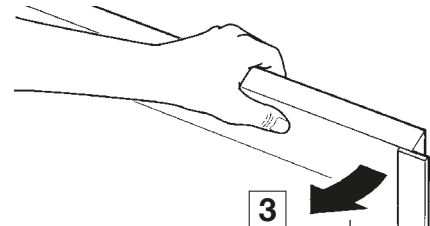
le déblocage manuel du motoréducteur (voir manuel d'instructions correspondant) pour faire fonctionner manuellement le portail. N'effectuer aucune réparation de bricolage mais demander l'intervention de votre installateur de confiance.

- **Maintenance :** une maintenance régulière (tous les 6 mois) est nécessaire afin de maintenir le niveau de sécurité constant et de garantir la durée maximale de toute l'automatisation. **Toute intervention de contrôle, maintenance ou réparation ne doit être effectuée que par du personnel qualifié.**
 - Avant toute intervention (maintenance, nettoyage), il faut toujours débrancher le produit du secteur.
 - Ne pas activer le produit lorsque des personnes effectuent des travaux sur l'automatisme ; débrancher l'alimentation électrique avant de permettre la réalisation de ces travaux.
- **Ne pas modifier l'installation et les paramètres de programmation et de réglage de la centrale de commande : la responsabilité est de votre installateur.**
- **Le test, les opérations de maintenance périodique et les réparations éventuelles doivent être documentés par celui qui effectue le travail.** Les documents doivent être conservés par le propriétaire de l'installation. Les seules interventions que l'utilisateur peut effectuer périodiquement sont le nettoyage des vitres de photocellules (utiliser un chiffon souple et légèrement humide) et l'enlèvement des feuilles et des cailloux éventuels qui pourraient gêner l'automatisme. **Important** – Avant de procéder, pour empêcher que quelqu'un puisse actionner le portail par inadvertance, débloquent manuellement le motoréducteur (voir le manuel d'instructions correspondant).
- **Élimination :** à la fin de la vie de l'automatisation, assurez-vous que l'élimination soit effectuée par du personnel qualifié et que les matériaux soient recyclés ou éliminés selon les normes valables au niveau local.
- **Rupture ou absence d'alimentation :** dans l'attente de l'intervention de votre installateur ou du retour de l'énergie électrique, si l'installation n'est pas dotée de batteries tampon, l'automatisation peut cependant être utilisée : il faut effectuer le déblocage manuel du motoréducteur (voir ci-dessous le paragraphe à ce sujet) et déplacer le vantail du portail manuellement comme souhaité.

DÉBLOQUER ET BLOQUER MANUELEMENT LE MOTORÉDUCTEUR

Le motoréducteur est doté d'un système mécanique qui permet d'ouvrir et de fermer le portail manuellement.

Ces opérations manuelles doivent être effectuées en cas de manque de courant électrique ou d'anomalies de fonctionnement.

	Débrayage à CLÉ type MEA2	Débrayage à levier type MEA3
1	Abaissier le couvercle de la serrure.	
2	Introduire la clef et la tourner de 90° dans le sens des aiguilles d'une montre.	
3	Agir manuellement sur le battant. ATTENTION ! – Pour rétablir le fonctionnement automatique, reverrouiller le portail avec la clé (tourner la clé de 90°, en sens inverse des aiguilles).	



Instrucciones y advertencias destinadas al utilizador del motorreductor

Aunque bien su automatización satisfaga el nivel de seguridad requerido por las normativas, esto no excluye la existencia de un "riesgo residual", es decir, la posibilidad de que se puedan crear situaciones de peligro causadas por un uso inconsciente o incorrecto. Por dicho motivo, a continuación le damos algunos consejos sobre cómo comportarse para evitar inconvenientes.

- **Antes de usar por primera vez la automatización**, pida a su instalador que le explique el origen de los riesgos residuales y lea este manual de **instrucciones y advertencias para el usuario** entregado por el instalador. Conserve el manual por cualquier problema que pueda surgir y recuerde entregarlo a un posible nuevo dueño de la automatización.

¡ATENCIÓN! – Su automatismo es una máquina que lleva a cabo fielmente los mandos que se le dan, por tanto, un uso inconsciente e inadecuado lo puede volver peligroso:

- No ordene el movimiento del automatismo si en su rayo de acción se encuentran personas, animales o cosas.
- Mantener a las personas alejadas al accionar el movimiento de la puerta mediante los elementos de mando.
- Durante la ejecución de una maniobra, controlar la automatización y asegurarse de que las personas se mantengan alejadas hasta que termine el movimiento.
- **¡Se prohíbe absolutamente tocar las partes del automatismo mientras la cancela o el portal están en movimiento!**
- Las fotocélulas no son un dispositivo de seguridad, sino solo un dispositivo auxiliar para la misma. Están fabricadas con tecnología de altísima fiabilidad, pero en situación extremas, podrían sufrir problemas de funcionamiento o incluso averiarse, y en algunos casos la avería podría no encontrarse al instante. Por esta razón durante el uso del automatismo es necesario prestar atención a las siguientes advertencias:
 - Se permite el tránsito solo si la cancela o portal están completamente abiertos o con las hojas detenidas
 - **¡SE PROHÍBE ABSOLUTAMENTE transitar mientras la cancela o el portón se están cerrando!**
 - Controle periódicamente el funcionamiento correcto de las fotocélulas y haga realizar los controles de mantenimiento previstos, al menos cada 6 meses.

• Niños:

- El producto no puede ser utilizado por los niños ni por personas con discapacidades físicas, sensoriales o mentales, o bien carentes de experiencia o conocimiento.
- Los niños no deben jugar con el aparato.
- No permitir que los niños jueguen con los dispositivos de mando del producto. Mantener los mandos a distancia fuera del alcance de los niños.
- La limpieza y el mantenimiento del aparato deben ser efectuados por el usuario y no por niños sin vigilancia.

- **Anomalías:** si se nota cualquier comportamiento anómalo del automatismo, quite la alimentación eléctrica de la instalación y bloquee manualmente el motorreductor (véase el respectivo manual de instrucciones), para hacer funcionar manualmente la cancela. No lleve a cabo reparaciones sin ayuda,

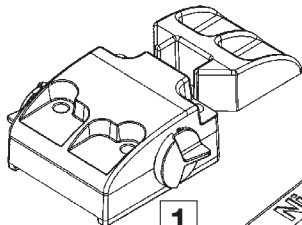
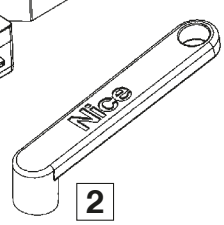
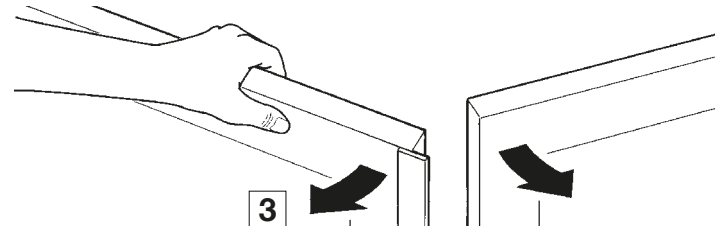
solicite la intervención de su instalador de confianza.

- **Mantenimiento:** para mantener constante el nivel de seguridad y para garantizar la máxima duración del sistema completo de automatización es necesario efectuar un mantenimiento regular (cada 6 meses). **Cualquier intervención de control, mantenimiento o reparación la debe realizar solo personal calificado.**
 - Antes de realizar cualquier operación en la instalación (limpieza, mantenimiento) hay que desconectar el aparato de la red de alimentación.
 - No poner en funcionamiento el producto cuando en sus proximidades se estén realizando tareas en la automatización; es necesario desconectar la fuente de alimentación antes de realizar estas tareas.
- **No modifique la instalación y los parámetros de programación y de regulación de la central de mando: la responsabilidad es de su instalador.**
- **La inspección y pruebas, los mantenimientos periódicos y las posibles reparaciones las debe documentar quien los realiza.** Los documentos los debe conservar el propietario de la instalación. Las únicas intervenciones que el usuario puede realizar periódicamente, son la limpieza de los cristales de las fotocélulas (utilice un paño suave y humedecido) y la eliminación de posibles hojas o piedras que podrían obstaculizar el automatismo. **Importante** – Antes de continuar, para impedir que alguien pueda accionar inesperadamente la cancela, desbloquee manualmente el motorreductor (véase respectivo manual de instrucciones).
- **Eliminación:** al final de la vida útil del automatismo, asegúrese de que la demolición la realice personal calificado y que los materiales se reciclen o eliminen según las normas válidas a nivel local.
- **Rotura o ausencia de alimentación eléctrica:** mientras se espera la intervención de su instalador o el regreso de la corriente eléctrica, si la instalación no tiene baterías tampón, el automatismo se puede utilizar igualmente: se debe desbloquear manualmente el motorreductor (véase a continuación la sección correspondiente) y mover la hoja de la cancela manualmente como se desea.

DESBLOQUEAR Y BLOQUEAR EL MOTORREDUCTOR MANUALMENTE

El motorreductor tiene un sistema mecánico que permite abrir y cerrar la cancela manualmente.

Estas operaciones manuales se deben realizar en los casos de falta de corriente eléctrica o de anomalías de funcionamiento.

	Desbloqueo con LLAVE tipo MEA2	Desbloqueo con palanca tipo MEA3
1	Baje la tapa que cubre la cerradura.	
2	Introduzca la llave y gírela 90° en el sentido horario.	
3	Mueva manualmente la hoja. ¡ATENCIÓN! – Para restablecer el funcionamiento automático, rebloquear la cancela con la llave (girar la llave 90°, en el sentido antihorario).	

Auch wenn Ihre Automatisierung den von den Vorschriften geforderten Sicherheitsniveaus entspricht, schließt dies das Vorhandensein von "Restrisiken" nicht aus, womit die Möglichkeit gemeint ist, dass gewöhnlich aufgrund eines verantwortungslosen oder falschen Gebrauchs Gefahren erzeugt werden können; wir möchten Ihnen deshalb ein paar Ratschläge geben, wie Sie sich verhalten sollten, um allen Unannehmlichkeiten aus dem Weg zu gehen.

- **Bevor Sie die Automatisierung zum ersten Mal verwenden**, lassen Sie sich von Ihrem Installateur erklären, wie Restrisiken entstehen können, und widmen Sie dem Lesen der **Anweisungen und Hinweise für den Benutzer**, die Ihnen Ihr Installateur aushändigen wird, ein paar Minuten. Bewahren Sie die Anleitung für zukünftige Zweifelsfälle auf und übergeben Sie diese ggf. einem neuen Besitzer der Automatisierung.

ACHTUNG! – Ihr Torantrieb ist eine Maschine, die getreu Ihre Befehle ausführt; durch unbewussten und unsachgemäßen Gebrauch kann sie gefährlich werden:

- **Betätigen Sie den Antrieb niemals, wenn sich im Aktionsradius Personen, Tiere oder Sachen befinden.**
- **Halten Sie alle anwesenden Personen von der Automatisierung fern, wenn diese über die Steuerelemente bewegt wird.**
- **Während der Ausführung der Bewegung die Automatisierung kontrollieren und Personen solange fernhalten, bis die Bewegung abgeschlossen ist.**
- **Während das Tor in Bewegung ist, ist das Berühren von Teilen des Torantriebs strengstens verboten!**
- **Die Photozellen sind keine Sicherheitsvorrichtung, sondern lediglich eine der Sicherheit dienende Vorrichtung. Sie sind mit höchst zuverlässiger Technik hergestellt, können aber in bestimmten Fällen könnte der Defekt nicht sofort erkennbar sein. Aus diesen Gründen sind bei der Benutzung des Torantriebs die Folgenden Hinweise zu beachten:**
 - **Das Passieren des Tors ist nur zulässig, wenn dies vollständig geöffnet ist und die Flügel still stehen**
 - **Während sich das Tor schließt, ist das Passieren STRENGSTENS VERBOTEN!**
 - **Kontrollieren Sie die Funktion der Photozellen regelmäßig und lassen Sie die vorgesehenen Wartungskontrollen mindestens alle 6 Monate durchführen.**

• **Kinder:**

- Das Produkt ist nicht dafür bestimmt, durch Personen (einschließlich Kinder) mit eingeschränkten physischen, sensorischen oder geistigen Fähigkeiten oder mangels Erfahrung und/oder mangels Wissen benutzt zu werden.
- Kinder dürfen nicht mit dem Gerät spielen.
- Erlauben Sie es Kindern nicht, mit den Steuervorrichtungen dieses Produkts zu spielen. Die Fernbedienungen von Kindern fernhalten.
- Kinder dürfen Reinigung- und Wartungsarbeiten, die dem Benutzer obliegen, nur dann ausüben, wenn sie von einer erwachsenen Person beaufsichtigt werden.

- **Störungen:** Wenn Sie ein ungewöhnliches Verhalten des Torantriebs bemerken, trennen Sie die Anlage von der Stromversorgung und führen Sie

die manuelle Entriegelung des Toröffners durch (siehe entsprechende Bedienungsanleitung), um das Tor manuell zu bedienen. Führen Sie als Autodidakt keine Reparaturen aus, sondern fordern Sie die Hilfe des Installateurs Ihres Vertrauens an.

- **Wartung:** Um das Sicherheitsniveau konstant zu halten und die maximale Lebensdauer des gesamten Torantriebs zu garantieren, muss regelmäßig eine Wartung erfolgen (alle 6 Monate). **Alle Kontroll-, Wartungs- und Reparaturarbeiten dürfen ausschließlich durch Fachpersonal durchgeführt werden.**
 - Das Produkt vor jeder Arbeit an der Anlage (Wartung, Reinigung) immer von der Stromversorgung abtrennen.
 - Betätigen Sie das Produkt nicht, wenn in der Nähe Personen an der Automatisierung arbeiten; trennen Sie die Vorrichtung vom Stromnetz, bevor solche Arbeiten ausgeführt werden.
- **Nehmen Sie keine Änderungen an der Anlage und der Programmierung und Einstellung der Steuerung vor: Hierfür ist Ihr Installateur verantwortlich.**
- **Die Prüfung, die regelmäßigen Wartungs- und eventuellen Reparaturarbeiten müssen durch den die Arbeit ausführenden dokumentiert werden.** Die Unterlagen sind vom Eigentümer der Anlage aufzubewahren. Die einzigen Arbeiten, die der Benutzer regelmäßig selbst ausführen darf, sind die Reinigung der Scheiben der Photozellen (mit einem weichen und leicht feuchten Tuch) und das Entfernen von Laub oder Steinen, die den Antrieb behindern könnten. **Wichtig** – Um zu verhindern, dass das Tor versehentlich betätigt werden kann, ist der Toröffner vor Arbeitsbeginn manuell zu entriegeln (siehe zugehörige Bedienungsanleitung).
- **Entsorgung:** Vergewissern Sie sich, dass der Torantrieb am Ende seiner Lebensdauer durch Fachpersonal demontiert und entsorgt und dass die Materialien gemäß den örtlich geltenden Bestimmungen dem Recycling bzw. der Entsorgung zugeführt werden.
- **Defekt oder Stromausfall:** Während Sie auf Ihren Installateur oder die Rückkehr der Stromversorgung warten und wenn die Anlage nicht mit Pufferbatterien ausgerüstet ist, der Antrieb trotzdem benutzt werden: Dazu ist die manuelle Entriegelung des Toröffners durchzuführen (siehe entsprechenden Abschnitt weiter unten) und der Torflügel manuell wie gewünscht zu bewegen.

MANUELLES ENT- UND VERRIEGELN DES TORÖFFNERS

Der Toröffner ist mit einem mechanischen System ausgerüstet, das ein manuelles Öffnen und Schließen des Tores erlaubt. Dieses manuelle Verfahren ist bei Ausfall der Stromversorgung und bei Funktionsstörungen anzuwenden.

		Schlüsselentriegelung des Typs MEA2	Hebelentriegelung des Typs MEA3
1	Den Schlossdeckel senken.		
2	Den Schlüssel stecken und um 90° im Uhrzeigersinn drehen.		
3	Den Torflügel von Hand betätigen. ACHTUNG! – Um den automatischen Betrieb wieder herzustellen, relock das Tor mit dem Schlüssel (drehen Sie den Schlüssel um 90°, gegen den Uhrzeigersinn).		



Instrukcje i ostrzeżenia przeznaczone dla użytkownika motoreduktora

Gdy automatyka spełnia wasze wymagania w zakresie bezpieczeństwa i zgodnie z normami prawnymi nie znaczy to, że nie istnieją inne niebezpieczeństwa. Mogą się bowiem utworzyć się sytuacje ni bezpieczne spowodowane nieodpowiedzialnym i błędnym użytkowaniem. Dlatego też chcemy przekazać wam użyteczne wskazówki w celu uniknięcia takich niekorzystnych sytuacji.

- **Przed pierwszym uruchomieniem automatyki**, należy poprosić instalatora o dokładne przedstawienie ewentualnych niebezpieczeństw. Przeczytać **instrukcję i ostrzeżenia dla instalatora**, którą wam przekazał. Należy przechowywać instrukcje w celu możliwych późniejszych konsultacji i przekazać ją ewentualnemu następnemu użytkownikowi bramy.

UWAGA! – Wasz automat jest mechanizmem, który wiernie wykonuje Wasze polecenia; bezmyślne i niewłaściwe użycie może stać się niebezpieczne:

- Nie zlecać automatowi ruchu, jeśli w promieniu jego działania znajdują się osoby, zwierzęta lub rzeczy.
- Osoby trzecie nie powinny się znajdować w pobliżu bramy podczas jej przesuwania przy użyciu elementów sterowniczych.
- Podczas wykonywania manewru, należy nadzorować automatykę i zadbać o to, aby inne osoby nie zbliżyły się do urządzenia, aż do czasu zakończenia czynności.
- Surowo zakazane jest dotykanie części automatu, podczas gdy bramka lub brama są w ruchu!
- Fotokomórki nie są urządzeniem bezpieczeństwa, lecz jedynie urządzeniem pomocniczym ze względów bezpieczeństwa. Zostały wykonane z zastosowaniem najlepszej technologii, lecz w krańcowych sytuacjach, mogą ulec nieprawidłowościom, czy nawet uszkodzić się i w niektórych przypadkach, uszkodzenie to mogłoby nie być od razu widoczne. Z tego względu, podczas używania automatu, należy zwracać uwagę na następujące ostrzeżenia:
 - Przejście/przejazd są możliwe wyłącznie, gdy bramka lub brama są całkowicie otwarte, a skrzydła nieruchome
 - SUROWO ZABRANIA SIĘ przechodzić/przejeżdżać, gdy brama lub bramka zamyka się!
 - Okresowo należy sprawdzać właściwe funkcjonowanie fotokomórek i zlecić wykonanie zaplanowanych kontroli konserwacyjnych przynajmniej co 6 miesięcy.

• Dzieci:

- Urządzenie nie jest przeznaczone do użytku przez osoby (również dzieci), których możliwości fizyczne, czuciowe lub umysłowe są ograniczone. Z urządzenia nie mogą również korzystać osoby bez doświadczenia i stosownej wiedzy.
- Nie zezwalać dzieciom na zabawę urządzeniem.
- Nie zezwalać dzieciom na zabawę urządzeniami sterującymi produktu. Przechowywać piloty w miejscu niedostępnym dla dzieci.
- Czyszczenie i konserwacja, za którą jest odpowiedzialny użytkownik, nie powinna być wykonywana przez dzieci pozbawione opieki.

- **Nieprawidłowości:** jeśli zauważy się jakiegokolwiek nieprawidłowe zachowanie automatu, należy odłączyć zasilanie elektryczne od instalacji i ręcznie odblokować siłownik (patrz odpowiednia instrukcja obsługi), aby ręcznie doprowadzić do pracy bramki. Nie wykonywać samodzielnie żadnych napraw,

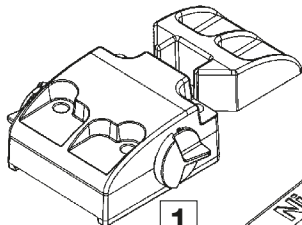
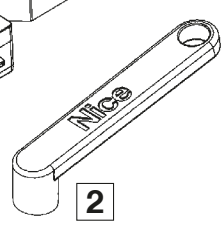
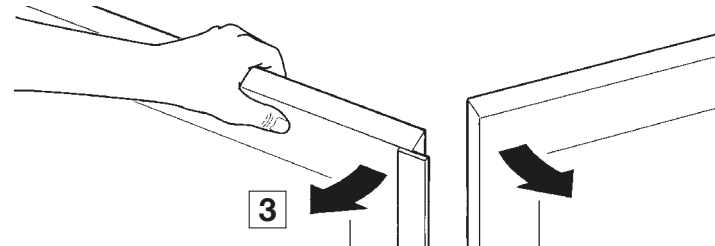
lecz zwrócić się o interwencję do Waszego zaufanego instalatora.

- **Konserwacja:** aby zachować poziom bezpieczeństwa i zagwarantować maksymalny okres funkcjonowania całego automatu, konserwację należy przeprowadzać regularnie (co 6 miesięcy). **Jakiegokolwiek interwencji dotyczącej kontroli, konserwacji czy naprawy może dokonać wyłącznie wykwalifikowany personel.**
 - Przed wykonaniem działań na instalacji (konserwacja, czyszczenie), należy zawsze odłączyć produkt od sieci zasilającej.
 - Nie sterować automatyką, jeżeli w jej pobliżu znajdują się osoby wykonujące czynności; przed wykonaniem tych czynności należy odłączyć zasilanie elektryczne.
- **Nie wprowadzać zmian do instalacji i parametrów programowania i regulacji centrali: jest to zadanie dla Waszego instalatora.**
- **Osoba przeprowadzająca test kontrolny, konserwację okresową i dokonującą ewentualnych napraw, musi to udokumentować.** Takie dokumenty musi przechowywać właściciel instalacji. Jedyne czynności, które może wykonać użytkownik od czasu do czasu, to czyszczenie szybek fotokomórek (korzystając z miękkiej, lekko wilgotnej szmatki) i usunięcie ewentualnych liści czy kamyków, mogących zablokować automat. **Ważne** – Przed kontynuacją, należy ręcznie odblokować siłownik, aby nie dopuścić, żeby ktoś nieoczekiwanie uruchomił bramkę (patrz odpowiednia instrukcja obsługi).
- **Utylizacja:** na zakończenie okresu funkcjonowania automatu, należy upewnić się, że utylizacji dokona wykwalifikowany personel, a materiały zostaną poddane recyklingowi lub utylizacji zgodnie z miejscowymi przepisami.
- **Uszkodzenie lub brak zasilania:** czekając na interwencję Waszego instalatora lub na powrót dopływu energii elektrycznej, jeśli instalacja nie jest wyposażona w baterie buforowe, z automatu można korzystać w dalszym ciągu: należy ręcznie odblokować siłownik (patrz poniżej specjalny paragraf) i ręcznie poruszyć skrzydłem bramki tak, jak się tego wymaga.

ODBLOKOWAĆ I ZABLOKOWAĆ SIŁOWNIK RĘCZNIE

Siłownik wyposażony jest w mechaniczny system, umożliwiający otwarcie i zamknięcie bramki ręcznie.

Czynności te należy wykonać ręcznie w razie przerwy w dopływie prądu elektrycznego lub nieprawidłowości.

	Odblokada na KLUCZ typu MEA2	Odblokada z dźwignią typu MEA3
1	Opuść pokrywę obejmującą zamek.	
2	Włóż klucz i przekręć o 90° w kierunku ruchu wskazówek zegara.	
3	Ręcznie otworzyć skrzydło. UWAGA! – Aby przywrócić automatyczne działanie, ponownie zablokować bramę z kluczem (przekręć klucz o 90°, w lewo).	

Ook al beantwoordt de automatisering in uw bezit aan het in normen en wetten voorgeschreven veiligheidsniveau, dit sluit niet uit dat er een "restrisco" bestaat, dat wil zeggen de mogelijkheid dat er gevaarlijke situaties kunnen ontstaan, die gewoonlijk te wijten zijn aan onverantwoordelijk of zelfs verkeerd gebruik. Hierom willen wij u enige adviezen geven hoe u met de automatisering dient om te gaan teneinde elk eventueel probleem te voorkomen.

- **Voordat u de automatisering voor de eerste maal gaat gebruiken**, is het raadzaam u door de installateur te laten uitleggen waar de restrisco's ontstaan, en enkele minuten van uw tijd te besteden aan het lezen van deze handleiding met aanwijzingen en **aanbevelingen voor de gebruiker** die de installateur u overhandigd heeft. Bewaar deze handleiding voor eventuele toekomstige twijfels en geef haar aan een eventuele nieuwe eigenaar van de automatisering.

LET OP! - Uw automatisering is een machine die uw opdrachten trouw uitvoert. Onnadenkend en oneigenlijk gebruik kunnen het automatisme gevaarlijk maken:

- Laat het automatisme geen bewegingen uitvoeren indien mensen, dieren of voorwerpen zich in diens actieradius bevinden.
- Houd personen uit de buurt van de poort wanneer deze wordt bewogen met behulp van de bedieningselementen.
- Controleer de automatisering tijdens het uitvoeren van de manoeuvre en houd personen op enige afstand tot de beweging voltooid is.
- **Het is absoluut verboden om de delen van de automatisering aan te raken terwijl het hek of de poort in beweging is!**
- **De fotocellen zijn geen veiligheidsvoorziening maar alleen een hulpvoorziening voor de veiligheid. Deze zijn geconstrueerd met een zeer betrouwbaar technologie maar kunnen in extreme situaties storingen ondergaan of zelfs kapot gaan en in zekere gevallen zou het defect niet onmiddellijk duidelijk zijn. Om deze redenen is het tijdens het gebruik van de automatisering nodig om op de volgende waarschuwingen te letten:**
 - **Doorgang is alleen toegestaan wanneer het hek of de poort volledig geopend is en de hekvleugels stilstaan**
 - **De doorgang is ABSOLUUT VERBODEN** terwijl het hek of de poort aan het sluiten is!
 - **Controleer regelmatig de correcte werking van de fotocellen en laat minstens om de 6 maanden de voorziene onderhoudscontroles uitvoeren.**

- **Kinderen:**
 - Het product is niet bestemd voor gebruik door personen (inclusief kinderen) met lichamelijke, zintuiglijke of geestelijke beperkingen of met gebrek aan ervaring of kennis.
 - Kinderen mogen niet met het apparaat spelen.
 - Laat kinderen niet met de bedieningselementen van het product spelen. Houd de afstandsbedieningen buiten het bereik van kinderen.
 - Reinigings- en onderhoudswerkzaamheden die door de gebruiker kunnen worden uitgevoerd, mogen niet worden toevertrouwd aan kinderen die niet onder toezicht staan.

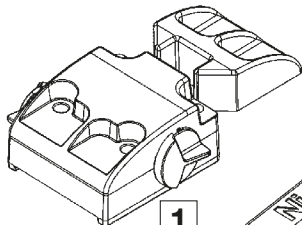
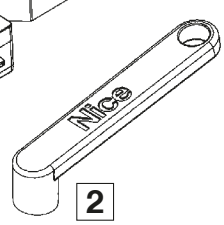
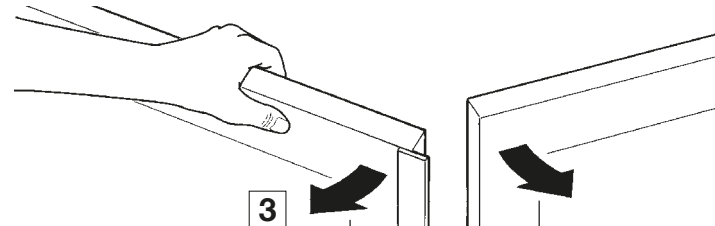
- **Afwijkingen:** indien afwijkend gedrag van het automatisme van welke aard

ook geconstateerd wordt, neem dan de elektrische voeding naar de installatie weg en verricht de manuele deblokkering van de reductiemotor (zie de respectievelijke handleiding met instructies) om het hek manueel te laten werken. Verricht zelf geen enkele reparatie maar vraag om de tussenkomst van uw vertrouwensinstallateur.

- **Onderhoud:** Om het veiligheidsniveau constant te houden en om de maximale levensduur van de volledige automatisering te garanderen, is het noodzakelijk om regelmatig onderhoud uit te voeren (om de 6 maanden). **Iedere ingreep die verband houdt met de controle, het onderhoud of de reparatie dient alleen te worden uitgevoerd door gekwalificeerd personeel.**
 - Voordat u werkzaamheden aan de installatie uitvoert (onderhoud, reiniging), moet het product altijd worden losgekoppeld van de netvoeding.
 - Bedien het product niet als er personen in de buurt zijn die werkzaamheden op de automatisering uitvoeren; koppel de elektrische voeding los alvorens deze werkzaamheden te laten uitvoeren.
- **De installatie en de parameters voor programmering en instelling van de besturingskast niet wijzigen:** dit is de verantwoording van uw installateur.
- **Het testen, het periodieke onderhoud en de eventuele reparaties moeten gedocumenteerd worden door degene die het werk uitvoert.** Deze documenten moeten bewaard worden door de eigenaar van de installatie. De enige ingrepen die de gebruiker zelf regelmatig kan uitvoeren, bestaat uit de reiniging van de ruitjes van de fotocellen (gebruik een zachte en enigszins vochtige doek) en uit de verwijdering van bladeren of stenen die de werking van het automatisme zouden kunnen belemmeren. **Belangrijk** – Alvorens te beginnen en om te voorkomen dat iemand het hek onverhoeds kan activeren, moet de reductiemotor met de hand gedeblokkeerd worden (zie de respectievelijke handleiding met instructies).
- **Vuilverwerking:** aan het einde van de levensduur van de automatisering dient u te controleren of de ontmanteling uitgevoerd wordt door gekwalificeerd personeel en of het materiaal gerecycled wordt dan wel wordt weggegooid volgens de plaatselijk geldende normen.
- **Stuk gaan of afwezigheid voeding:** in afwachting van de tussenkomst van uw installateur of van de terugkeer van de elektrische energie, en indien de installatie geen bufferbatterij heeft, kan de automatisering toch gebruikt worden: de reductiemotor moet manueel gedeblokkeerd worden (zie de volgende paragraaf die daarover gaat) en de vleugel kan naar wens met de hand bewogen worden.

MANUEEL DEBLOKKEREN EN BLOKKEREN VAN DE REDUCTIEMOTOR

De reductiemotor is uitgerust met een mechanisch systeem waarmee het hek manueel geopend en gesloten kan worden. Deze manuele handelingen moeten uitgevoerd worden wanneer de elektrische stroom ontbreekt of er storingen in de werking zijn.

	Ontgrendeling met SLEUTEL type MEA2	Ontgrendeling met hendel type MEA3
1	Draai naar beneden het afdekplaatje van het slot naar beneden zoals dat op de afbeelding te zien is.	
2	Steek de sleutel erin en draai deze met de wijzers van de klok 90° om.	
3	Beweeg de vleugel handmatig. LOT OP! - Om de automatische werking te herstellen, relock het hek met de sleutel (draai de sleutel 90°, tegen de klok).	





Nice SpA
Oderzo TV Italia
info@niceforyou.com

www.niceforyou.com