



# BULL624ESA



## COMMERCIAL USE

control unit with built-in encoder and receiver personalised release key



up to 600 kg



### CONTROL UNITS:

**BULL624ESA** — CP,B24ESA 162

**BULL624ESA.S** — CP,B24ESA 162

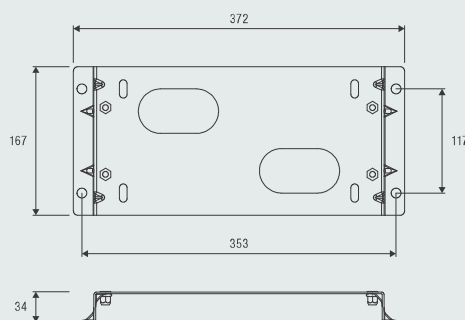
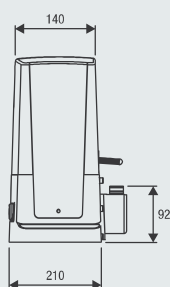
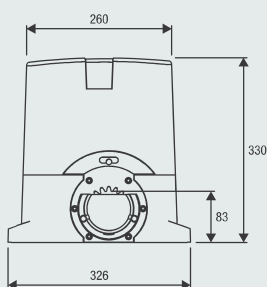


## 24 Vdc | intensive use

- 24 Vdc geared motor for intensive use, with built-in control unit, ESA SYSTEM and encoder
- The encoder device ensures maximum safety and precision in the gate moving phases
- Amperometric sensor obstacle detection system to prevent crushing
- Battery back up system ready
- Metal release lever
- Version with magnetic limit switches available (BULL624ESA.S)



Raised foundation plate included. Height 34 mm, Floor fixing distance 353x117 mm, no. 4 Ø 11 mm, motor fixing distance 300x75 mm n.4 M8.



### COMPLETE KITS



MOTOR  
1x **BULL624ESA**



PHOTOCELLS  
1x **PUPILLA.R**



FLASHING LIGHT  
1x **LAMPI24.LED**



SELECTOR  
1x **TOKEY**



TRANSMITTER  
1x **TO.GO2VA**

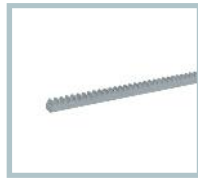
**KBULL624**



**RI.M4F**  
M4 rack, to weld or attach with screws, 30x12x1000 mm slotted and galvanised. Supplied with M6 metric screws and threaded spacers.  
**Package of 4 pcs.**



**RI.M4Z**  
M4 galvanised rack to weld 22x22x2000 mm.  
**Package of 2 pcs.**



**RI.M4ZF**  
Galvanised slotted M4 rack 22x22x2010 mm for fastening to the side with the teeth. Supplied with M6 screws.  
**Package of 1 pc.**



**RI.M4P**  
Nylon rack with steel core, to attach with screws, M4, 28x40x1000 mm. Slotted, provided with self-drilling screws.  
**Package of 10 pcs.**



**BULL.P3**  
Raised foundation plate. Height 34 mm. Floor fixing distance 260x117 mm, no. 4 Ø 11 mm, motor fixing distance 300x75 mm n.4 M8.



**SB.BULL8.F**  
Externally fitted anti-intrusion cable unlock device (L=4.5m).



**ID.TA**  
Warning board.



**IRI.TX4VA**  
4-channel transmitter with Advanced Rolling Code and Rolling Code.



**IRI.TX4AK**  
4-channel transmitter with Advanced Rolling Code and Fixed Code.



**IRI.LAMP**  
White full range flashing light, 20-255 VAC with built-in aerial.



**IRI.KPAD**  
Battery operated wireless vandal-proof digital keypad with alert buzzer and backlit buttons. Triple coding: Rolling Code, Programmable Code and Advanced Rolling Code. 254 memorisable codes.



**IRI.CELL**  
Pair of vandal-proof metal covers for PUPILLA/PUPILLA,R photocells, comprising front and rear shells with concealed screw. They can maintain perfect orientation over 180°.



**PUPILLA**  
Pair of photocells adjustable to 180°. Option to synchronise up to 4 pairs, 24 VAC/DC power supply. Easy adjustment through a LED that signals optimal alignment. Compact size: 36x110x35 mm



**BULL24.CBY**  
Accessory with CBY.24V battery charger, 1.2 Ah batteries and support bracket.



**DA.2S**  
Electronic board that allows synchronised movement of 2 automation devices (opposed sliding gates).

TECHNICAL DATA	BULL624ESA*	BULL624ESA.S*
Power supply	230 Vac (50-60Hz)	230 Vac (50-60Hz)
Motor supply	24 Vdc	24 Vdc
Max absorbed current	0,5 A	0,5 A
Power consumption in stand-by	8 mA	8 mA
Max Thrust	857 N	857 N
Opening speed	5,8÷9,75 m/min	5,8÷9,75 m/min
Duty cycle	intensive use	intensive use
Protection level	IP44	IP44
Magnetic limit switches	NO	YES
Operating temperature	-20°C /+50°C	-20°C /+50°C
Max gate weight	600 kg	600 kg
Driving gear for rack	M4 Z14	M4 Z14
Weight	11,7 kg	11,7 kg
Items no. per pallet	40	40
Kit weight	12,4 kg	---
Kits no. per pallet	40	---

\* Available in 115 VAC version