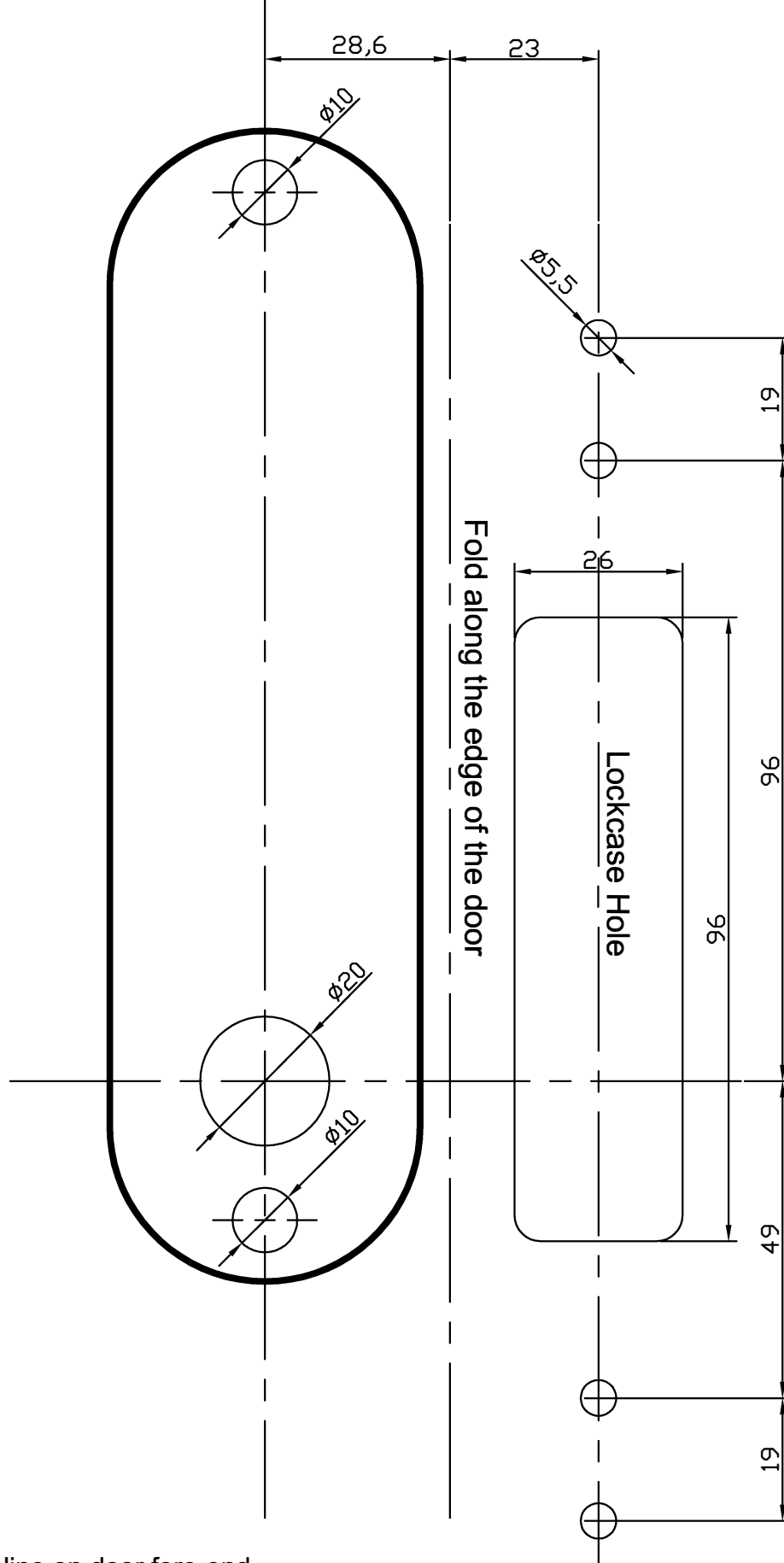


BL5402 Drilling Template



Mark centre line on door fore-end.

Tape drilling template onto fore-end aligning the door centre line with that in the template.

Drill the three holes for the keypad fixings: 2 Holes at Ø10mm, 1 Hole at Ø20mm

Drill position of fixing tab holes.

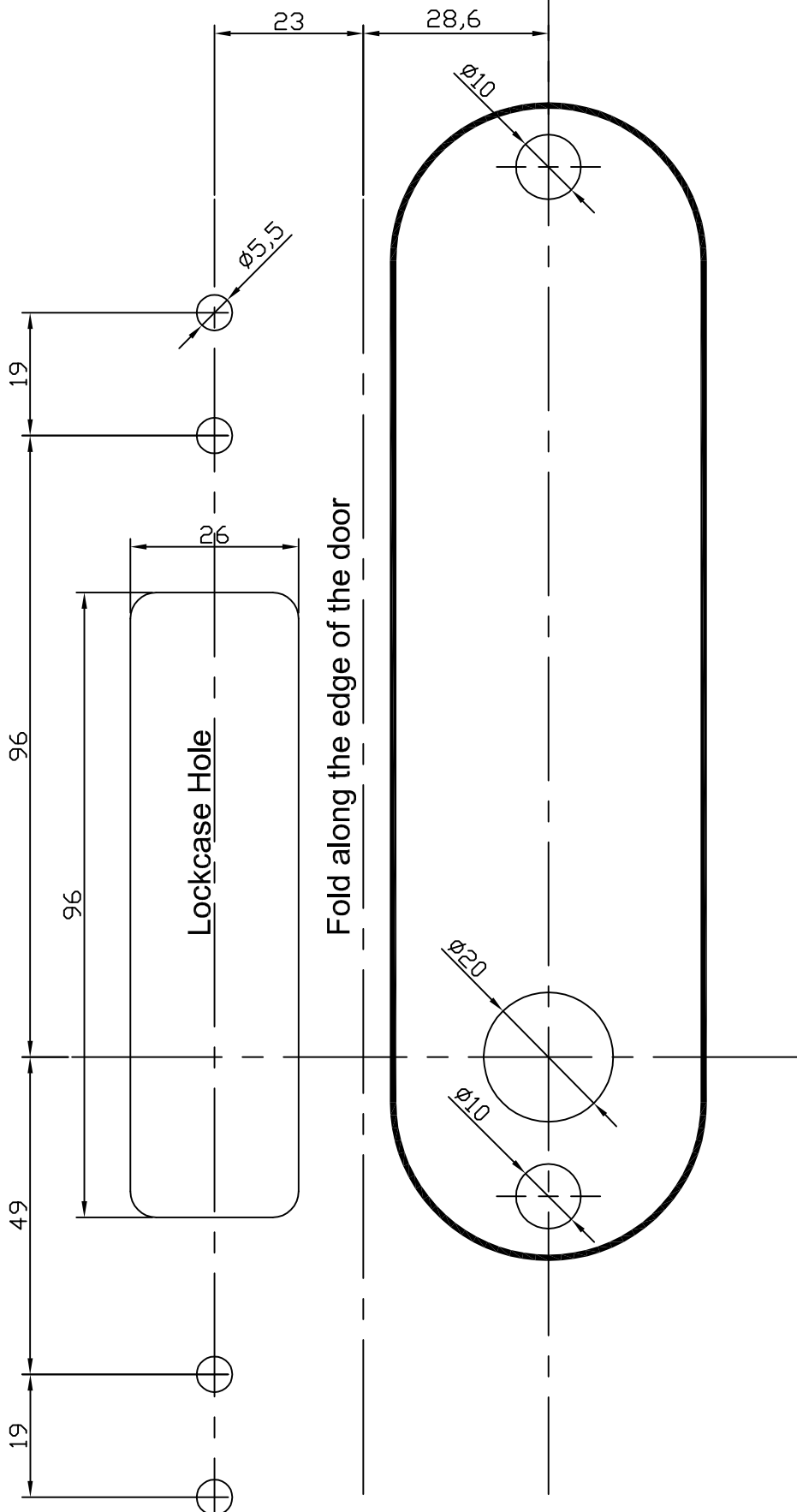
Drill out and clear section marked as Lockcase body.

Secure fixing tabs into door and install latch.

Install face plate onto latch.

N.B. Spacers are provided to allow for adjustment of latch position on door.

The optimum gap between door and frame is 4mm.



BL5402 Drilling Template

Mark centre line on door fore-end.

Tape drilling template onto fore-end aligning the door centre line with that in the template.

Drill the three holes for the keypad fixings: 2 Holes at $\text{Ø}10\text{mm}$, 1 Hole at $\text{Ø}20\text{mm}$

Drill position of fixing tab holes.

Drill out and clear section marked as Lockcase body.

Secure fixing tabs into door and install latch.

Install face plate onto latch.

N.B. Spacers are provided to allow for adjustment of latch position on door.

The optimum gap between door and frame is 4mm.