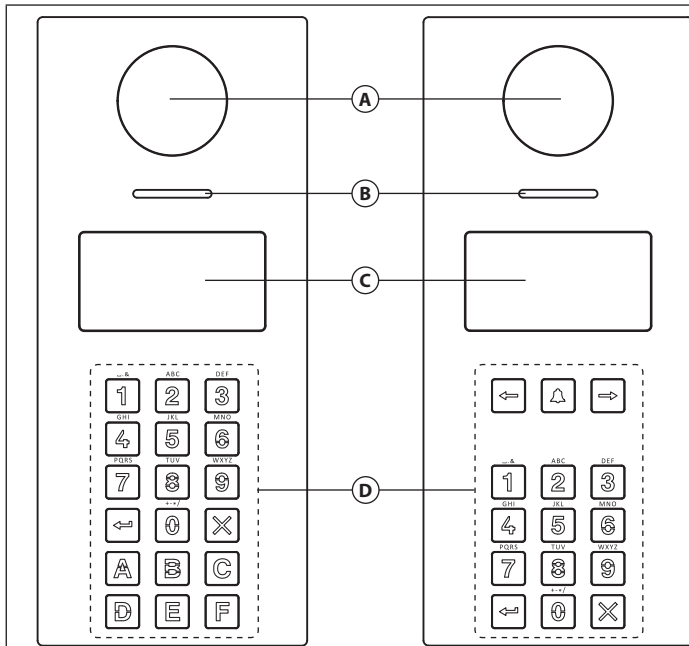


# Art. 4512 IP Audio/video digital front panel



Art. 4512V

Art. 4512RV

Fig. 1 Front

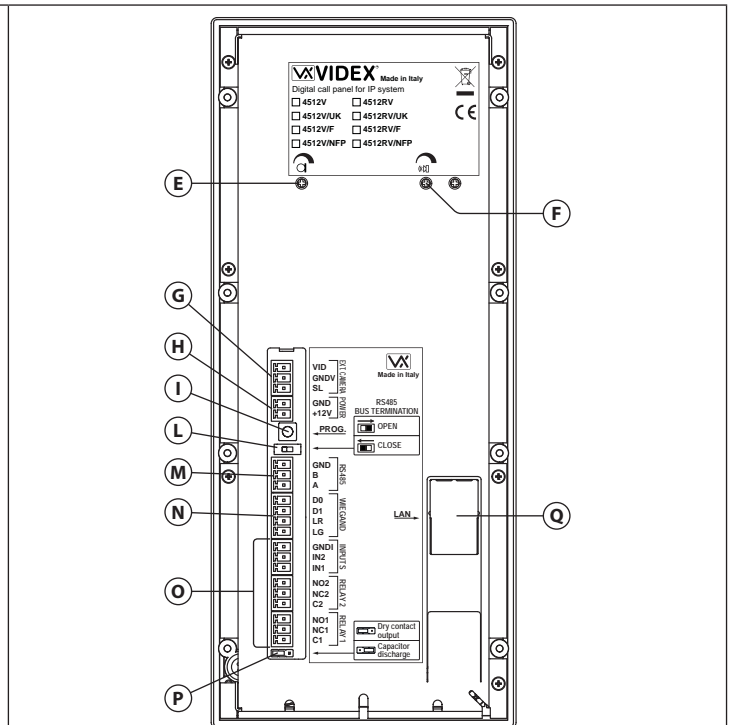


Fig. 2 Back

## DESCRIPTION

### ART. 4512V, ART. 4512V/F

4000 Series Vandal resistant (front plate in brushed stainless with 2mm thickness) digital call panel for Videx IP systems. This panel is compatible with the 4000 Series modular system and has the size of two 4000 Series modules.

Complementing all digital door panels manufactured by Videx is the ability for all users to have their own unique access code (each apartment can have more than one access code). The access code can have up to six digits and is blind to onlookers. Also, integrated into the panel is a proximity reader enabling a number of proximity fobs to be stored and used individually or in combination with the access code to enter the building. In addition to the speaker unit functions, the panel includes a 128 x 64 pixel graphical LCD display with blue back light (to provide text and graphical messages guiding a visitor through the panel operation) plus a keypad with 18 blue back lit buttons 6 of which are alpha buttons (A..F), 10 are numeric buttons (0..9) plus **ENTER** and **CLEAR** buttons. The tenants can be called by dialling the relevant apartment code.

To complement the visual messages provided from the display, the panel has the voice annunciation facility to supply audio messages concerning the system operation. The built-in camera is a colour CMOS wide angle camera with white light illumination LED's (the wide angle camera provides a viewing angle of 170 degrees). Interfaces include a Wiegand output (for systems based on this interface, not implemented yet) a RS-485 interface for future use.

The memory capacity allows to store up to 10000 users data, up to 10000 access codes, up to 10000 proximity keys. The front panel finish is brushed stainless steel while the frame finishes are the standard offered in the 4000 Series.

### ART. 4512RV, ART. 4512RV/F

As Art. 4512V but using a keypad with 15 blue back lit buttons 3 of which are navigation buttons used for the repertory name facility, 10 are numeric buttons (0..9) plus **ENTER** and **CLEAR** buttons. The tenants can be called by dialling the relevant apartment number or by searching the relevant name using the repertory name function.

## LEGEND

- (A) Camera and illumination LEDs
- (B) Loudspeaker
- (C) Display
- (D) Keypad
- (E) Microphone volume
- (F) Loudspeaker volume
- (G) External camera connection terminals
- (H) Power supply connection terminals
- (I) Boot loader push button for firmware update
- (L) RS485 bus termination switch
- (M) RS485 bus connection terminals
- (N) Wiegand connection terminals (not implemented yet)
- (O) System connection terminals
- (P) Door open relay operating mode jumper
- (Q) POE Ethernet interface

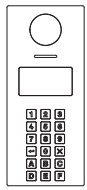
To download the programming software **VX IP Wizard** and obtain the latest firmware and manuals please visit the following website and register

<https://service.videx.it/>

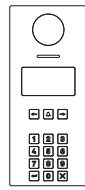


**Art. 4512** IP Audio/video digital front panel

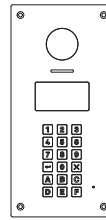
**AVAILABLE VERSIONS**



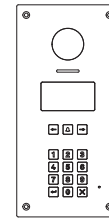
**Art. 4512V**  
For 4000 Series modular system, flush or surface mounting.



**Art. 4512RV**  
For 4000 Series modular system, flush or surface mounting, with repertory name.



**Art. 4512V/F**  
Flush version.



**Art. 4512RV/F**  
Flush version with repertory name.

**CONTROLS**

	<b>Microphone volume</b> Adjust the microphone volume. Rotate clockwise to increase or anti-clockwise to decrease
	<b>Loudspeaker volume</b> Adjust the loudspeaker volume. Rotate clockwise to decrease or anti-clockwise to increase

**RS485 BUS TERMINATION SWITCH**

	Open
	Close

**DOOR OPEN RELAY OPERATING MODE JUMPER**

	Dry contact output
	Capacitor discharge

**ENABLE BOOTLOADER MODE**

In case of firmware update failure (i.e. because of mains failure or cable disconnection during the update etc.) is no longer recognised by the Videx IP Wizard software, you can try to restore it by manually putting it into boot mode.

It is strongly recommended that this operation is carried out by a qualified engineer and in any case after a contact with Videx support.

- Disconnect the door panel from the power supply.
- Press and keep pressed the **(H)** button (**Fig. 2 on page 1**) then connect again the power supply source.
- The door panel goes into boot mode and the display shows the message "FIRMWARE UPDATE MODE" (**Fig. 3**).
- Now proceed using the utility "VidexFirmwareUpdater.exe" to upload the firmware to the device.
- If the update process terminates correctly, the device should be restored and ready to work.
- If the device still does not work, please contact the supplier to proceed according to the warranty terms.



**Fig. 3**

**OPERATION**

**STAND-BY MODE**

The display show the HOME1 page.

HOME1 (shown in **Fig. 4**) is composed by 2 lines:

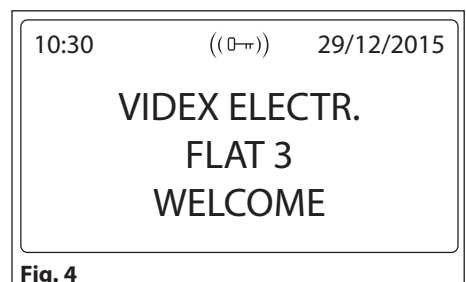
- first line contains date, time and ((0→)) symbol. Date and time have the format specified by date format and clock format;
- second line show the label "Enter Flat No";

Press the "0" button the enter the coded access mode.

Press ← or → (only for 15 button panels) to scroll through the users. (see "**Scrolling users**" on pag. 3).

Use the numeric keypad followed by enter to call an apartment .

Passing a valid and enabled card/fob in front of ((0→)) symbol will open the door.



**Fig. 4**

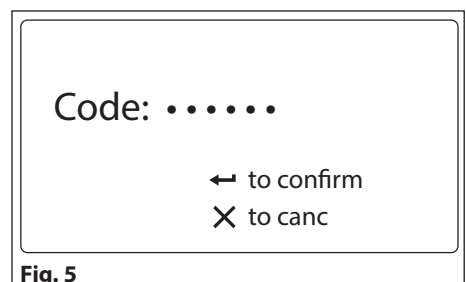
**HOW TO INSERT A CODE**

From stand-by mode, pressing "0" will enter the code mode (see **Fig. 5**).

Every inserted digit is displayed as a dot. ← will confirm the code.

The following codes can be entered:

- a valid Access code , the door will be open, or "**NOT FOUND!**" message will appear. To delete digits or exit page press X.



**Fig. 5**

**Art. 4512** IP Audio/video digital front panel

**HOW TO CALL AN APARTMENT**

From stand-by mode, enter a flat number (see **Fig. 6**).

Each digit will be displayed. Pushing ← will confirm the flat number.

If flat number is present in memory and user is enabled then a call request is made, or **"NOT FOUND!"** message will appear.

To delete digits or exit page press X.


**Fig. 6**
**SCROLLING USERS**

From stand-by mode, pressing ← or → will begin scrolling. The highlighted central line is the selected user: pressing ← or → will make a call request.

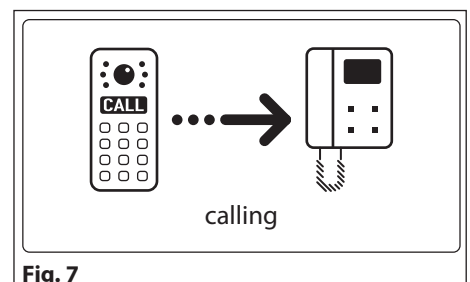
For 15 button panel version scrolling is made using ← or →.

**HOW TO MAKE A CALL**

A call request can be made by either scrolling the user name or entering the flat number. When a call is in progress the panel will show "Calling" as in **Fig. 7**.

The **"CALLING"** message alternates with flat number (if user has made a call by typing number) or name (if the scroll was used).

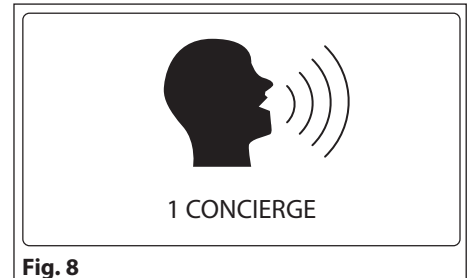
If the call is answered a conversation can begin.


**Fig. 7**

If the call is answered the display will be as per **Fig. 8**. The conversation timeout is programmable parameter speech time.

When the door is released, the animation appears on the screen.

To delete a call request or close a conversation press X. The panel will show the **"CALL END"** message.


**Fig. 8**

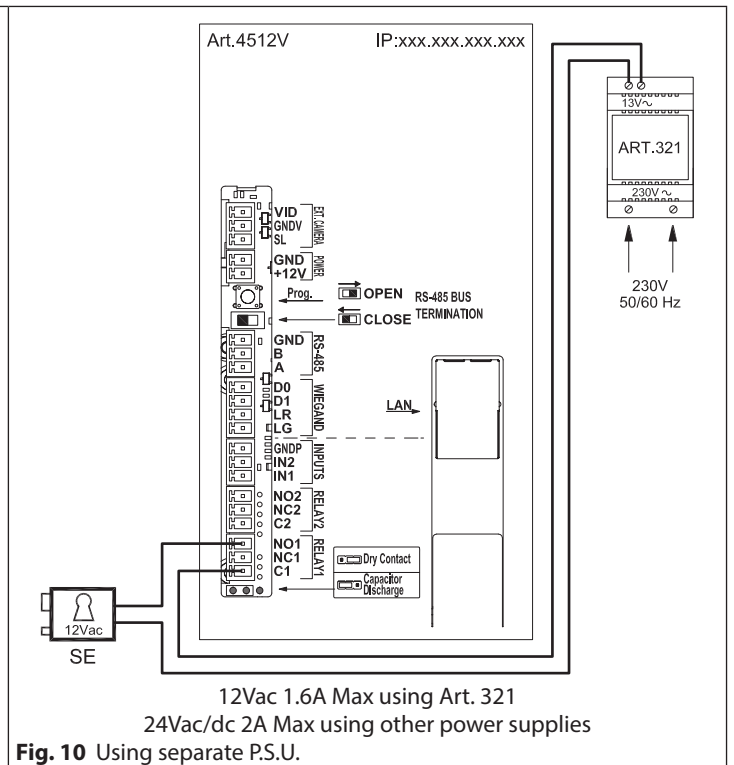
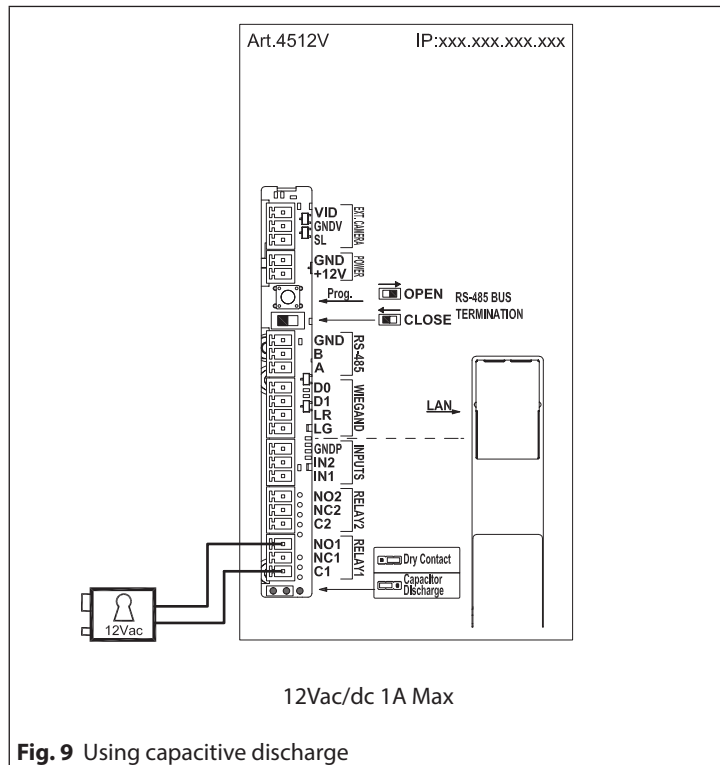
**Art. 4512** IP Audio/video digital front panel

**HOW TO CONNECT ELECTRIC LOCK**

The “door-open” relay can operate either as “dry contact” or “capacitive discharge” mode.

- In “dry contact” operation mode the relay works in a traditional way, a power supply or a power source is needed to operate the lock (12-24Vac/dc 2A max), and activation lasts according to the door opening time programmed.
- In “capacitive discharge” operation mode the relay’s contacts, when active, supply directly the lock (12Vac/dc 1A max) for a moment. You don’t need a power supply for the lock and the door opening time programmed do not affect the activation time.

A possible deterioration of the mechanical performance of the electric lock, might cause the “capacitive discharge” malfunctioning in time. In case the electric lock is used in very dusty environments or in peculiar climate conditions, we suggest to use the “open door” relay in “dry contacts” mode.



**CONNECTION TERMINAL SIGNALS**

EXT CAMERA	VID	Composite video signal input	
	GNDV	Composite video signal ground reference	
	SL	Active low output enabled when the external video input is in use	
POWER	GND	12Vdc 400mA power supply input	
	+12V		
RS485	GND	RS-485 Connection (termination adjusted through the Switch RS485 BUS termination)	
	B		
	A		
WIEGAND	D0	Data0	
	D1	Data1	
	LR	Red denied LED status output	
	LG	Green accept LED status output	
INPUTS	GNDP	Ground for IN1 and IN2 inputs	
	IN2	Active low input 2 (when enabled activate the relay 1)	
	IN1	Active low input 1 (when enabled activate the relay 1)	
RELAY 2	NO2	Relay 2 normally open contact	Max 12-24 Vac/dc 0.4A
	NC2	Relay 2 normally closed contact	
	C2	Relay 2 common contact	
RELAY 1	NO1	Relay 1 normally open contact	
	NC1	Relay 1 normally closed contact	
	C1	Relay 1 common contact	

**TECHNICAL SPECIFICATION**

**Video codec:** H.263  
H.263+

**Supported resolutions:** 352x288 (CIF) used in SIP standard mode  
320x240 used between Videx devices and app  
176x144 (QCIF) used in SIP standard mode

**Audio codec:** G.711  $\mu$ -law, A-law

**Sampling frequency:** 8 khz

**SIP compatibility:** SIP 2.0

**Memory capacity:** 10000 users - 10000 keys - 10000 codes

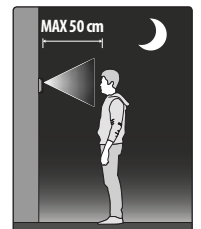
**Working voltage:** 12 Vdc +/- 10%

**Max absorb:** about 400mA

**Working Temperature:** -10 +50 °C

**MAXIMUM ILLUMINATION DISTANCE FROM CAMERA AT NIGHT**

The illumination LED's within the camera will illuminate the visitor when they are within 50 cm of the camera.



**CLEANING OF THE PLATE**

Use a clean and soft cloth. Use moderate warm water or non-aggressive cleansers.

**Do not use:**

- abrasive liquids;
- chlorine-based liquids;
- metal cleaning products.

**Mounting with 4000 Series front support or surface unit**

**MANUAL REFERENCE**

To install the panel with a 4000 Series front support Art. 4852 or surface unit Art. 4882 and their specific rainshields, please refer to the 4000 Series Mounting instructions provided with the front support or the surface unit.

**ADHESIVE GASKET PLACEMENT**

Apply the (Y) seal as shown in Fig. 11.

**ANTI-TAMPERING LOCKS FIXING**

Fit the anti-tampering locks (W) as shown in Fig. 12.

**PANEL COMPATIBILITY**

This kind of installation is only available for these versions of the panel:

- Art. 4512V
- Art. 4512RV

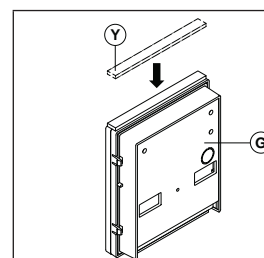


Fig. 11

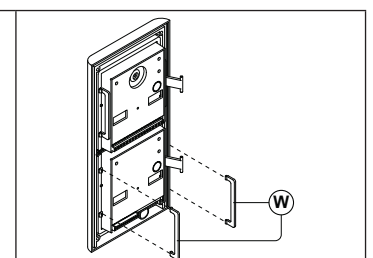


Fig. 12

# Flush mounting door station installation

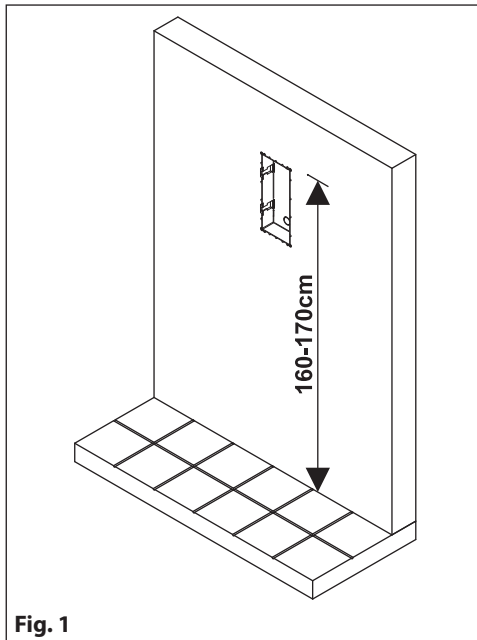


Fig. 1

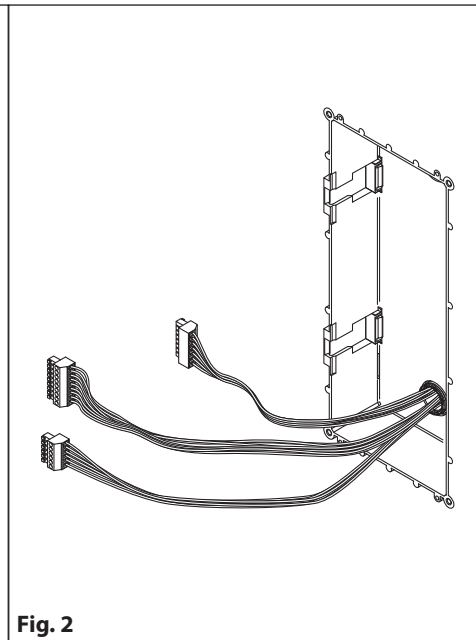


Fig. 2

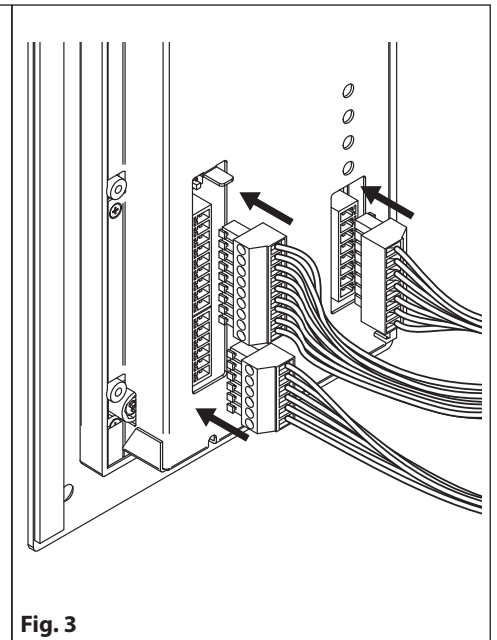


Fig. 3

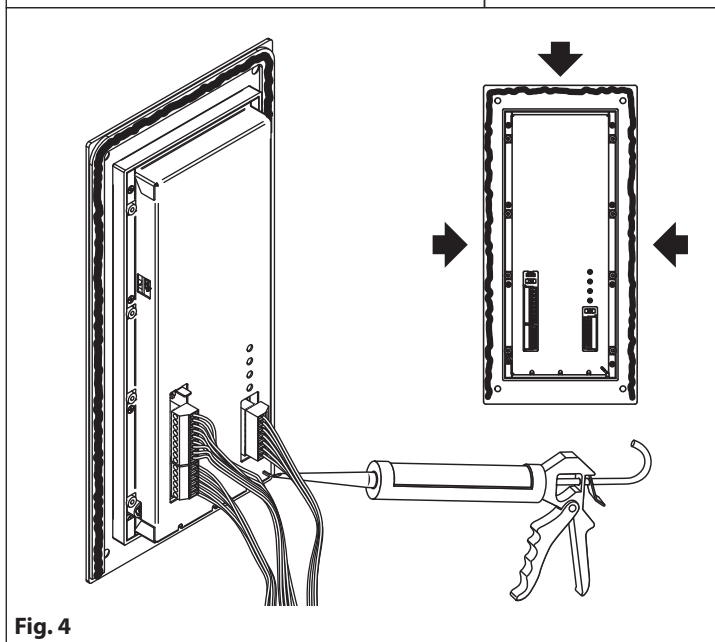


Fig. 4

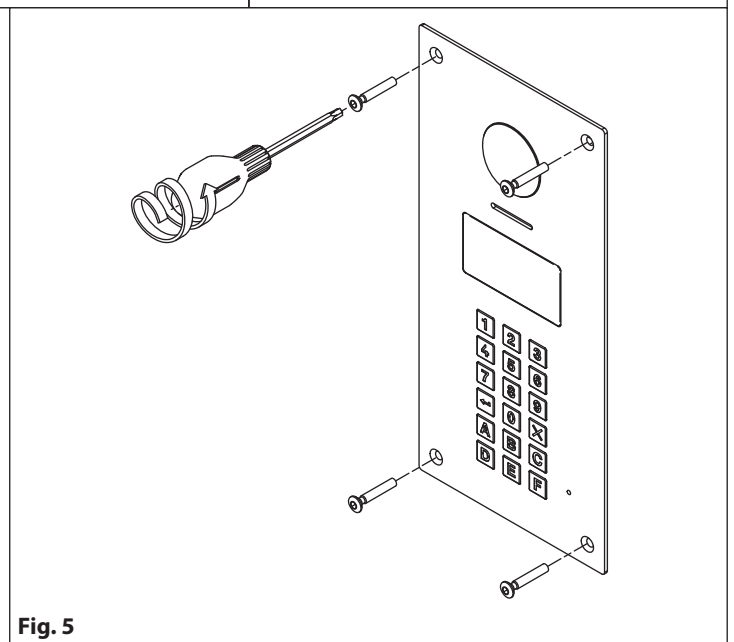


Fig. 5

1. Embed the flush mounting box into the wall (160-170 cm between the top of the box and the floor level as shown in **Fig. 1**) passing the cables (**Fig. 2**) through a cable knockout hole in the box;
2. Make all the connections on the removable terminal blocks (**Fig. 2**), then plug back into the panel (**Fig. 3**), setup the dip-switches as per provided connection diagram or instruction sheet, then power up the system and check that it works correctly;

**⚠ In order to prevent water ingress we highly recommend using a silicon sealant between the plate and the wall ON THE LEFT, TOP AND RIGHT SIDES ONLY. DON'T USE SILICON SEALANT ON THE BOTTOM SIDE OF THE PLATE (Fig. 4);**

3. Fix the plate to the flush mounting box using the screwdriver provided (torx end) and the pin machine torx screws (**Fig. 5**).

**⚠ Do not over tighten the screws more than necessary.**

**ENG DISPOSAL**

In accordance with the Legislative Decree no. 49 of 14 March 2014 "Implementation of the Directive 2012/19/EU on waste electrical and electronic equipment (WEEE)".

The crossed-out bin symbol on the equipment or on the packaging indicates that when the product reaches the end of its lifetime, it must be collected separately from mixed municipal waste. The user must, therefore, dispose of the equipment at the end of its lifetime in the suitable waste collection centres or bring it to the retailer during the purchase of a new equipment of equivalent type at the ratio of one-to-one. Furthermore, the user is allowed to dispose of the WEEEs of very small size (domestic appliances without any external dimension exceeding 25 cm (9.84 inches) for free to the retailers, without any purchase obligation. The correct waste disposal of the WEEEs contributes to their reuse, recycling and recovery and avoids potential negative effects on the environment and human health due to the possible presence of dangerous substances within them.


**ITA SMALTIMENTO**

Ai sensi del Decreto Legislativo 14 marzo 2014, n° 49 "Attuazione della direttiva 2012/19/UE sui rifiuti di apparecchiature elettriche ed elettroniche (RAEE)".

Il simbolo del cassonetto barrato riportato sull'apparecchiatura o sulla sua confezione indica che il prodotto alla fine della propria vita utile deve essere raccolto separatamente dagli altri rifiuti urbani misti. L'utente dovrà, pertanto, conferire l'apparecchiatura giunta a fine vita presso gli idonei centri di raccolta differenziata oppure riconsegnarla al rivenditore al momento dell'acquisto di una nuova apparecchiatura di tipo equivalente, in ragione di uno a uno. L'utente ha, inoltre, la possibilità di conferire gratuitamente presso i distributori, senza alcun obbligo di acquisto, per i RAEE di piccolissime dimensioni (per le apparecchiature di tipo domestico con nessuna dimensione esterna superiore a 25 cm). L'adeguata raccolta differenziata dei RAEE contribuisce al loro riutilizzo, riciclaggio e recupero ed evita potenziali effetti negativi sull'ambiente e sulla salute umana dovuti alla eventuale presenza di sostanze pericolose al loro interno.

**FRA ÉLIMINATION**

Conformément au décret législatif n° 49 du 14 mars 2014 relatif à l'« Application de la directive 2012/19 / UE relative aux déchets d'équipements électriques et électroniques (DEEE) ».

Le symbole de la poubelle barrée sur l'équipement ou sur son emballage indique que le produit en fin de vie utile doit être collecté séparément des autres déchets municipaux en mélange. L'utilisateur doit donc remettre l'équipement en fin de vie aux centres de collecte appropriés ou le restituer au revendeur lors de l'achat d'un nouveau type d'équipement équivalent, dans le rapport de un à un. De plus, l'utilisateur a la possibilité de conférer gratuitement aux distributeurs, sans aucune obligation d'achat, de très petits DEEE (pour les appareils ménagers sans dimensions extérieures supérieures à 25 cm). La collecte séparée adéquate des DEEE contribue à leur réutilisation, leur recyclage et leur valorisation et évite les éventuels effets négatifs sur l'environnement et la santé humaine en raison de la présence possible de substances dangereuses dans ceux-ci.

**SPA ELIMINACIÓN**

De conformidad con el Decreto legislativo n. 49 de 14 de marzo 2014 "Aplicación de la Directiva 2012/19/UE relativa a residuos de aparatos eléctricos y electrónicos (RAEE)".

El símbolo del contenedor tachado indicado sobre los aparatos o sobre los embalajes señala que el producto al final de su vida útil debe ser recogido separadamente de otros residuos municipales mezclados. Por tanto, el usuario deberá conferir los aparatos al final de su vida útil en los apropiados centros de recogida selectiva o devolverlos al revendedor al momento de la compra de nuevos aparatos equivalentes, en una relación de uno a uno. Además, el usuario tiene la posibilidad de entregar sin cargo a los distribuidores, sin ninguna obligación de compra, los RAEEs muy pequeños (para electrodomésticos sin dimensiones externas superiores a 25 cm).

La recogida selectiva apropiada de los RAEEs contribuye a su reutilización, reciclaje y valorización y evita potenciales impactos negativos sobre el medio ambiente y la salud humana debidos a la posible presencia de sustancias peligrosas dentro de ellos.

**NLD VERWIJDERING**

In overeenstemming met het Wetsbesluit nr. 49 van 14 maart 2015 "Implementatie van de Richtlijn 2012/19/EU inzake afgedankte elektrische en elektronische apparaten (AEEA)".

Het doorgekruiste vuilnisbaksymbool op het apparaat of de verpakking geeft aan dat het product aan het einde van zijn levensduur niet samen met het gewone huisvuil weggegooid mag worden. De gebruiker moet het apparaat aan het einde van zijn levensduur inleveren bij een gepast inzamelpunt of de winkel waar hij een nieuw apparaat van een gelijksoortig type zal kopen. De gebruiker kan tevens AEEA's van een zeer klein formaat (huishoudapparaten met een buitenafmeting kleiner dan 25 cm (9,84 inch)) gratis en zonder enige aankoopverplichting bij handelaars inleveren. Een juiste verwijdering van AEEA's draagt bij tot hergebruik, recycling en terugwinning, en voorkomt potentiële negatieve effecten op het milieu en de menselijke gezondheid door de mogelijke aanwezigheid van gevaarlijke stoffen.

<b>MANUFACTURER</b> <b>FABBRICANTE</b> <b>FABRICANT</b> <b>FABRICANTE</b> <b>FABRIKANT</b> الشركة المصنعة	<b>VIDEX ELECTRONICS S.P.A.</b> Via del Lavoro, 1 63846 Monte Giberto (FM) Italy Tel (+39) 0734 631669 Fax (+39) 0734 632475 www.videx.it - info@videx.it	
<b>CUSTOMER SUPPORT</b> <b>SUPPORTO CLIENTI</b> <b>SUPPORTS CLIENTS</b> <b>ATENCIÓN AL CLIENTE</b> <b>KLANTENDIENST</b> خدمة العملاء	<b>VIDEX ELECTRONICS S.P.A.</b> www.videx.it - technical@videx.it Tel: +39 0734-631669 Fax: +39 0734-632475	UK Customers only: <b>VIDEX SECURITY LTD</b> www.videxuk.com Tech Line: 0191 224 3174 Fax: 0191 224 1559

*Main UK office:***VIDEX SECURITY LTD**

1 Osprey Trinity Park  
Trinity Way  
LONDON E4 8TD  
Phone: (+44) 0870 300 1240  
Fax: (+44) 020 8523 5825  
www.videxuk.com  
marketing@videxuk.com

*Northern UK office:***VIDEX SECURITY LTD**

Unit 4-7  
Chillingham Industrial Estate  
Chapman Street  
NEWCASTLE UPON TYNE - NE6 2XX  
Tech Line: (+44) 0191 224 3174  
Phone: (+44) 0870 300 1240  
Fax: (+44) 0191 224 1559

*Greece office:***VIDEX HELLAS Electronics**

48 Filolaou Str.  
11633 ATHENS  
Phone: (+30) 210 7521028  
(+30) 210 7521998  
Fax: (+30) 210 7560712  
www.videx.gr  
videx@videx.gr

*Danish office:***VIDEX DANMARK**

Hammershusgade 15  
DK-2100 COPENHAGEN  
Phone: (+45) 39 29 80 00  
Fax: (+45) 39 27 77 75  
www.videx.dk  
videx@videx.dk

*Benelux office:***NESTOR COMPANY NV**

E3 laan, 93  
B-9800 Deinze  
Phone: (+32) 9 380 40 20  
Fax: (+32) 9 380 40 25  
www.videx.be  
info@videx.be

*Dutch office:***NESTOR COMPANY BV**

Business Center Twente (BCT)  
Grotestraat, 64  
NL-7622 GM Borne  
www.videxintercom.nl  
info@videxintercom.nl



The product is CE marked demonstrating its conformity and is for distribution within all member states of the EU with no restrictions. This product follows the provisions of the European Directives 2014/30/EU (EMC); 2014/35/EU (LVD); 2011/65/EU (RoHS); CE marking 93/68/EEC.

Il prodotto è marchiato CE a dimostrazione della sua conformità e può essere distribuito liberamente all'interno dei paesi membri dell'Unione Europea UE. Questo prodotto è conforme alle direttive Europee: 2014/30/UE (EMC); 2014/35/UE (LVD); 2011/65/UE (RoHS); marcatura CE 93/68/EEC.

Le produit est marqué CE à preuve de sa conformité et peut être distribué librement à l'intérieur des pays membres de l'union européenne EU. Ce produit est conforme aux directives européennes 2014/30/EU (EMC); 2014/35/EU (LVD); 2011/65/EU (RoHS); marquage CE 93/68/EEC.

El producto lleva la marca CE que demuestra su conformidad y puede ser distribuido en todos los estados miembros de la unión europea UE. Este producto cumple con las Directivas Europeas 2014/30/EU (EMC); 2014/35/EU (LVD); 2011/65/EU (RoHS); marca CE 93/68/EEC.

Het product heeft de CE-markering om de conformiteit ervan aan te tonen en is bestemd voor distributie binnen de lidstaten van de EU zonder beperkingen. Dit product volgt de bepalingen van de Europese Richtlijnen 2014/30/EU (EMC); 2014/35/EU (LVD); 2011/65/EU (RoHS); CE-markering 93/68/EEC.

يحمل المنتج علامة التوافق الأوروبي CE لإظهار توافقه مع المواصفات ذات الصلة وإمكانية توزيعه في كافة دول الاتحاد الأوروبي بدون أية قيود. يلبي هذا المنتج جميع متطلبات التوجيهات الأوروبية 2014/30/UE (EMC); 2014/35/UE (LVD); 2011/65/UE (RoHS) - علامة المطابقة للمواصفات الأوروبية 93/68/EEC.

