



PRODUCT CATALOGUE

► Discover our innovations on page 6 - 7



Gate Closers



Access Control



Gate Hardware

Dear customer

First of all, thank you for your business. We look back on a remarkable year: we launched several innovations, had our first RoadShow Van tour, came close to a 100% delivery reliability and received two prestigious awards. On top of all that, we laid the first brick of our brand new Smart Factory of the Future, "Locinox 4.0".

All these milestones are fuel for motivation to continue striving for better. Innovation is in our DNA and once again our R&D team developed many new products. Durable, reliable, smart and user friendly solutions contributing to a safer society.

These new products - easier to install and with even more options for access control - will open your gates to new business. We will continue to innovate in 2022 and beyond, and have many more surprises on the way.

We don't want you to miss out on our newest concepts and solutions. This catalogue is an updated guideline to our products and we would like to remind you that our team is there for you every step of the way.

With the utmost respect to your health and safety, we offer several other ways for you to engage with your account manager and discover our innovations. Whether it's a meet at headquarters – ours or yours, take your pick – or a visit from our RoadShow Van, we're eager to inform you about our recent developments.

On behalf of our entire team, we thank you for your continued support and look forward to more business.

Wishing you good health, and let's make it better together.

The Locinox Team



LOCINOX 4.0



Index

Our concepts	4
Our latest innovations	6
Gate closers	9
• Serval	13
• Tiger	15
• Mammoth	16
• Mammoth-HD	17
• Interio	19
• Samson-2	20
• Panther	21
• Lion	22
• Rhino	23
• Verticlose-2	24
• Verticlose-2 Wall	25
Automation & Electronics	27
• Keypads	28
• Electromagnetic locks	30
• Electrical accessories	42
• Power supplies	45
Turnstiles	49
Locks	55
Keeps	93
Hinges	111
Drop bolts & Ground catchers	143
Gate catchers	153
Tools	157
Accessories	165
Marketing tools	195



Gate Closers



Access Control



Gate Hardware

Our products

INNOVATION

A motivated team of engineers and prototypers work hard on a daily basis to further expand the Locinox range with new products.



You can find many, pioneering innovations in this catalogue.

WEATHERPROOF

High quality materials and surface treatments ready for years of outdoor use are a basic requirement. This is why Locinox only uses stainless steel and non-ferro metals as raw materials for its products.



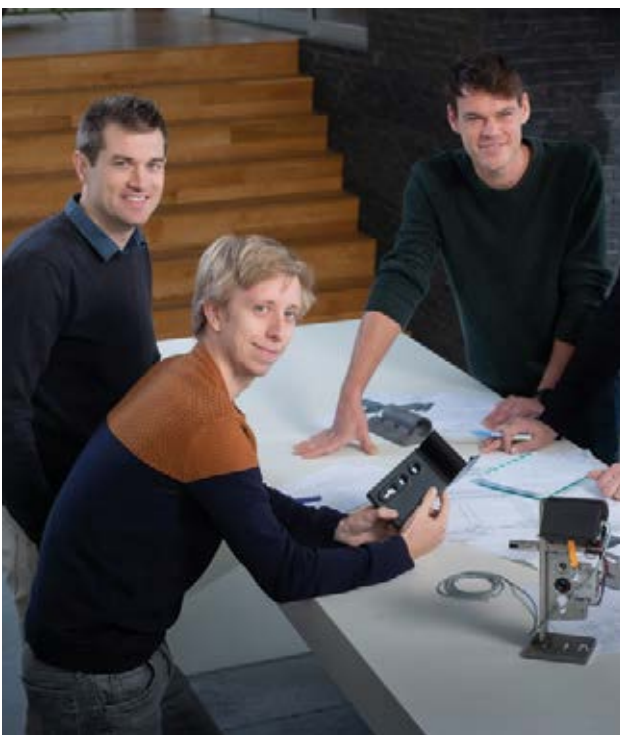
We choose chrome plating and, whenever possible, hot-dip galvanization as surface treatment to maintain high standards. This way, our products have a longer life cycle than cheaper alternatives.

INDUSTRIAL QUALITY

Locinox products are of industrial quality. They are tested extensively by our R&D Department in the most extreme circumstances.



We test every product a minimum of 500,000 movements before bringing it to the market. Locinox products extend the life of your gates and fences!



ROADSHOW VAN

Step into our ROADSHOW VAN and experience our complete range of outdoor access control solutions first-hand. Heavily relying on innovation, quality, durability and ease-of-installation, we are convinced our ROADSHOW VAN is a great opportunity to discover what Locinox is all about. For both professionals and end users.

The state-of-the-art mobile showroom will definitely impress at first sight, featuring a delicious blend of our latest innovations and classics. It will be on the road continuously. Make sure to take a look at the tour dates on our website - we are definitely coming your way soon.



EASE OF INSTALLATION

"Time is money", you will most probably agree. This is why our products guarantee a lightning fast installation and very solid fixation



Thanks to the special tools, the patented Quick-Fix and the Plug & Play design - installation happens in a blink of an eye.

The pre-fitted Quick-Fix solution guarantees a lightning fast installation. This way, the products are mounted very firmly.



5 YEARS OF PREMIUM WARRANTY

Enjoy 5 years of worry-free use on all our mechanical products.

Go to locinox.com/warranty and activate your additional 2 years warranty to enjoy 5 years of peace of mind.

Because we care.

Our promises



MODULARITY

The products in our range are designed for maximum interchangeability. A multitude of combinations is possible to assure maximum flexibility according to your clients' needs.

Even after installation, our products can be easily adjusted and/or replaced.

CUSTOM ASSEMBLY & PACKAGING

The modularity of our products allows you to choose from many different configurations. Locinox will assemble every possible configuration upon request.



Moreover, our well-organized logistics guarantee a shipment of our catalogue products within **24h after your order**. This will allow you to react quickly to your clients' needs!



AT YOUR SERVICE!

Our sales team is easy to reach and will give you a prompt reply by phone or e-mail in no less than 7 supported languages.

They will supply you the correct product information and are happy to help you in choosing the right solution for the given situation.

Your orders are confirmed the same day!

STOCK IS KING

We're proud of our 97% delivery reliability, which is worth testing! We have the stock to prove it.

Challenge us and order now.



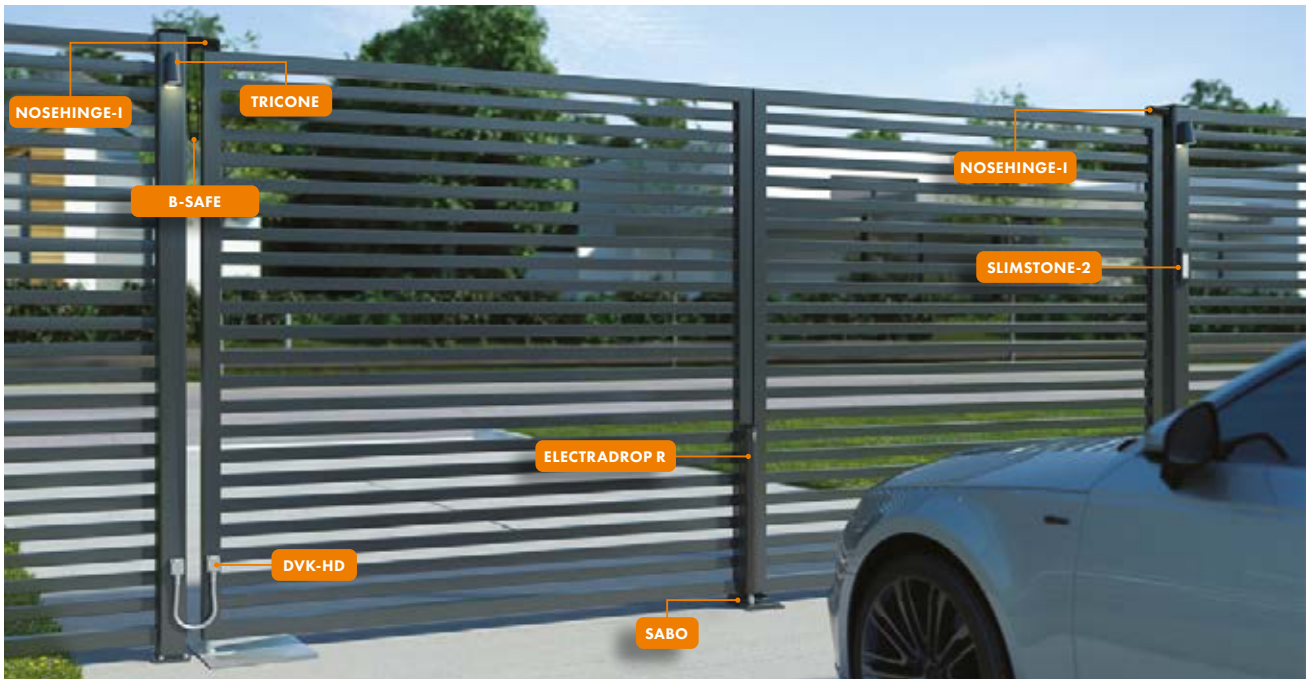
LOCESHOP

order when it suits you

In a world where business never stops and where providing a fast service is crucial, Locinox is determined to stay ahead.

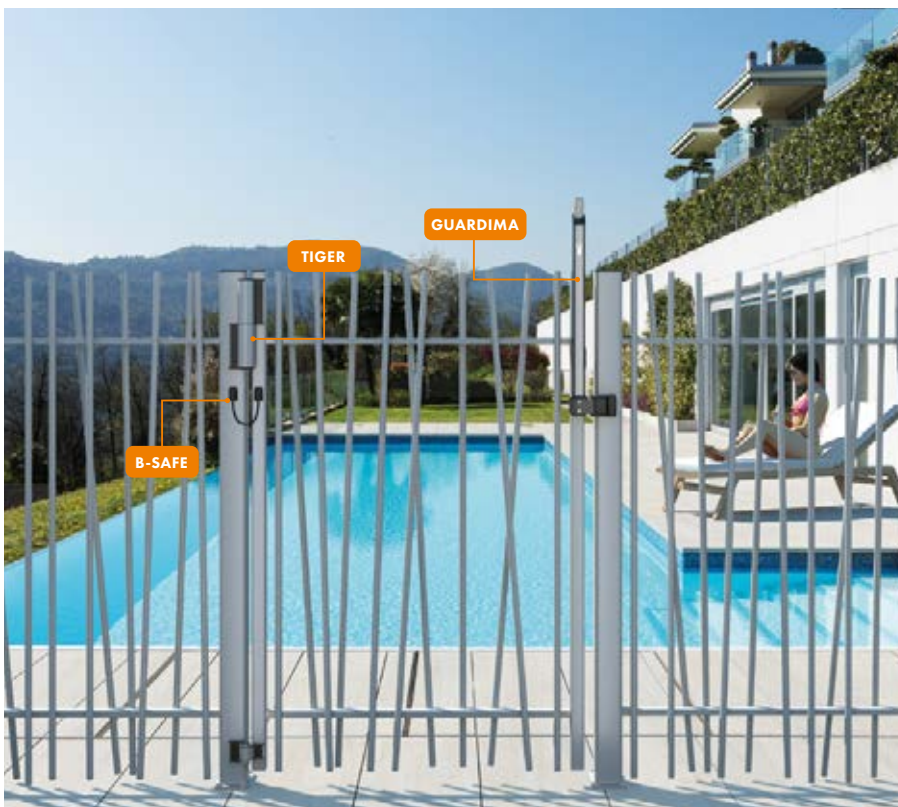
Order any of our products 24/7 thanks to the Loc-eshop.

Our concepts



RESIDENTIAL

ELECTRADROP R Motorized electrical drop bolt with anti-panic battery (p.145) | **TRICONE** Design led lighting for gates (IP54) (p.43)
SLIMSTONE-2 Sturdy, weather resistant keypad (IP68) (p.29) | **B-SAFE** Stainless steel safety cable for gates up to 500kg (p.190)
NOSEHINGE-I Compact, 2-way 90° hinge interchangeable with Interio gate closer (p.133) | **SABO** Bolt-on off-centered ground stop (p.150)
DVK-HD Guiding cable (p.45)

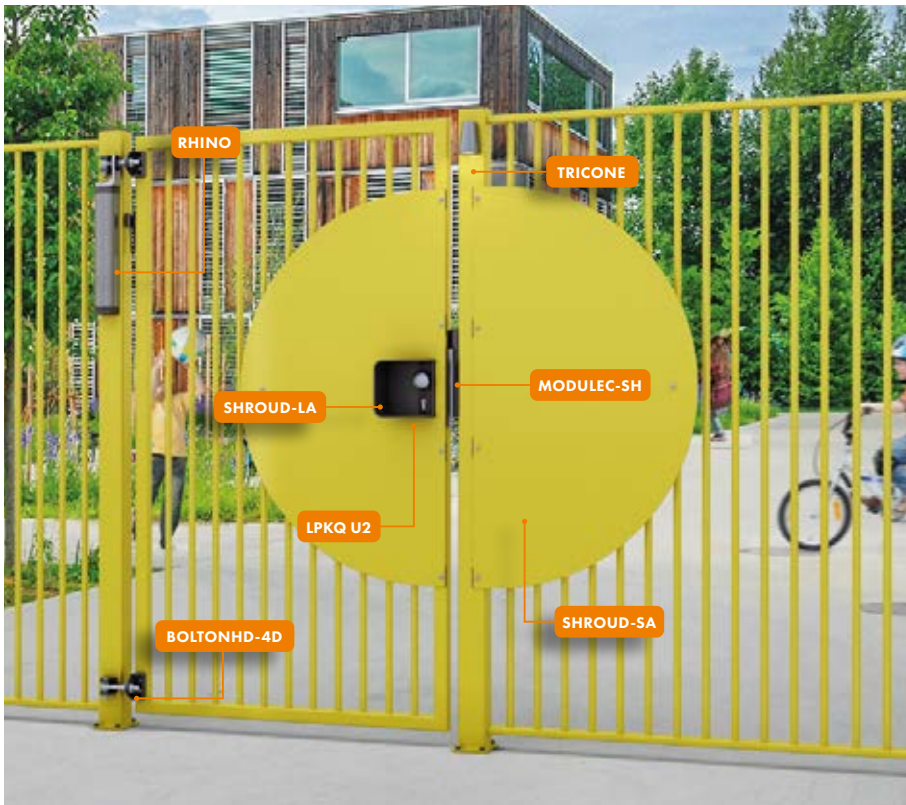


POOLS

GUARDIMA (p.75)
 Sleek and sturdy child safe magnetic latch for pools and parks

TIGER (p.15)
 Compact hinge and gate closer in one

B-SAFE (p.190)
 Stainless steel safety cable for gates up to 500kg



SCHOOL

RHINO (p.23)

Aesthetical 180° gate closer with direct connection to the hinge

BOLTONHD-4D (p.115)

180° bolt-on 4d adjustable hinge

SHROUD-LA (p.177)

Security shroud for surface mounted locks with free exit configuration

SHROUD-SA (p.177)

Protection plate to avoid access to the handle from the outside

MODULEC-SH (p.95)

Surface mounted electric security keep

TRICONE (p.43)

Design led lighting for gates (IP54)

LPKQ U2 (p.61)

Surface mounted anti-panic gate lock



GARDEN

VALENTINO (p.63)

Surface mounted battery powered code lock

SAKL (p.97)

Adjustable keep out of stainless steel

EXCENTRO (p.113)

180° hinge set for ascending slopes

RHINO (p.23)

Aesthetical 180° gate closer with direct connection to the hinge

B-SAFE (p.190)

Stainless steel safety cable for gates up to 500kg

Our latest innovations



GUARDIMA

The GUARDIMA is a strong child-safe magnetic lock ensuring safety, security and ease of entrance. If the gate wing is not completely closed already, a powerful magnet ensures a tight closing of the gate. The magnet only unlocks by pulling the knob up, while a unique patented internal leverage system guarantees a smooth opening.

The magnetic lock can be installed on gates that are not perfectly aligned or where the gate wing has started to sag over time. GUARDIMA can be used on wooden and metal gates.

Mechanically tested 2 million times for opening and closing, the GUARDIMA is a guaranteed strong and secure option to keep children inside kindergartens, parks or playgrounds or out of unsupervised swimming pool areas.

[Discover more on p. 75](#)



ELECTRADROP R

Motorized electrical drop bolt with Fail Open functionality.

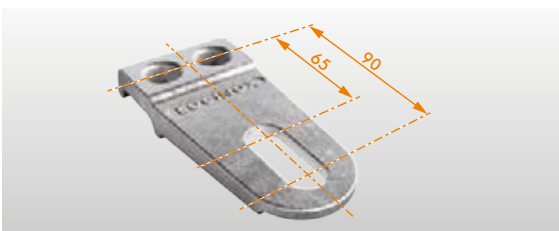
[Discover more on p. 145](#)



BOLTON-P

Bolt-on GRIP in aluminium.

[Discover more on p. 114](#)



GRIP-16-L

Fixation grip for hinge GBMU4D16 with larger depth adjustment.

[Discover more on p. 124](#)

"Smart solutions, better fences"

Protecting what matters. Everyone wants to be safe, right? At home, on their job, at school, out when sporting, etc... Locinox provides that degree of security and comfort. As a Belgium based trendsetter, manufacturer and reputed market leader, we take care of your peace of mind.

Thanks to continuous innovation, thorough quality checks and efficient installation methods, Locinox is the right partner for your gate and fencing projects. Every product is designed and engineered with eye for detail, extreme weatherproofness and added value. All to guarantee an improved durability and lots of modularity and flexibility. Our products are determined to be your partner for the long run and ensure your project to stand out, for a very long time.

With every innovation we're launching; quality, durability and user friendliness are key. We rely on the best components for the best possible solutions. Our test results don't lie - Locinox products stand the test of time!



SERVAL

180° Spring hinge mounted with self-drilling screws.

Discover more on p. 13



Modular with electric keep - Modulec-SF

SFKO

Stainless steel surface mounted keep for insert locks.

Discover more on p. 105



B-SAFE

Stainless steel safety cable for gates up to 500 kg.

Discover more on p. 190



VALENTINO

Surface mounted battery powered electronic code lock.

Discover more on p. 63



Gate closers

Hydraulic gate closers will transform any gate into a self-closing solution. Comfort, safety and peace of mind are guaranteed thanks to pure hydraulic power. High quality components ensure Locinox closers to be 100% weatherproof, maintenance-free and extremely durable. A constant and consistent functioning is guaranteed during an ice cold winter or a sweltering summer. The unique concept ensures an easy and efficient fixation thanks to the patented Quick-Fix system. Moreover, closing speed and final snap can be adjusted very precisely and 100% to your customers' wishes.

- 13** Serval
- 15** Tiger
- 16** Mammoth
- 17** Mammoth-HD
- 19** Interio
- 20** Samson-2
- 21** Panther
- 22** Lion
- 23** Rhino
- 24** Verticlose-2
- 25** Verticlose-2 Wall

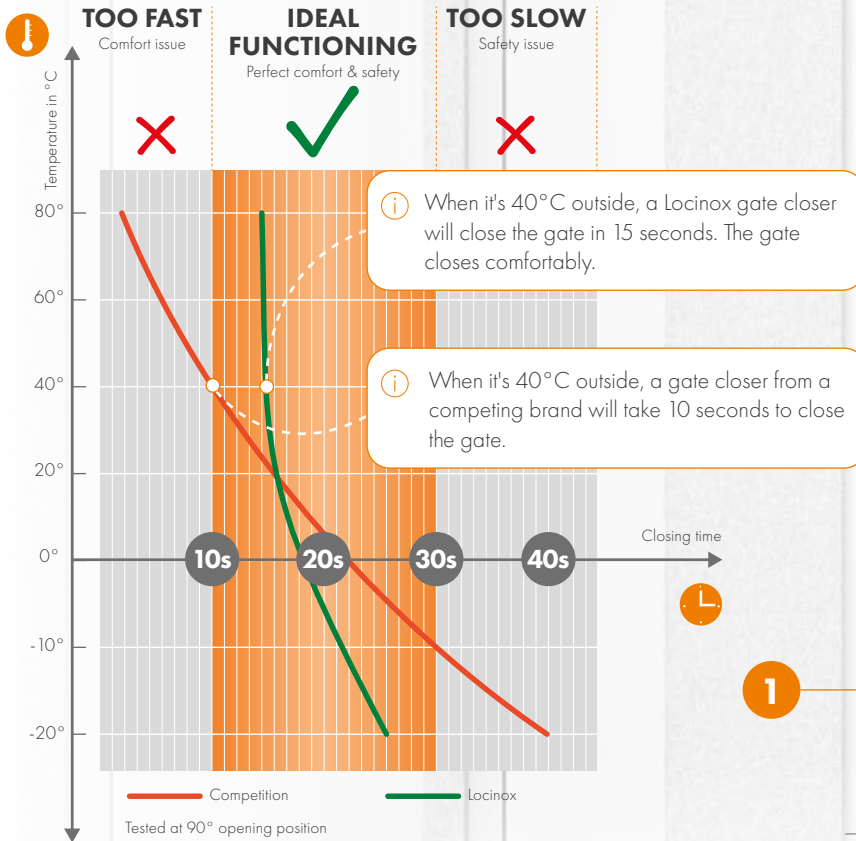


CUTTING EDGE SELF-CLOSING TECHNOLOGY

1 A CONSISTENT CLOSING SPEED FROM FREEZING WINTER TO SIZZLING SUMMER

If your gate closes too slow, children or pets could sneak through. If your gate closes too fast, it might become a problem for wheelchair users. A loud slamming gate is not only annoying for you or your neighbours, it's also harmful for your gate.

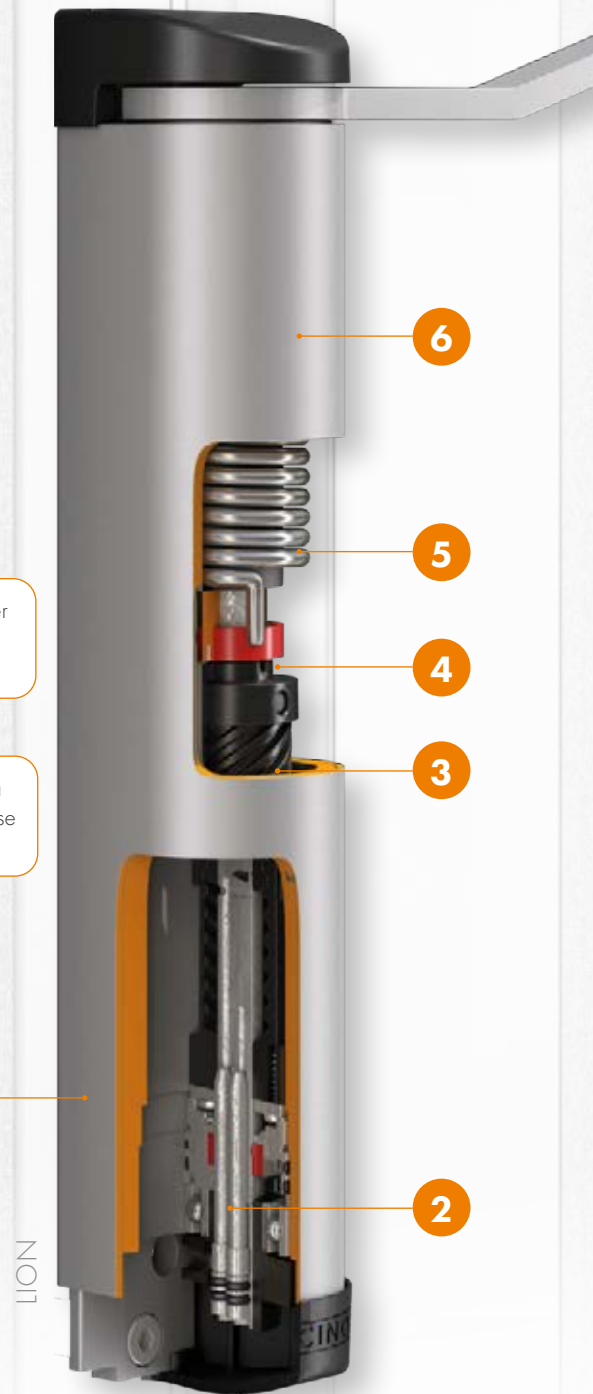
The Active Thermal System, our own cutting-edge development, guarantees a constant closing speed, regardless of the outside temperature.



2 ADJUST SPEED AND FINAL SNAP PRECISELY

Some customers prefer their gate to close slowly, while others want it to go a little faster. No problem! All of our hydraulic gate closers can easily be adjusted in a matter of seconds to the wishes of your customers.

The final snap allows the gate to speed up a little at the end: this way, you are reassured the gate is properly closed. The final snap can easily be adjusted to any need.





3 FUNCTIONS COMFORTABLY

The in-house developed High-Helix screws guarantee a consistent functionality and ensure a comfortable opening speed for the elderly or disabled.

4 DUST- & WATERPROOF

Our gate closers are equipped with rotary seals. These seals protect the gate closers from dirt and dust particles intruding the mechanism, assuring your customers of worry-free functioning for many years to come.

5 CLOSES EVERY TIME

The powerful torsion spring guarantees the necessary closing force. Therefore, your gate will always close: unaffected by strong winds, the width of your gate wing or the outside temperature. You can rest assured.

6 100% PROTECTED

The aluminium anodized housing guarantees full protection against any weather conditions. The housing is windproof, frost-free and dust- & waterproof, allowing your gate closer to function perfectly.

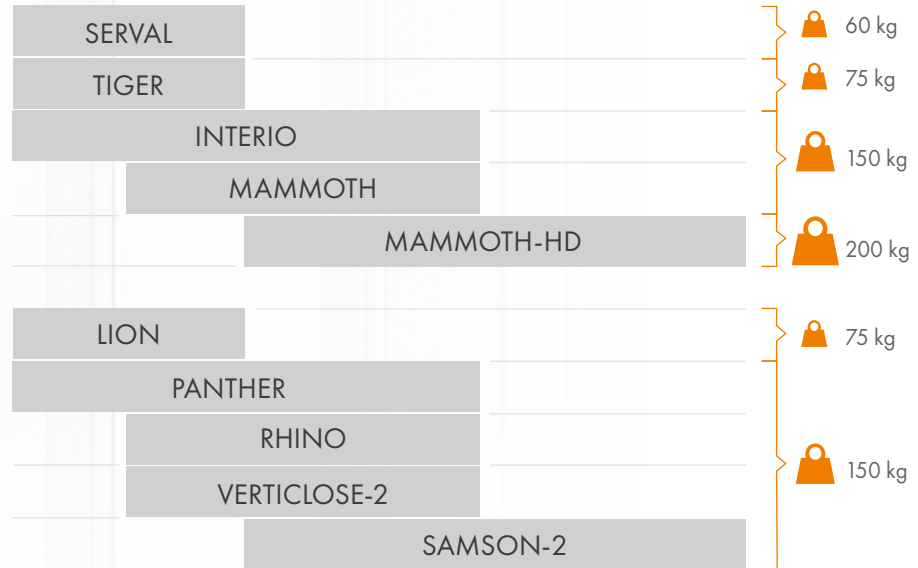
A GATE CLOSER FOR EVERY GATE



GATE CLOSER & HINGE IN ONE

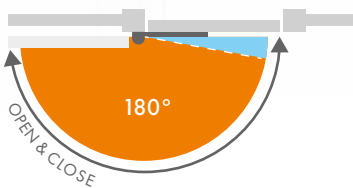


USE WITH EXISTING HINGES



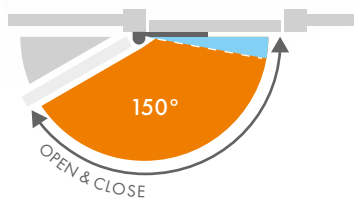
OPENING ANGLE

ALL LOCINOX GATE CLOSERS



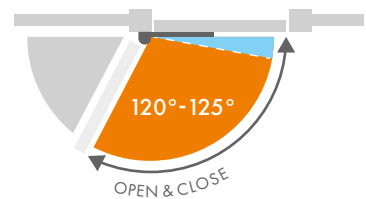
Self-closing Final snap

SAMSON-2



Max. 150° depending on position of hinge and gate closer

INTERIO (125°) & PANTHER (120°)



Depending on position of hinge and gate closer

Find your gate closer thanks to our [handy gate closer configurator](http://www.locinox.com) on www.locinox.com



NEW 180° Spring hinge mounted with self-drilling screws

SERVAL

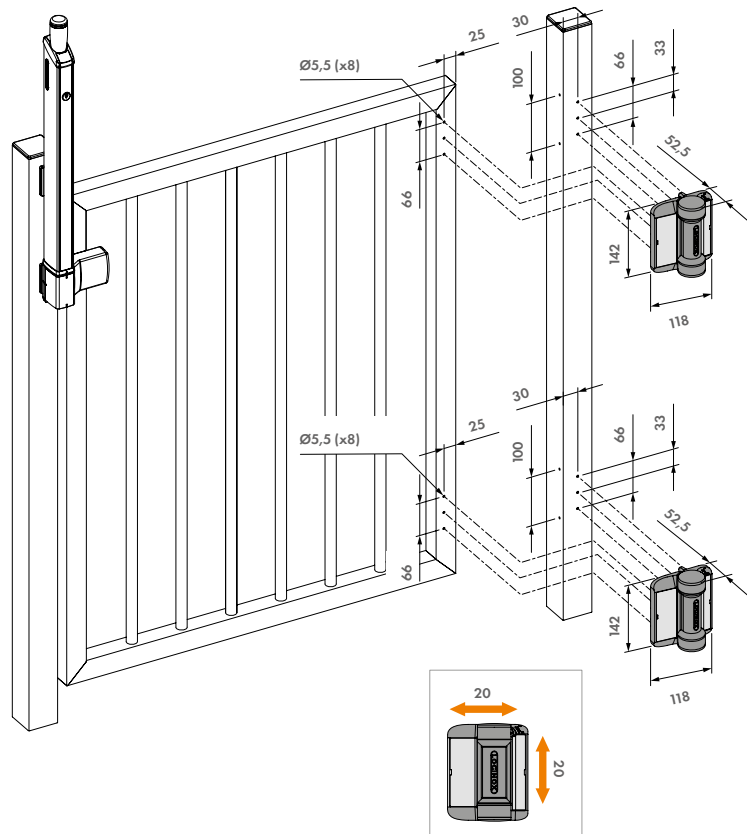


Specifications

- ✔ 180° spring hinge with force adjustability
- ✔ Fiberglass reinforced polyamide housing
- ✔ For left and right turning gates
- ✔ Fast and easy fixing with self drilling screws
- ✔ Force adjustability from 2 up to 7 Nm (at closed position)
- ✔ Easy to open: Max. 10 Nm
- ✔ 20 mm horizontal and vertical adjustability

Order codes

- SERVAL-SD-R** 180° Spring hinge mounted with self-drilling screws for round profiles
- SERVAL-SD-K** 180° Spring hinge mounted with self-drilling screws for square profiles



Compatible products



NOSTEP
P. 183



**A SILENT
OPENING &
CLOSING**



**SAFE
FOR
WHEELCHAIR
USERS**

EXCEPTIONAL
PRECISE ADJUSTMENT OF
SPEED & FINAL SNAP
FOR YOUR
COMFORT



**VANDAL
PROOF**

10

FEATURES SETTING LOCINOX GATE CLOSERS APART!



**CHILD
& PET
FRIENDLY**

**EFFICIENT
INSTALLATION
FAST & EASY**



DURABLE
TESTED FOR
500 000
MOVEMENTS



**100%
HYDRAULIC
GREEN &
MAINTENANCE
FREE**



**3 YEAR
WARRANTY**

EXTREME
WEATHERPROOF

CONSTANT CLOSING SPEED

-30° ▶ +70°C



Compact hinge and gate closer in one

TIGER (Patented)

180° self-closing hydraulic hinge with precise adjustments on speed and final snap. The aluminium powder coated housing and unique high-tech components allow the Tiger to function perfectly in any weather situation. We highly recommend the Tigerdrill for an even more efficient installation. The Puma hinge is included.



Color options

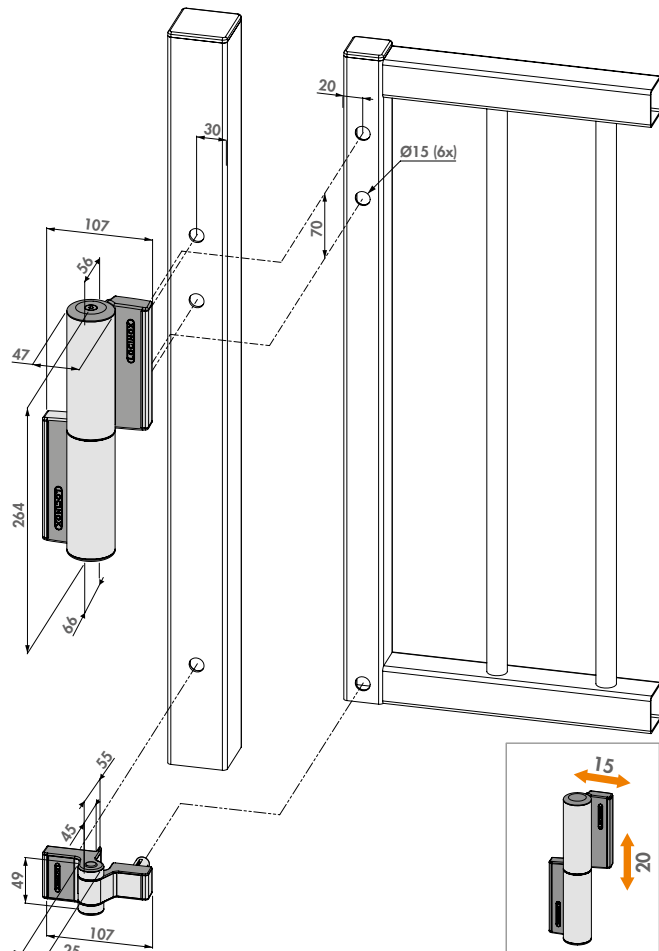
ZILV 9005

Specifications

- ✔ Automatic 180° closure with adjustable closing speed and final snap
- ✔ Aesthetic design
- ✔ Powder coated aluminium housing
- ✔ Closing speed unaffected by humidity and temperature changes
- ✔ For left and right turning gates
- ✔ Fast and easy fixing with Quick-Fix
- ✔ 15 mm horizontal adjustability
- ✔ 20 mm vertical adjustability
- ✔ Easy to open: Max. 14 Nm

Order code

TIGER Hydraulic gate closer and Puma 180° hinge for gates up to 75 kg



Recommended installation tools



TIGERDRILL
P. 160



CLB-TIGER
P. 182

Hydraulic 180° gate closer and hinge in one

MAMMOTH-180 (Patented)

Elegant and powerful self-closing hinge for 180° gate situations. Mammoth is perfectly fit for gates up to 150 kg and 1500 mm wide. It is equipped with a double bearing for exceptional functionality. The Active Thermal System guarantees a constant closing speed, unaffected by weather conditions. The Dino hinge is included.



Color options

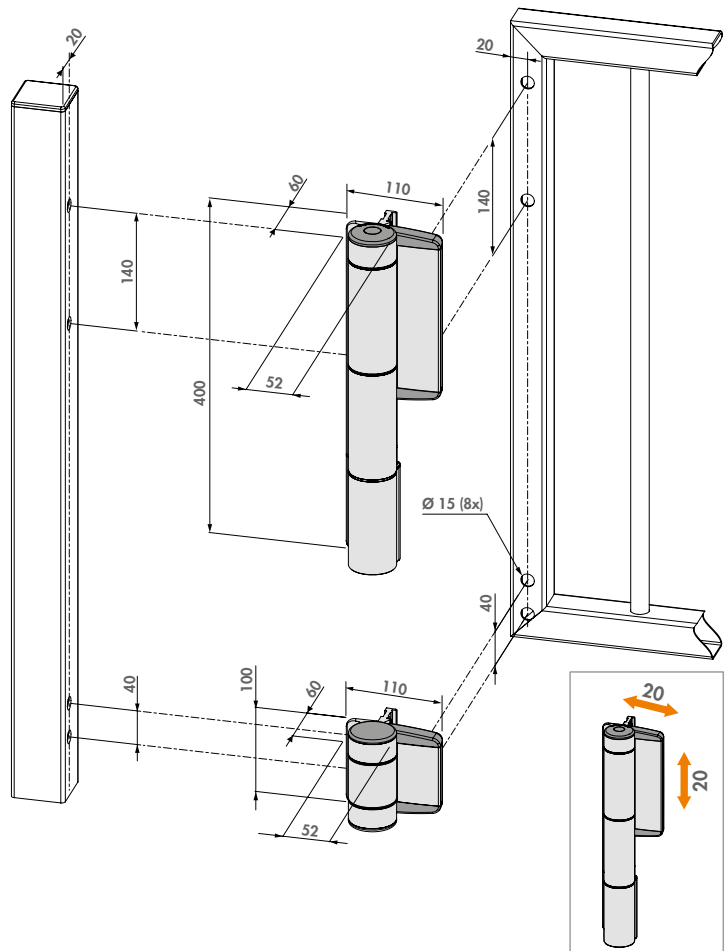
ZILV 9005

Specifications

- ✓ Self-closing hinge with patented hydraulic damping
- ✓ Aesthetic design
- ✓ Powder coated aluminium housing
- ✓ Closing speed unaffected by temperature changes
- ✓ Easy to open: Max. 16 Nm
- ✓ Vandal-proof
- ✓ For left and right opening gates
- ✓ Easy mounting with Quick-Fix
- ✓ 2-dimensionally adjustable (2 x 20 mm)

Order code

MAMMOTH-180 Stylish hydraulic gate closer for heavy gates



Recommended installation tools



CLB-MAMMOTH
P. 182

Highly powerful hydraulic 180° gate closer and hinge-in-one

MAMMOTH-HD (Patented)

This heavy-duty gate closer and hinge-in-one is fit to close the heaviest gates. The hydraulically damped Mammoth in combination with the powerful self-closing Raptor hinge is the perfect solution to close gates up to 200 kg and 2000 mm wide. Both hinges are equipped with double bearings which guarantee an extremely smooth functioning. The Active Thermal System guarantees a constant closing speed, unaffected by weather conditions. The Raptor hinge is included.



Color options

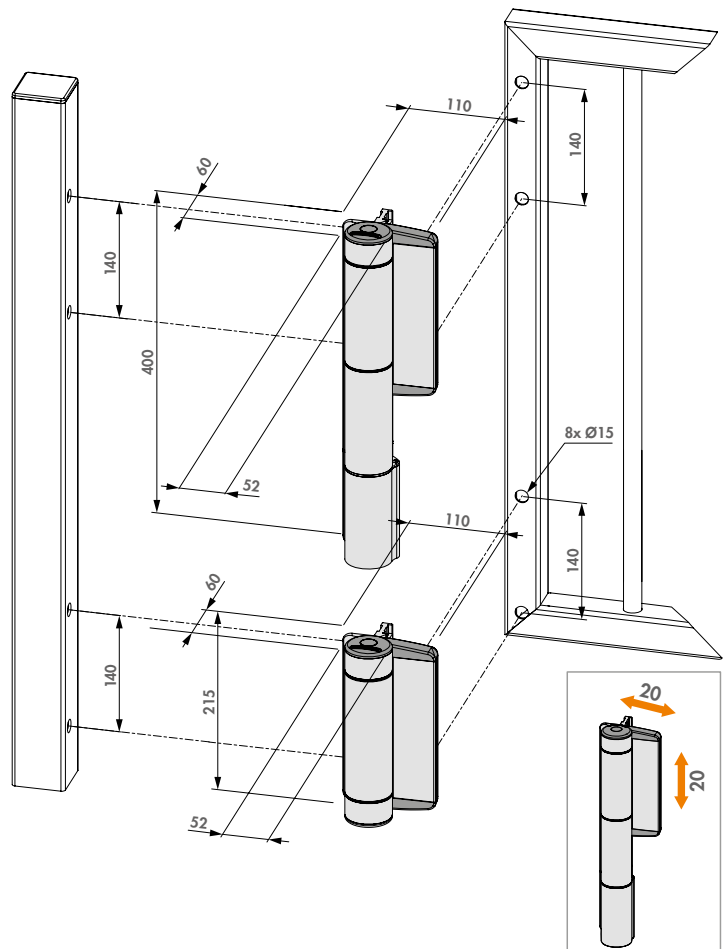
ZILV 9005

Specifications

- ✔ 180° hydraulic gate closer with adjustable speed and final snap
- ✔ Aesthetic design
- ✔ Powder coated aluminium housing
- ✔ Closing speed unaffected by temperature changes
- ✔ Easy to open: Max. 32 Nm
- ✔ Vandal-proof
- ✔ For left & right turning gates
- ✔ Easy mounting with Quick-Fix

Order code

MAMMOTH-HD Highly powerful hydraulic 180° gate closer and hinge-in-one, for gates up to 200 kg



Recommended installation tools

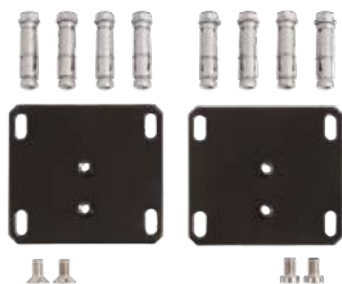


CLB-MAMMOTH
P. 182

Wall fixation set for Interio gate closer

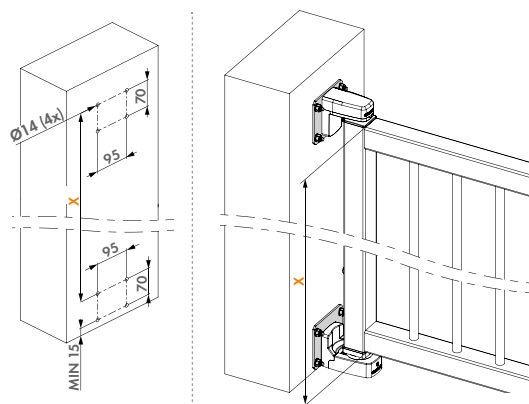
INTERIO-WALL-9005

Optional set to fix the Interio gate closer directly on the wall. This set consists of two wall plates made of hot-dip galvanized steel. All fixations are included.



Specifications

- ✔ Wall plate made of hot-dip galvanized metal with RAL9005 powder coating
- ✔ Distance between gate and wall: min. 29 mm
- ✔ Depth adjustment: 15 mm
- ✔ Height adjustment: 10 mm
- ✔ Minimal opening under the gate: 15 mm
- ✔ Only compatible with Interio gate closer



Compatible gate closer



Order code

INTERIO-WALL-9005 Optional wall fixation set, only compatible with Interio gate closer

INTERIO
P. 19

Ground fixation set for Interio gate closer

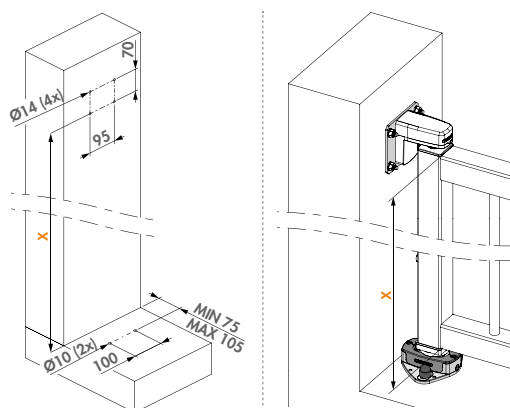
INTERIO-GROUND-9005

Optional set to fix the Interio gate closer directly on the ground. This set consists of a ground hinge and a wall panel. Including all fixations.



Specifications

- ✔ Wall plate made of hot-dip galvanized metal with RAL9005 powder coating
- ✔ Bottom hinge fixation block made of aluminium
- ✔ Anchor bolts included
- ✔ Distance between gate and wall: min. 29 mm - max. 54 mm
- ✔ Depth adjustment: 15 mm
- ✔ Height adjustment: 10 mm
- ✔ Minimal opening under the gate: 22,5 mm
- ✔ Only compatible with Interio gate closer



Compatible gate closer



Order code

INTERIO-GROUND-9005 Optional ground fixation set, only compatible with Interio gate closer

INTERIO
P. 19

Invisible, built-in hydraulic gate closer

INTERIO (Patented)

The invisible Interio gate closer, with matching hinge set, is completely built into the gate frame. This highly aesthetic solution opens and closes the gate comfortably. The integrated pre-tension ensures an efficient and flawless installation where speed and final snap can be adjusted accurately to fit any need. A constant closing speed is guaranteed in all weather conditions, without any adjustments needed. Interio is perfectly suited for both left and right turning gates.

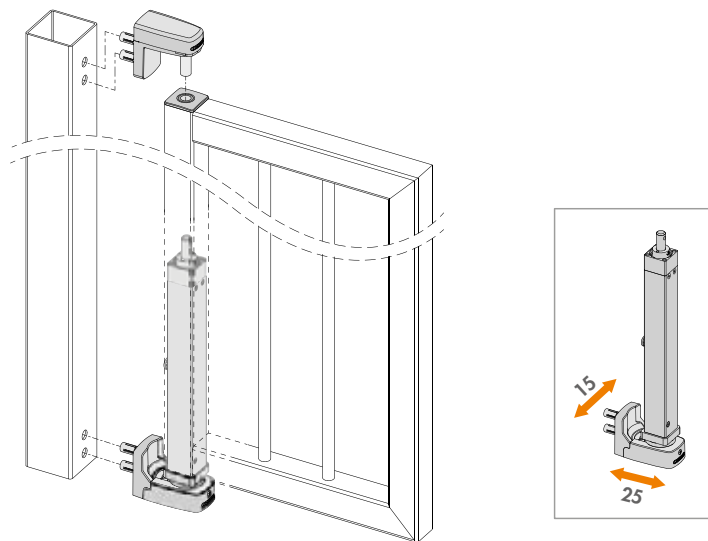


Color options

9005

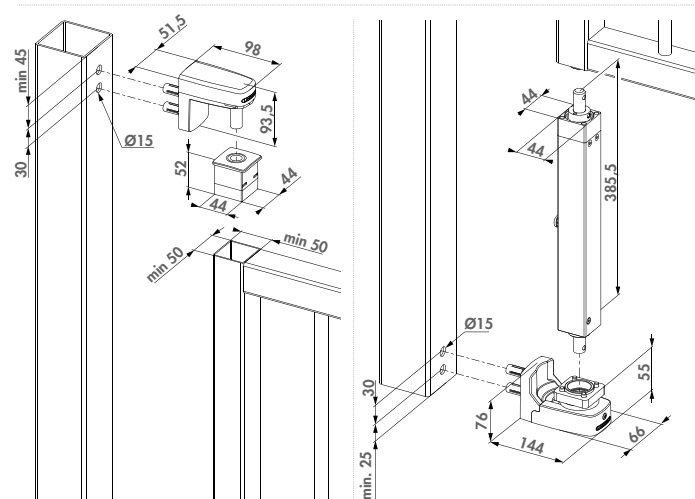
Specifications

- ✔ Self-closing up to 125° (depending on the situation) with adjustable closing speed and final snap
- ✔ Constant closing speed in hot or cold weather
- ✔ Vandal-proof
- ✔ For left & right turning gates
- ✔ Available for 50 and 60 mm profiles with max 2 mm thickness
- ✔ Optional sets available for ground and wall installation
- ✔ Recommended with Gatestop



Order code

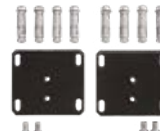
INTERIO Hydraulic built-in gate closer for gates up to 150 kg



Compatible products



INTERIO-GROUND-9005
P. 18



INTERIO-WALL-9005
P. 18



NOSEHINGE-I
P. 133

Hydraulic gate closer for large gates

SAMSON-2 (Patented)

Simple installation and versatility make it the perfect fit for larger gates. Samson-2 is a polyvalent hydraulic gate closer developed with high quality components for an exceptional long life span. Temperature changes do not affect the smooth and constant functionality. The set of mounting brackets that are delivered with the closer make Samson-2 fit for any gate.



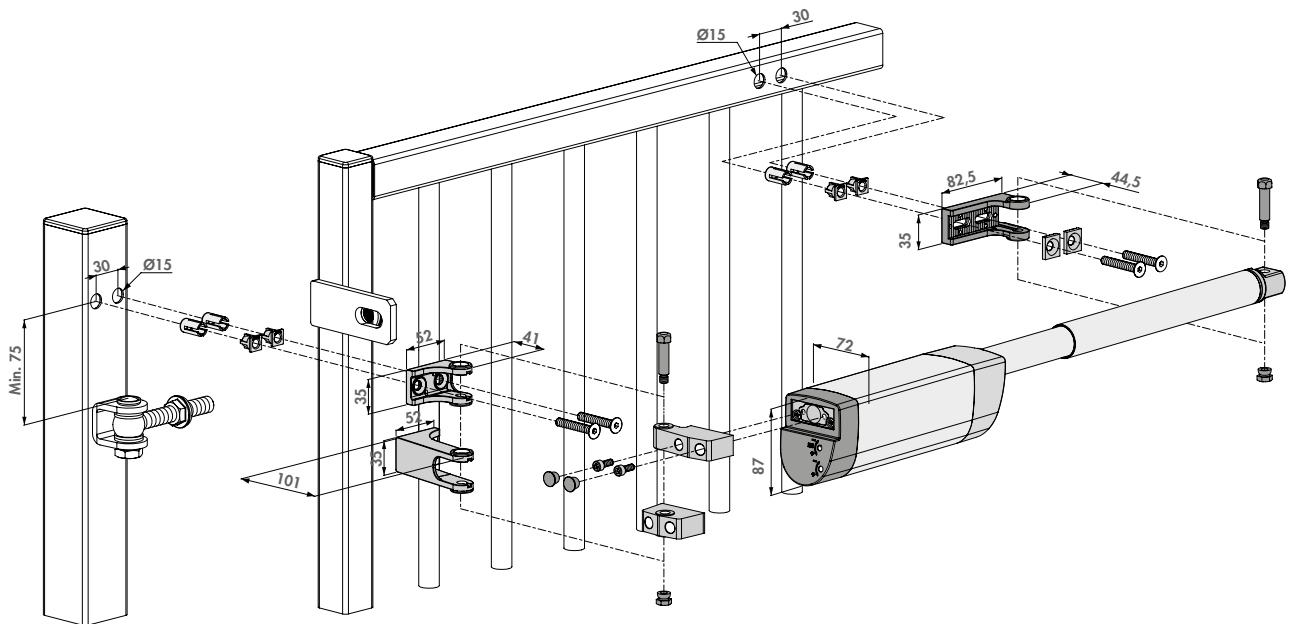
Color options

ZILV



Specifications

- ✓ Opening angle up to 150° depending on the situation
- ✓ Specially developed for outdoor use: industrial quality
- ✓ Scratch resistant and corrosion free anodized aluminium housing
- ✓ Closing speed unaffected by temperature changes
- ✓ Fast and easy fixing with Quick-Fix
- ✓ For left and right turning gates
- ✓ Easy to open: Max. 25 Nm



Recommended products



Order code

SAMSON-2 Hydraulic gate closer for gates up to 150 kg

SB-
P. 179

All-round hydraulic gate closer for wall and post mounting

PANTHER



Versatile, easy-to-install and compact gate closer designed specially for wall and post situations. Panther is installed above the gate or between two pillars and can precisely be adjusted to anyone's wishes. The guaranteed closing force over the full 120° opening angle results in a worry free use, whatever the weather conditions. The aesthetic and scratch free anodized housing ensures a very long life cycle.



Color options

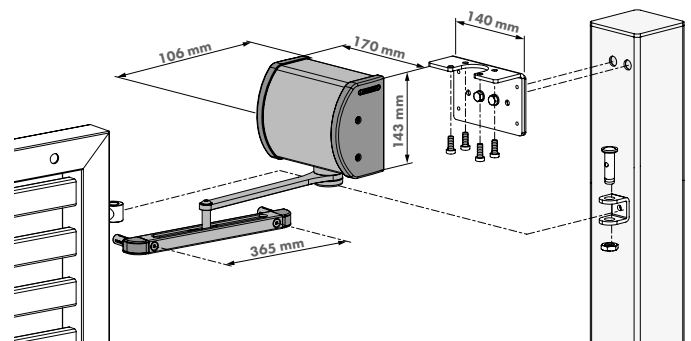
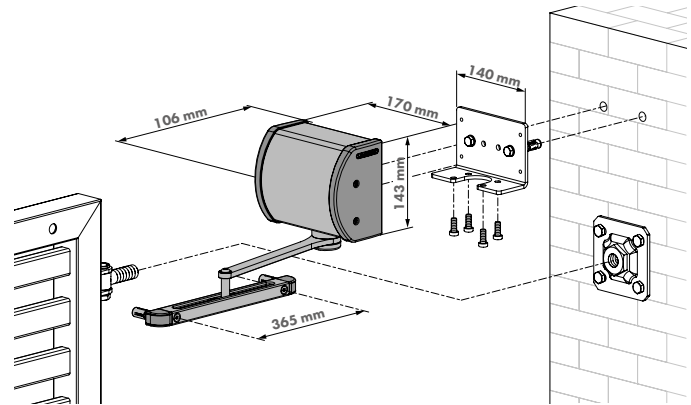
9005

Specifications

- ✔ Self-closing gate closer with adjustable speed and final snap
- ✔ Closing speed unaffected by temperature changes
- ✔ Aesthetic & compact design
- ✔ Scratch resistant and corrosion free anodized aluminium housing
- ✔ Designed to be installed above the gate
- ✔ Integrated pre-tension for extremely smooth installation
- ✔ Closing force over the full 120° opening angle
- ✔ Recommended with Gatestop

Order code

PANTHER All-round hydraulic gate closer for wall and post mounting, for gates up to 150 kg



Related products



1034A2-
P. 120

1034ROLL-HDG-
P. 120

Compact and polyvalent gate closer, fits every gate situation

LION (Patented)

The attractive and compact Lion gate closer is unique in its kind. This hydraulic all-rounder is fit for every possible gate situation. Moreover, both 90° and 180° railsets are included in the package, allowing for more flexibility on site. The anodized aluminium housing combines a handsome look with a durable and spotless functioning for many years. Choose the Lion-VTC Drill for an even faster installation.

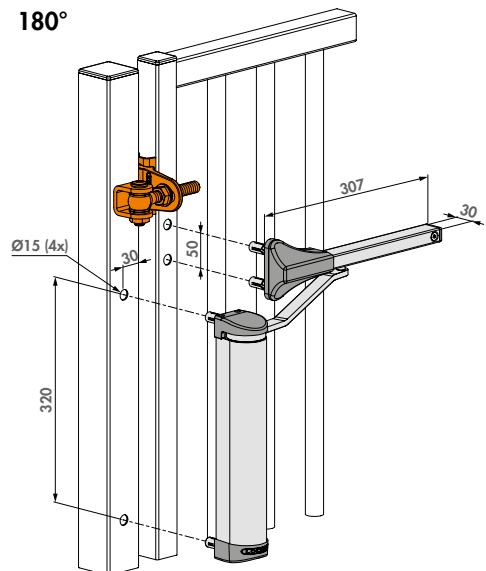
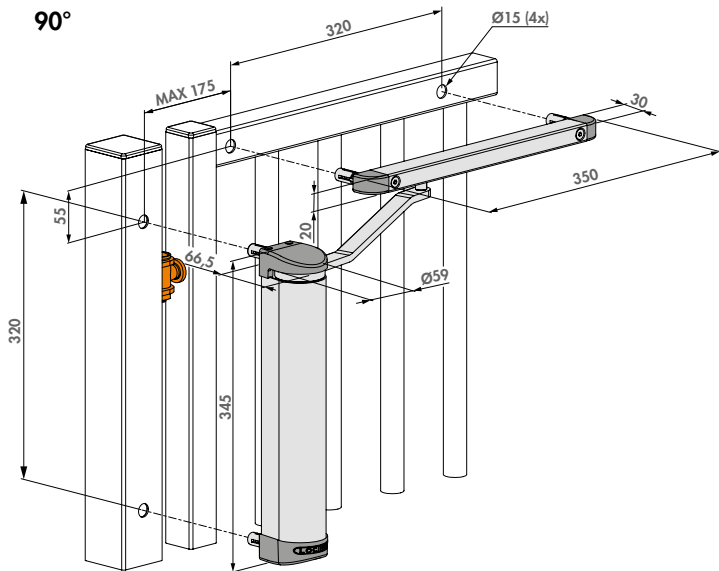


Color options

ZILV 9005

Specifications

- ✔ Automatic 180° - closing with adjustable closing speed and final snap
- ✔ Railset included for 90° and 180° situations
- ✔ Scratch resistant and corrosion free anodized aluminium housing
- ✔ Compact & aesthetic design
- ✔ Closing speed unaffected by temperature changes
- ✔ For left & right turning gates
- ✔ Integrated pre-tension for extremely smooth installation
- ✔ Easy to open: Max. 16 Nm



Recommended installation tools



Order code

LION Compact hydraulic gate closer for any situation

LION-VTC-DRILL
P. 161

SHELL-LION-
P. 180

3018LION
P. 180



Aesthetical 180° gate closer with direct connection to the hinge RHINO (Patented)

Transform your 180° hinge into a self-closing solution thanks to our Rhino hydraulic gate closer. The direct connection to the Locinox hinge guarantees the discreet look and efficient transmission of the energy required to close the gate perfectly. The anodized aluminium housing ensures a durable and smooth operation in any weather. The Rhinodrill jig guarantees an extremely efficient installation.



Color options

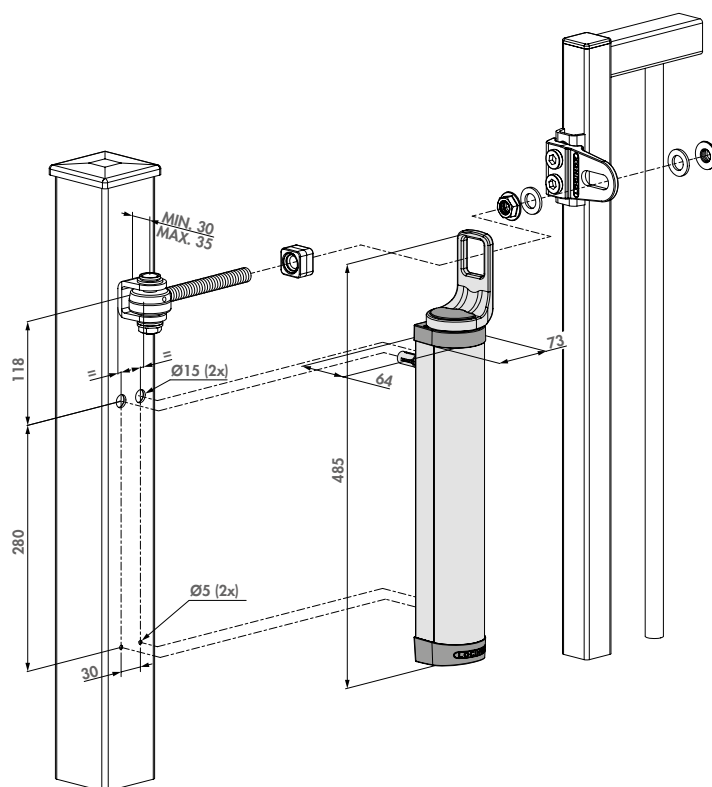
ZILV 9005

Specifications

- ✔ 180° hydraulic gate closer with adjustable speed and final snap
- ✔ Closing speed unaffected by temperature changes
- ✔ Scratch resistant and corrosion free anodized aluminium housing
- ✔ Direct assembly on 180° hinges M16 & M20 (GBMU & GBMU4D)
- ✔ Bearing eyebolt is recommended (1034ROLL-M16)
- ✔ Integrated pre-tension for extremely smooth installation
- ✔ Easy to open: Max. 20 Nm

Order code

RHINO Hydraulic gate closer for gates up to 150 kg



Recommended installation tools



RHINODRILL
P. 160



1034ROLL-HDG-
P. 120



SHELL-RHINO-VTC-
P. 181

Powerful all-round hydraulic gate closer for 90° and 180° hinges

VERTICLOSE-2 (Patented)



The Verticlose-2 gate closer is top-of-the-range within the Verticlose product series. It is extremely multifunctional and possesses excellent features, which makes Verticlose-2 a perfect fit for both 90° and 180° hinge situations. The integrated pre-tension and continuous adjustability of speed and final snap, combined with our Quick-Fix mounting system, guarantee a quick and efficient installation. The aesthetic anodized aluminium gate closer with high-tech internal components ensures an exceptionally long life span. We highly recommend the Lion-VTC Drill for an even more efficient installation.

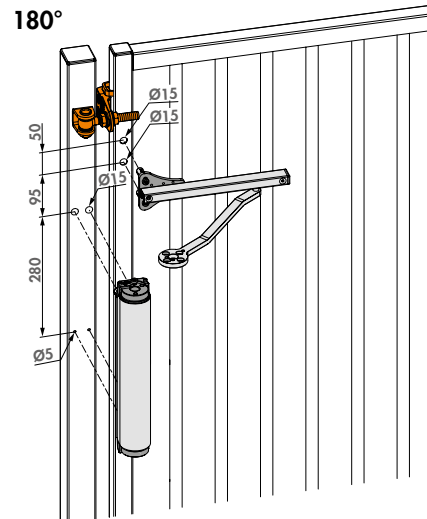
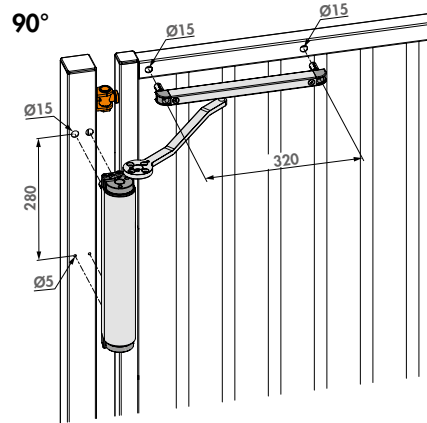


Color options

ZILV 9005

Specifications

- ✓ Micro adjustment of speed and final snap
- ✓ Railset included for 90° and 180° situations
- ✓ Scratch resistant and corrosion free anodized aluminium housing
- ✓ Aesthetic & compact design
- ✓ Integrated pretension for extra smooth installation
- ✓ Closing force over the full 180° opening angle
- ✓ Firmly fixed thanks to patented Quick-Fix system
- ✓ Easy to open: Max. 25 Nm



Order code

VERTICLOSE-2 Powerful and all-round hydraulic gate closer for 90° and 180° hinges



Recommended installation tools



LION-VTC-DRILL
P. 161



SHELL-RHINO-VTC-
P. 181

Powerful and all-round hydraulic gate closer for wall mounting

VERTICLOSE-2-WALL (Patented)

The Verticlose-2 Wall gate closer has been specifically designed for wall mounting where the gate closer itself is positioned 90° in relation to the gate. The specially designed arm turns around the wall or post, ensuring a large opening angle. The aesthetic anodized aluminium gate closer with high-tech internal components ensures an exceptionally long life span.

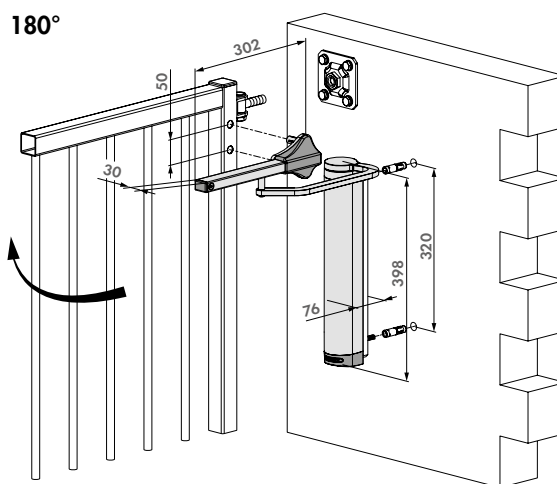
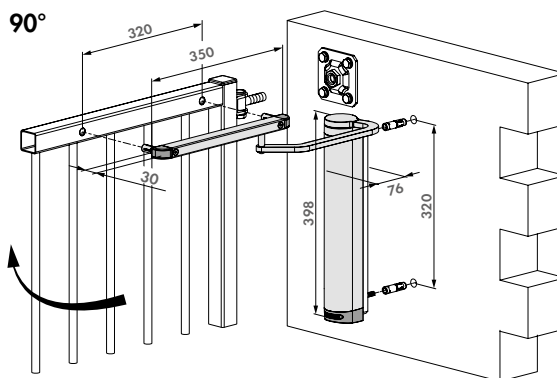


Color options

ZILV

Specifications

- ✔ Self-closing gate closer with adjustable speed and final snap
- ✔ Specially designed arm for wall mounting while guaranteeing a big opening angle
- ✔ Scratch resistant and corrosion free anodized aluminium housing
- ✔ Aesthetic & compact design
- ✔ Integrated pretension for extra smooth installation
- ✔ Closing force over the full 180° opening angle
- ✔ Firmly fixed thanks to patented Quick-Fix system
- ✔ Easy to open: Max. 25 Nm



Order code

VERTICLOSE-2-WALL Powerful and all-round hydraulic gate closer for wall mounting



Recommended installation tools



LION-VTC-DRILL
P. 161



SHELL-RHINO-VTC-
P. 181



Automation & Electronics

Automation has become a fundamental factor in the fence & gate industry. Locinox offers many solutions for user-friendly smart gates and fences.

- 28** Keypads
- 30** Electromagnetic locks
- 42** Electrical accessories
- 45** Power supplies

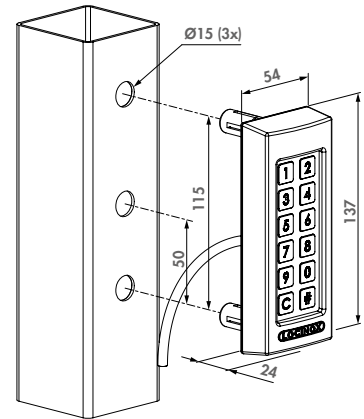




NEW Strong, frost-free and watertight keypad

SLIMSTONE-X-

The durable and highly robust SlimStone-X keypad has been developed to work in combination with devices such as the SwitchStone-STD relay module. When both combined, the SlimStone-X ensures maximum security against burglary thanks to 2 external relays, both with a Common, Fail Open and Fail Close contact. The keypad is easy in installation and configuration, and is developed and tested for use in the most extreme weather conditions (IP68).



Color options

ZILV 9005

Specifications

- ✔ IP68 rated - Extremely resistant to water and dust
- ✔ Long range secure 2-wire communication with SwitchStone-STD, distance up to 300 m
- ✔ Auto back up functionality
- ✔ Secured against burglary thanks to external relay
- ✔ Energy efficient adjustable white led lights
- ✔ Highly resistant stainless steel push buttons tested for 1,000,000 pushes and more
- ✔ Easy programming of up to 400 user codes
- ✔ Frost-free thanks to smart heating
- ✔ Tested from -30 up to +85° Celsius
- ✔ Current: 520 mA (with heating)
- ✔ Consumption: 1,5 W (> 5°C) + 12 W at max heating (< -25°C)

Compatible products



MODULEC-SA
P. 95

INTRALEC-
P. 107

LIQ U2
P. 69

B-MAG-
P. 31

Order code

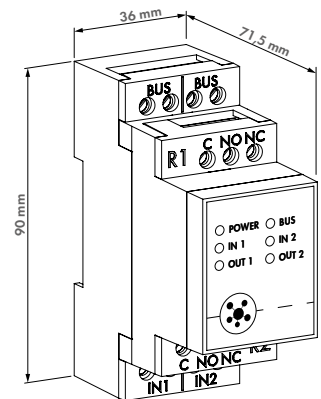
SLIMSTONE-X- Strong, frost-free and watertight keypad

NEW 2-channel relay module

SWITCHSTONE-STD-



The SwitchStone-STD relay module has been developed to work in combination with devices such as the SlimStone-X keypad. The SwitchStone-STD ensures maximum security thanks to 2 external relays, both with a Common, Fail Open and Fail Close contact. These relays are capable of switching voltages up to 250V AC/26V DC, allowing them to be used in a wide range of applications, including switching lighting. Free exit functionality can be easily implemented using the 2 inputs on the module.



Specifications

- ✔ Includes 2 250V AC/26V DC relays, each with COM, Fail Open and Fail Close contact
- ✔ Long range secure 2-wire communication with the SlimStone-X, up to 300 m distance
- ✔ Auto back up functionality
- ✔ DIN-rail mountable
- ✔ Tested from -30 up to +85° Celsius
- ✔ Relay switching duration adjustable between pulse and timer mode (500 ms - 99 s)
- ✔ Voltage: 24 V DC
- ✔ Current: maximum 0.07 A
- ✔ Consumption: maximum 1.7 W

Compatible products



SLIMSTONE-X-
P. 28

PB-1
P. 44

POWERSTONE-
P. 46

Order code

SWITCHSTONE-STD-X-230 2-channel relay module with NO/NC contact



Sturdy, frost-free and weather resistant keypad with 2 integrated relays

SLIMSTONE-2-

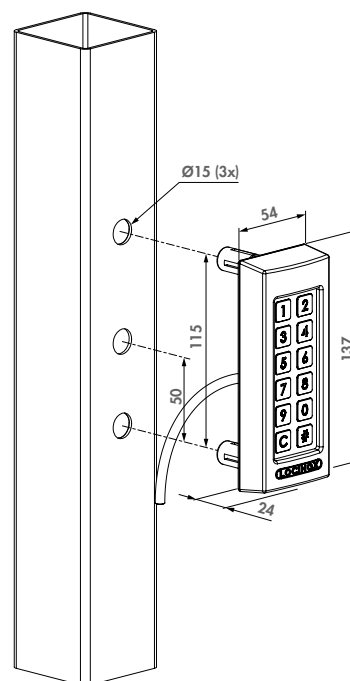
The new SlimStone-2 keypad contains two relays for an improved access control and advanced flexibility. It offers the possibility to command 2 different automation devices or to open the gate in 2 different ways. This keypad with integrated led lighting is unique thanks to its strength and extreme weather resistance (IP68). In all weather conditions, access control is guaranteed. Both integrated relays, with a Fail Open and Fail Close contact, allow an easy connection to Locinox and third-party automation products.

Color options

ZILV 9005

Specifications

- ✓ IP68 rated - Extremely resistant to water and dust
- ✓ Aluminium vandal-proof housing with scratch-resistant textured lacquer
- ✓ Highly resistant stainless steel push buttons tested for 1,000,000 pushes and more
- ✓ Easy installation and configuration
- ✓ Easy programming of up to 100 user codes
- ✓ Frost-free thanks to smart heating
- ✓ Time range adjustable between pulse and timer mode (100ms - 99s)
- ✓ Working voltage keypad from 10 up to 26 Volt AC/DC
- ✓ Current: 1.0 A (with heating)
- ✓ 2 integrated switching relays: 2 x NO - 2 x NC - 2 x COM (Max. 2A, 60W, 26V AC/DC)
- ✓ Consumption: 1,5 W (> 5°C) + 12 W at max heating (< -25°C)



Compatible products



MODULEC-SA
P. 95



INTRALEC-
P. 107



LIKQ U2
P. 69



Order code

SLIMSTONE-2- Sturdy, frost-free and weather resistant keypad with 2 integrated relays

Electrical accessories



DVK-HD
P. 45



DVK
P. 44



2005
P. 45



PB-1
P. 44

Recommended power supplies



AC-TRANS-12V-25W
P. 45



DC-POWER-12V-20W
P. 46



POWERSTONE-
P. 46

BUILT-IN MAGNETIC LOCKS

A FULL CONCEPT FOR SWING GATES

MAGUNIT

High quality insert magnetic lock with guaranteed holding force and long durability. 500h salt spray resistant.

N-LINE-B-MAG

Aesthetic, adjustable and powder coated finishing profile for swing gates preventing people to stumble against protruding parts.

3006PULL

Elegant powder coated handle for easy opening and closing of the gate.

TIP

- Save time and order the all-in-one **N-LINE-B-MAG KIT**
- Make your gate self-closing with the powerful **VERTICLOSE-2** gate closer



Built-in magnetic lock

B FULL CONCEPT FOR SLIDING GATES



MAGUNIT

High quality insert magnetic lock with guaranteed holding force and long durability. 500h salt spray resistant.

N-LINE-S-MAG

Aesthetic, adjustable and powder coated finishing profile for sliding gates preventing people to stumble against protruding parts.

3006PULL

Elegant powder coated handle for easy opening and closing of the gate.



TIP

- Add access control to your gate with the strong, frost-free and watertight **SLIMSTONE-2** keypad (IP68)





Integrated magnet lock for swing gates

B-MAG-

Thanks to its assembly in the pole, this magnet lock can be installed invisibly and aesthetically, whilst maximal passage space is maintained. A quick assembly is done with Quick-Fix. It has a guaranteed tensile strength of 250 kg and resists to extreme weather conditions. The rubber bumpers prevent shaking of the gate, and damage to the gate and its accessories in case of harsh handling, and the flexible assembly of the armature plate guarantees a good closing even if the gate isn't perfectly aligned.

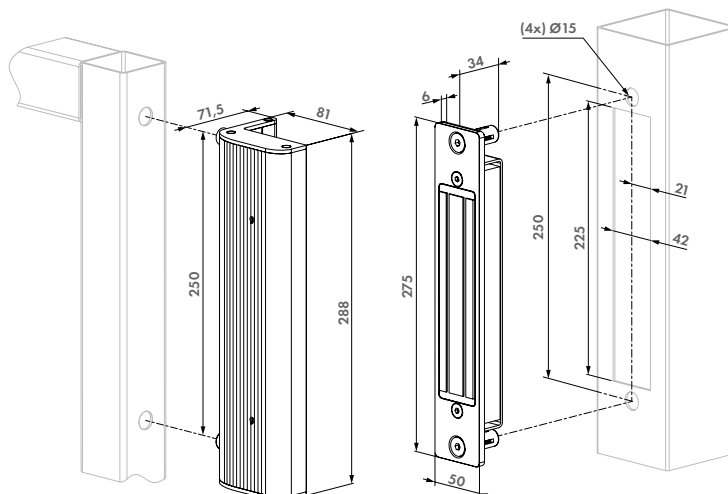


Color options

ZILV 9005

Specifications

- ✔ Guaranteed holding force tested on every magnetic lock
- ✔ Minimal pulling force: 2500N (250 kg)
- ✔ 500h salt spray resistant! SGS certified (ISO 9227)
- ✔ Special two-layer protective coating developed for outdoor use
- ✔ Anti-residual magnetism kick-off system
- ✔ Current: 460mA / 12V or 230mA / 24V



Order code

B-MAG- Integrated magnet and bolt-on anchorplate for swing gates



Recommended products



PB-1
P. 44



DVK-HD
P. 45



SLIMSTONE-2-
P. 29



DC-ACCESS-12V-20W
P. 46



DC-POWER-12V-20W
P. 46



DC-POWER-24V-25W
P. 46

Set with magnet and anchor plate for N-LINE (B or S)-MAG profiles

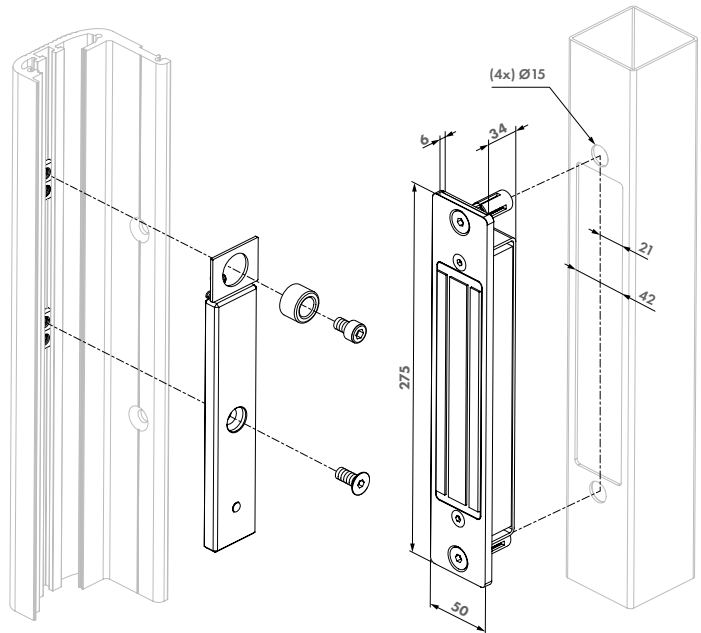
MAGUNIT-2500

Set with a MAG and anchor plate along with fittings to combine with a N-LINE-B-MAG or N-LINE-S-MAG, 1 or more MAGUNITs can be mounted in the N-LINE profile.



Specifications

- ✔ Guaranteed holding force tested on every magnetic lock
- ✔ 500h salt spray resistant! SGS certified (ISO 9227)
- ✔ Special two-layer protective coating developed for outdoor use
- ✔ Anti-residual magnetism kick-off system
- ✔ Current: 460mA / 12V or 230mA / 24V
- ✔ Voltage: 12V / 24V DC
- ✔ Minimal pulling force: 2500N (250 kg)



Order codes

MAGUNIT-2500 Magnet and anchorplate for N-LINE-B-MAG and N-LINE-S-MAG profiles



Required products



N-LINE-B-MAG-
P. 33

N-LINE-S-MAG-
P. 33



Aluminium finishing profile for swing gates to combine with MAGUNIT

N-LINE-B-MAG-

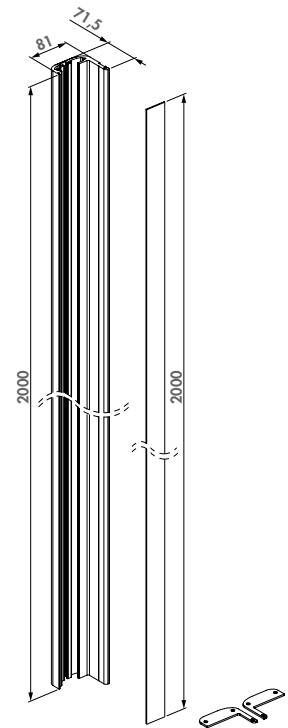
Adjustable, powder coated aluminium design profile for aesthetic closing of swing gates along with 1 or more MAGUNIT-2500. Prevents passersby to stumble against the protruding MAG parts.

Color options

ZILV 9005

Specifications

- ✔ Profile length of 2 m
- ✔ Fast and easy fixing with Quick-Fix
- ✔ Powder coated aluminium housing
- ✔ Specially designed for exterior use



Compatible magnet



MAGUNIT-2500
P. 32

Order codes

N-LINE-B-MAG- Aluminium finishing profile for MAGUNIT-2500



Aluminium finishing profile for sliding gates to combine with MAGUNIT

N-LINE-S-MAG-

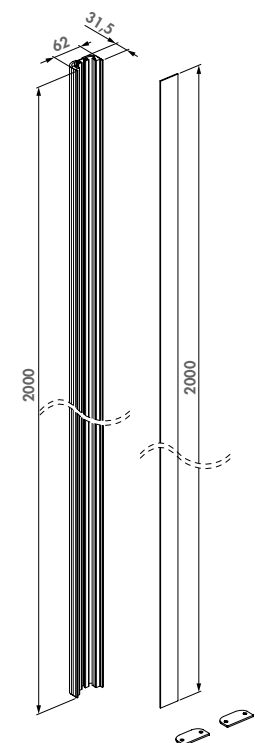
Adjustable, powder coated aluminium design profile for aesthetic closing of sliding gates along with 1 or more MAGUNIT-2500. Thanks to the integrated magnet and the armature plate, which are both integrated in the design profile, a safe and complete solution without any protruding components is guaranteed.

Color options

ZILV 9005

Specifications

- ✔ Profile length of 2 m
- ✔ Fast and easy fixing with Quick-Fix
- ✔ Powder coated aluminium housing
- ✔ Specially designed for exterior use



Compatible magnet



MAGUNIT-2500
P. 32

Order codes

N-LINE-S-MAG- Aluminium finishing profile for MAGUNIT-2500



Set with N-LINE-B-MAG, 2x MAGUNIT & 3006PULL

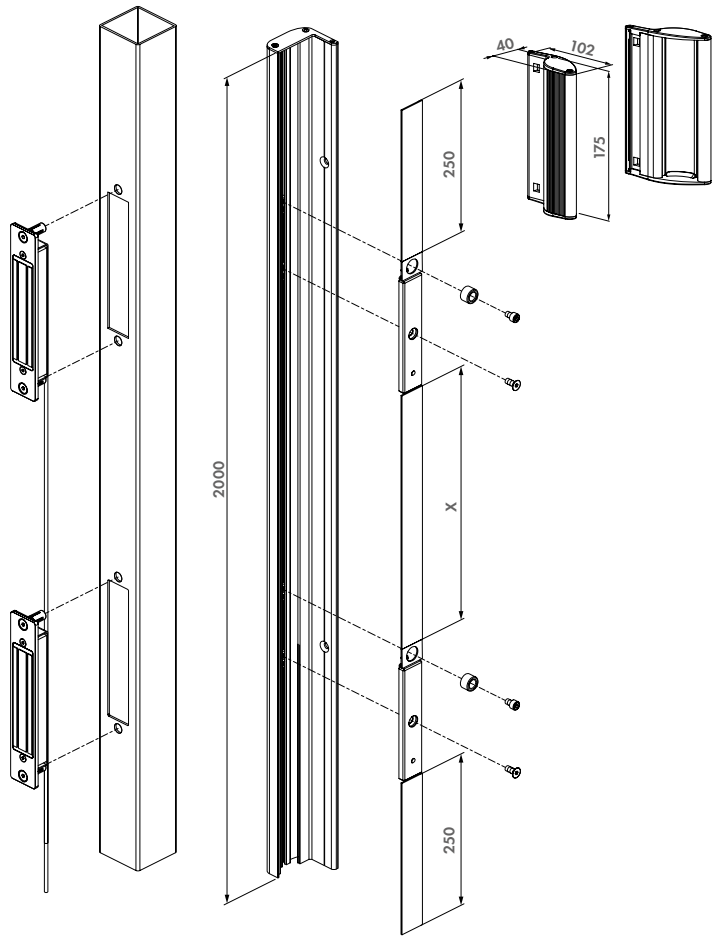
N-LINE-B-MAG-KIT-

Electromagnetic set for swing gates for fixing to the gate frame. The set consists of two MAGUNIT magnetic locks, the 3006PULL and an aesthetic design profile. Available in ZILV and RAL9005.



Specifications

- ✓ Includes 2 integrated magnets equipped with Quick-Fix mounting (MAGUNIT-2500)
- ✓ Including aluminium filling profile with Quick-Fix mounting (N-LINE-B-MAG profile)
- ✓ Profile length of 2 m
- ✓ Including 2 aluminium covers for an aesthetical finishing on top and bottom
- ✓ Specially designed for exterior use
- ✓ Voltage: 12V / 24V DC
- ✓ Current: 460mA / 12V or 230mA / 24V



Order codes

N-LINE-B-MAG-KIT-

Set with N-LINE-B-MAG profile and 2x MAGUNIT-2500



Kit includes



N-LINE-B-MAG-
P. 33



MAGUNIT-2500
P. 32

Integrated magnet lock for sliding gates

S-MAG-

S-MAG is the perfect product to lock any type of sliding gate. It has a guaranteed tensile strength of 250 kg and resists extreme weather conditions. In case of harsh handling, the rubber bumpers prevent shaking of the gate. This way, the gate itself and its accessories are protected. The flexible assembly of the armature plate guarantees a normal closing, even if the gate isn't perfectly aligned.

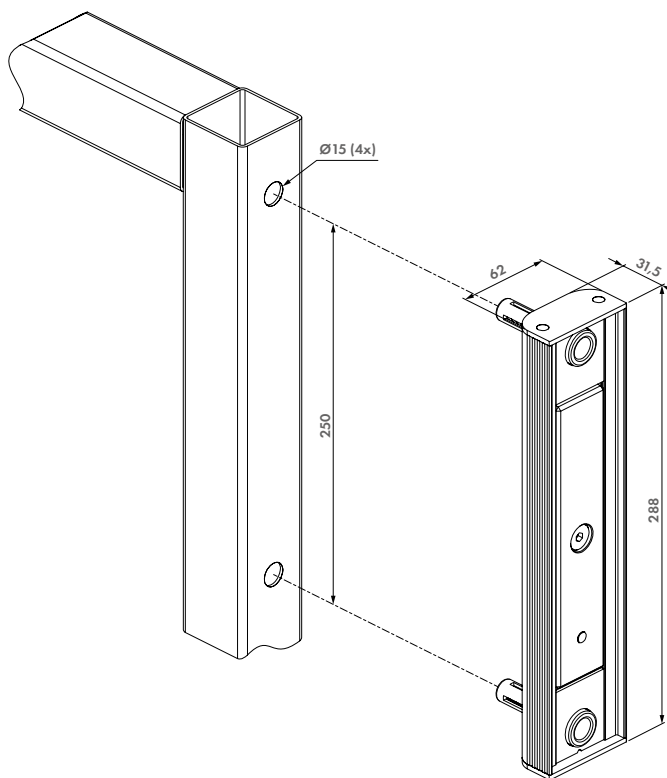


Color options

ZILV 9005

Specifications

- ✔ Guaranteed holding force tested on every magnetic lock
- ✔ 500h salt spray resistant! SGS certified (ISO 9227)
- ✔ Special two-layer protective coating developed for outdoor use
- ✔ Anti-residual magnetism kick-off system
- ✔ Minimal pulling force: 2500N (250 kg)
- ✔ Current: 460mA / 12V or 230mA / 24V



Order codes

S-MAG- Integrated magnet and bolt-on anchorplate for sliding gates, 250 kg pulling force



Recommended products



SLIMSTONE-2-
P. 29



PB-1
P. 44



DVK-HD
P. 45



DC-ACCESS-12V-20W
P. 46



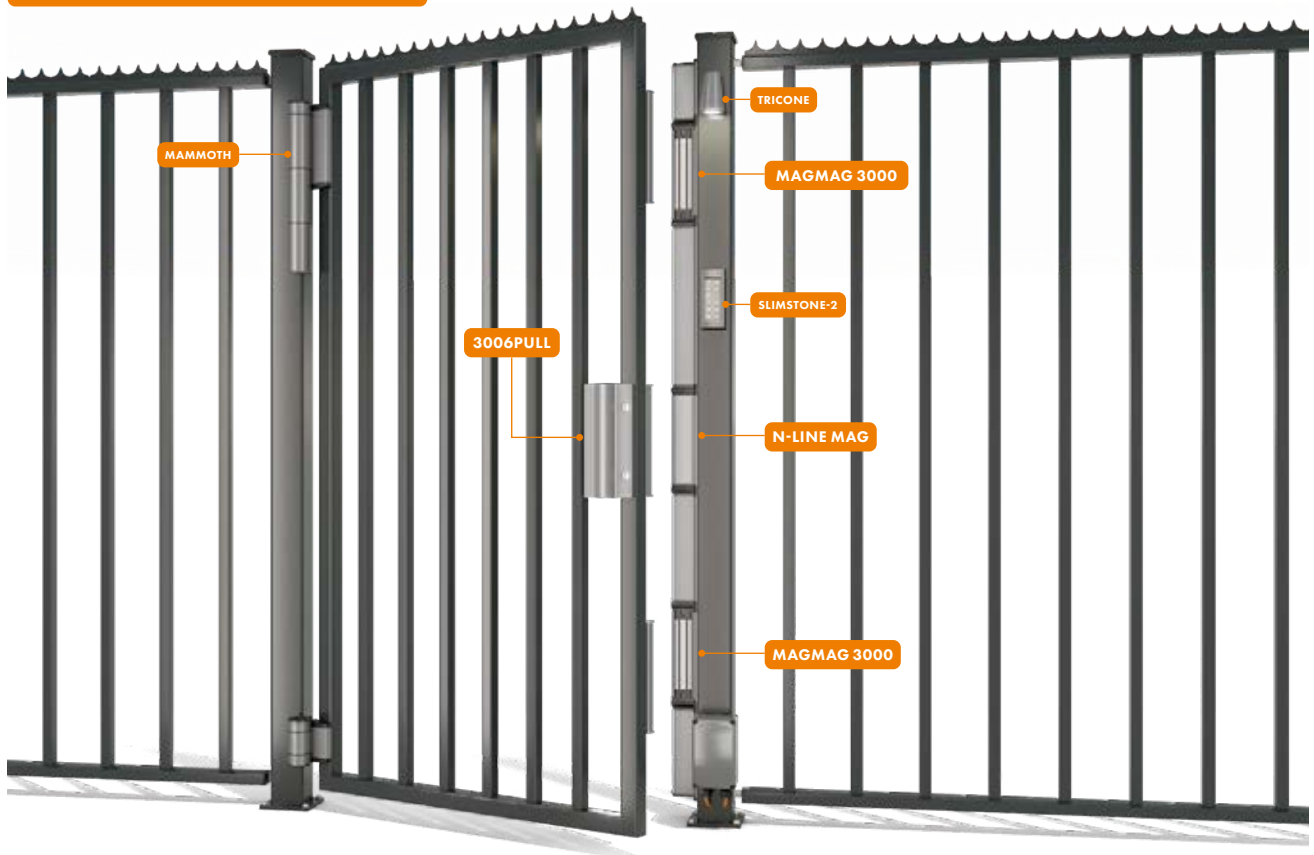
DC-POWER-12V-20W
P. 46



DC-POWER-24V-25W
P. 46

SURFACE MOUNTED MAGNETIC LOCKS

FULL CONCEPT FOR SWING GATES



MAGMAG

High quality surface mounted magnetic lock with guaranteed holding force and long durability. 500h salt spray resistant

N-LINE-MAG

Aesthetic, adjustable and powder coated finishing profile for swing gates preventing people to stumble against protruding parts

3006PULL

Elegant powder coated handle for easy opening and closing of the gate

TIP

- Save time and order the all-in-one **N-LINE-MAG-KIT**
- Add access control to your gate with the strong, frost-free and watertight **SLIMSTONE-2** keypad (IP68)
- Make your gate self-closing with the aesthetic **MAMMOTH** gate closer



Electromagnetic lock with handles

✓ GUARANTEED PERFORMANCE

✓ COMFORTABLE

✓ WEATHERPROOF

✓ DURABLE

✓ TESTED & APPROVED



NEW Surface mounted magnetic lock with integrated handles
MAG-



Screw-on electromagnetic lock for access control. Available in 2 versions. MAG3000 with 300 kg and MAG6000 with 600 kg pulling force. The aluminium powder coated housing with integrated design handles gives your access control gate that extra touch. Stop losing precious time with welding boxes; drilling 7 holes does the job. The Quick-Fix enables a fast and strong fixing. A two layer, protective coating guarantees that our electromagnetic locks are ready for years of worry-free use outside.



Color options

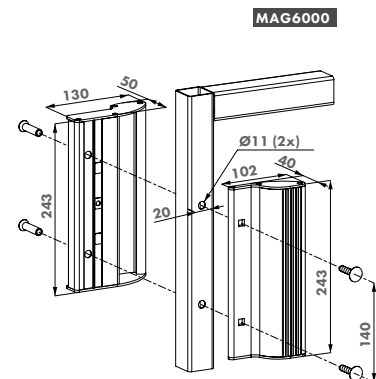
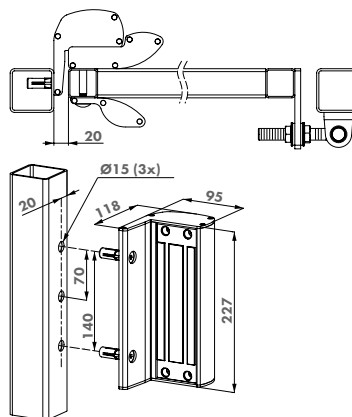
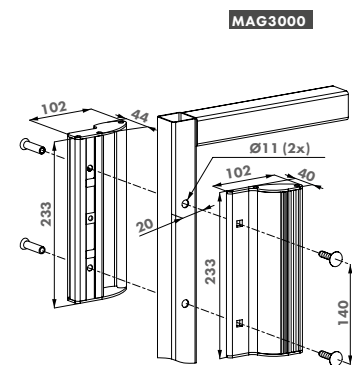
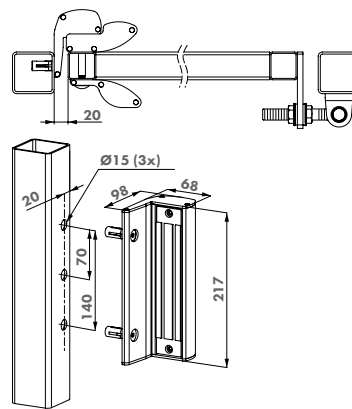
ZILV 9005

Specifications

- ✔ 500h salt spray resistant! SGS certified (ISO 9227)
- ✔ Guaranteed holding force tested on every magnetic lock
- ✔ Fast and easy fixing by means of 5 holes with Quick-Fix
- ✔ Powder coated aluminium housing
- ✔ Anti-residual magnetism kick-off system
- ✔ Raised edge on the magnet housing makes it impossible to put a crowbar between the magnet and the armature plate
- ✔ Voltage: 12V / 24V DC
- ✔ Current MAG3000: 500 mA / 12 V or 250 mA / 24 V
- ✔ Current MAG6000: 460 mA / 12 V or 230 mA / 24 V

Order codes

- MAG-3000** For square posts and gate profiles of 40 mm to 80 mm, 300 kg pulling force
- MAG-6000** For square posts and gate profiles of 40 mm to 80 mm, 600 kg pulling force



Recommended products



N-LINE-MAG-3000
P. 39



PB-1
P. 44



DVK-HD
P. 45



DC-POWER-24V-25W
P. 46

Surface mounted electromagnetic lock without integrated handles

MAGMAG-



Screw-on magnetic lock without handle. Available in 2 versions. MAGMAG3000 with 300 kg and MAGMAG6000 with 600 kg of pulling force. The aluminium powder coated housing equipped with the unique Quick-Fix fixations ensures a fast and nicely finished mounting. Eliminate time-consuming welding; drilling 5 holes is enough to fix the lock. A two layer, protective coating guarantees that our electromagnetic locks are ready for years of worry free use outside.



Color options

ZILV 6005 9005

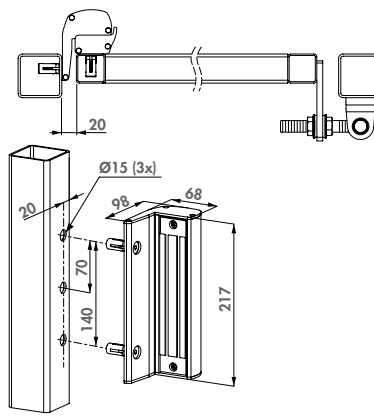
Specifications

- ✔ 500h salt spray resistant! SGS certified (ISO 9227)
- ✔ Guaranteed holding force tested on every magnetic lock
- ✔ Special two-layer protective coating developed for outdoor use
- ✔ Powder coated aluminium housing
- ✔ Anti-residual magnetism kick-off system
- ✔ Raised edge on the magnet housing makes it impossible to put a crowbar between the magnet and the armature plate
- ✔ Current MAGMAG3000: 500 mA / 12 V or 250 mA / 24 V
- ✔ Current MAGMAG6000: 460 mA / 12 V or 230 mA / 24 V
- ✔ Voltage: 12V / 24V DC

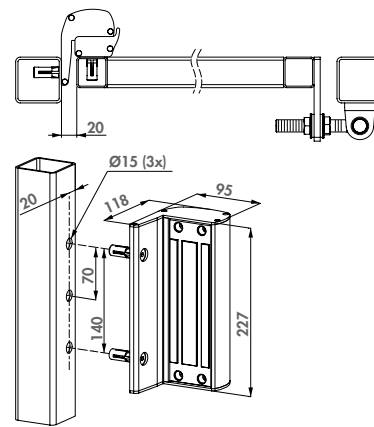
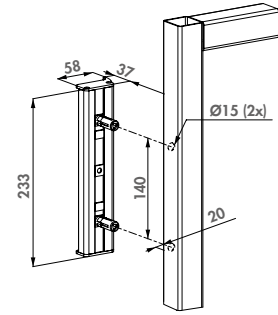
Order codes

MAGMAG-3000 For square posts and gate profiles of 40 mm to 80 mm, 300 kg pulling force

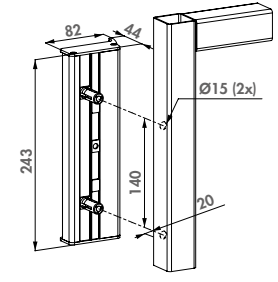
MAGMAG-6000 For square posts and gate profiles of 40 mm to 80 mm, 600 kg pulling force



MAGMAG3000



MAGMAG6000



Recommended products



N-LINE-MAG-3000
P. 39



PB-1
P. 44



DVK-HD
P. 45



DC-POWER-24V-25W
P. 46

Profile for MAG3000 and MAGMAG3000 magnetic locks

N-LINE MAG-

Adjustable, powder coated aluminium design profile for aesthetic closing of the gaps between MAG3000 or MAGMAG3000 magnetic locks. To be fixed to the post. Prevents passersby to bump into the protruding parts of the magnetic lock.

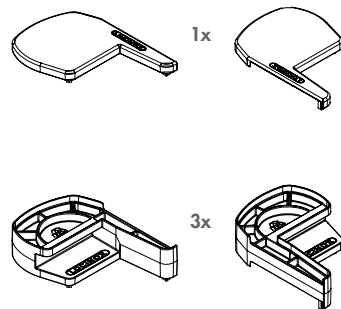
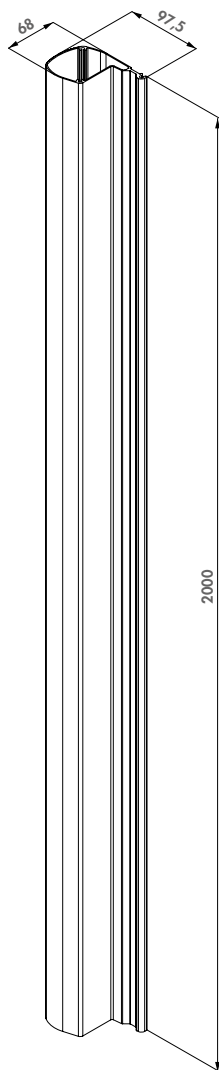


Color options

ZILV 9005

Specifications

- ✔ Profile length of 2 m
- ✔ Delivered with self drilling screws, compatible with Quick-Fix
- ✔ 2 plastic cover caps and 6 in between caps included
- ✔ Separate adaptor needed with 3006PULL, delivered with 3006PULL



Order code

N-LINE-MAG-3000 Aluminum finishing profile for MAG3000 & MAGMAG3000



Recommended magnetic locks



MAG-3000
P. 37

MAGMAG-3000
P. 38



Set with N-LINE MAG profile, MAGMAG3000

N-LINE MAG KIT-3000

Set with N-LINE MAG profile and 2x MAGMAG3000 and 3006PULL handle. 3006PULL handle is included to finish your gate. Aesthetic solution which prevents passersby to bump into the magnetic lock parts.

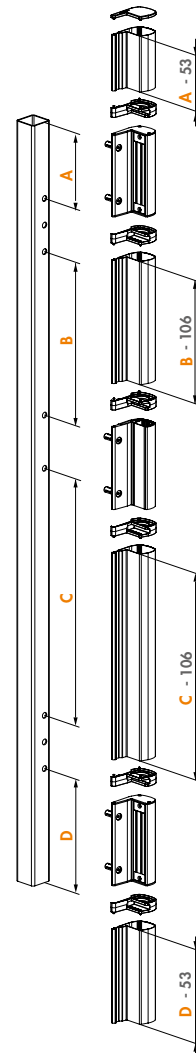
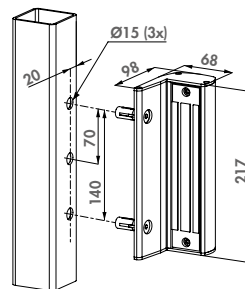
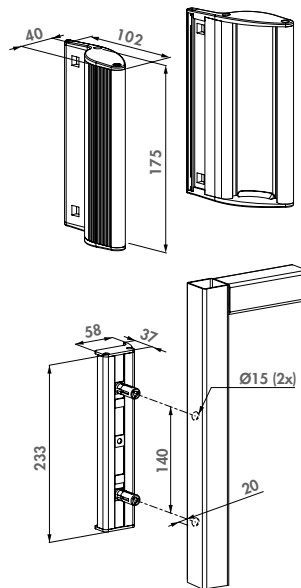


Color options

ZILV 9005

Specifications

- ✔ Adjustable aluminium design profile to mount above, below and in between the magnets
- ✔ Profile length of 2 m
- ✔ Delivered with self drilling screws, compatible with Quick-Fix
- ✔ 2 plastic cover caps and 6 in between caps included
- ✔ Aluminium 3006PULL handle included
- ✔ Delivered with 2x MAGMAG3000
- ✔ Voltage: 12V / 24V DC
- ✔ Current: 500mA / 12V or 360mA / 24V



Order code

N-LINE MAG KIT-3000

Set with N-LINE MAG profile and 2x MAGMAG3000 and 3006PULL handle



Kit includes



N-LINE-MAG-3000
P. 39



MAGMAG-3000
P. 38



3006PULL
P. 168



Design LED-lighting for fences & gates

TRICONE

Plug & Play design led lighting for your fences & gates. Gives your gate an aesthetical look with minimal power consumption! The Quick-Fix provides a fast and strong fixing on your fencing.

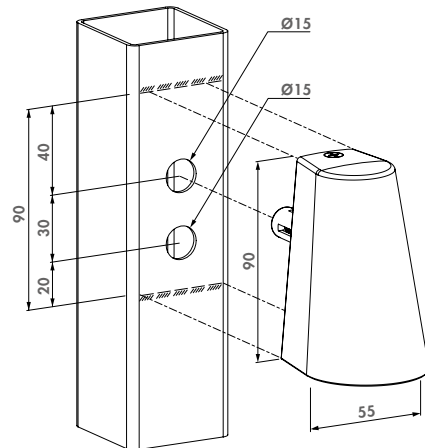


Color options

ZILV 9005

Specifications

- ✔ Easy mounting with Quick-Fix
- ✔ Aluminium housing with plastic (POM) cable guiding
- ✔ 3 white High-Flux led Lights
- ✔ ± 140° beam angle
- ✔ Life expectancy: 50.000 hours
- ✔ 300 lux (illuminance)
- ✔ Power: ± 1W (with 12V DC)
- ✔ 12V AC or DC (max. 18V DC or peak AC)
- ✔ Minimum power consumption and long lasting performance
- ✔ Resin encapsulated print circuit board for maximum weather resistance
- ✔ Power up to 20 Tricone with 1 Locinox AC transformer or up to 15 with the DC power
- ✔ IP54



Order code

TRICONE Design led-lighting for gates with Quick-Fix



Cable guiding



DVK-HD
P. 45



DVK
P. 44



2005
P. 45



PB-1
P. 44

Recommended power supplies



AC-TRANS-12V-25W
P. 45



DC-POWER-12V-20W
P. 46



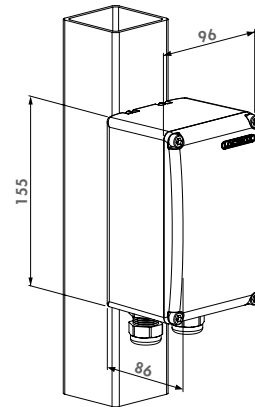
DC-ACCESS-12V-20W
P. 46



Powerbox - Transformer housing

PB-1

Aluminium powder coated transformer box with Quick-Fix for strong and easy fixing. IP66



Housing color options

ZILV 9005

Specifications

- ✔ Waterproof transformer box - IP66
- ✔ Aluminium powder coated
- ✔ DIN-rail included: 86 mm (5 units)
- ✔ Supplied with 2 gland nuts M20 and 2 stop plugs M16
- ✔ Designed with heat-dissipation fins at the back

Housing for power supplies and timer



SWITCHSTONE-STD-
P. 28



DC-ACCESS-12V-20W
P. 46



DC-POWER-12V-20W
P. 46



DC-POWER-24V-25W
P. 46

Order code

PB-1 Transformer housing with DIN-rail and Quick-Fix fixing



Guiding cable

DVK

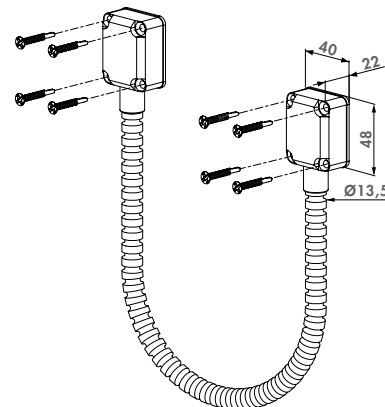
Stainless steel guiding cable to protect your electrical wires in an outside environment.

Color options

ZILV

Specifications

- ✔ Stainless steel guiding cable for electrical wire
- ✔ Length of the cable: 450 mm
- ✔ Supplied with 8 self tapping screws
- ✔ Inner diameter: $\varnothing 10$ mm



Recommended cable



Order code

DVK Stainless steel guiding cable 450 mm

2005
P. 45



Reinforced, braided stainless steel guiding cable

DVK-HD

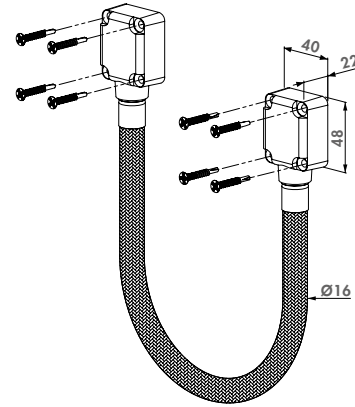
Aesthetic and durable solution for the guidance of electrical wiring. Protects your wiring against dirt, moist and vandalism in an outside environment. The cable wraps around and protects the cabling of your electrical gate hardware and avoids the risk of short circuiting.

Color options

ZILV

Specifications

- ✔ Vandal-proof, stainless steel, braided guiding cable
- ✔ Available with 450 or 650 mm braided cable
- ✔ Protects electrical wiring against vandalism, moist, dirt and vermin
- ✔ Strong fixation by means of 8 self-tapping stainless steel screws
- ✔ Cable entry: aluminium housing
- ✔ Inner diameter: Ø9 mm



Recommended products



POWERSTONE-
P. 46

Order codes

DVK-HD-450 Reinforced stainless steel guiding cable 450 mm

DVK-HD-650 Reinforced stainless steel guiding cable 650 mm



Electrical wire

2005

Electrical cable; very flexible and weatherproof.

Specifications

- ✔ Length of the wire: 5 m
- ✔ 2 x 0,75 mm²
- ✔ Water resistant & weatherproof
- ✔ Tested at 500.000 bendings
- ✔ Kink resistant

Order code

2005 Electrical cable 5 m - 2 x 0,75 mm²



Safety transformer 12V AC

AC-TRANS-12V-25W

Safety Transformer 12V AC

Specifications

- ✔ Mounting on DIN-rail or directly
- ✔ Power: 25W
- ✔ Primary voltage: 230V AC - Secondary voltage 12V AC
- ✔ Aluminium housing
- ✔ Robust control module: encapsulated for superior humidity resistance

Order code

AC-TRANS-12V-25W Transformer 12V AC - 25W



NEW 60W power supply

POWERSTONE-

High-quality 60W switching-mode power supply, specifically designed to power Locinox devices. Plug & Play installation guaranteed and integrated overload indicator.

Specifications

- ✔ Input: 110-240 VAC, 50-60Hz, 1.2A maximum
- ✔ Output: +24V DC, 2.5A maximum, 60W
- ✔ Resettable overload indicator
- ✔ Auxiliary 24V AC output available

Order code

POWERSTONE-24V-60W 60W power supply



All-in one 12V DC Access Module with integrated timer

DC-ACCESS-12V-20W

All-in-one, Plug & Play Access Module (220V AC input). Including power supply and integrated timer with easy to read display and easy to operate: time range (1 to 99s) of switched state controlled by push buttons. A 12V DC Fail Open or Fail Close device can be easily connected to the module.

Specifications

- ✔ Mounting on DIN-rail or directly
- ✔ Time range (1 to 99s) of switched state controlled by push buttons
- ✔ Set time clearly visible on display
- ✔ Robust control module: encapsulated for superior humidity resistance
- ✔ Input voltage: 220V AC / Maximum output power: 25W

Order code

DC-ACCESS-12V-20W All-in one 12V DC Access Module with integrated timer



Safety power supply 12V and 13V DC

DC-POWER-12V-20W

Safety power supply 12V / 13V DC - 20W

Specifications

- ✔ Mounting on DIN-rail or directly
- ✔ Power: 20W
- ✔ Primary voltage: 230V
- ✔ Secondary voltage: 12V AC
- ✔ Robust control module: encapsulated for superior humidity resistance

Order code

DC-POWER-12V-20W Power supply 12 V DC - 20 W



Safety power supply 24V and 25V DC

DC-POWER-24V-25W

Safety power supply 24V / 25V DC - 25W

Specifications

- ✔ Mounting on DIN-rail or directly
- ✔ Power: 25W
- ✔ Primary voltage: 230V
- ✔ Secondary voltage: 24V and 25V DC
- ✔ Robust control module: encapsulated for superior humidity resistance

Order code

DC-POWER-24V-25W Power supply 24-25V DC - 25W



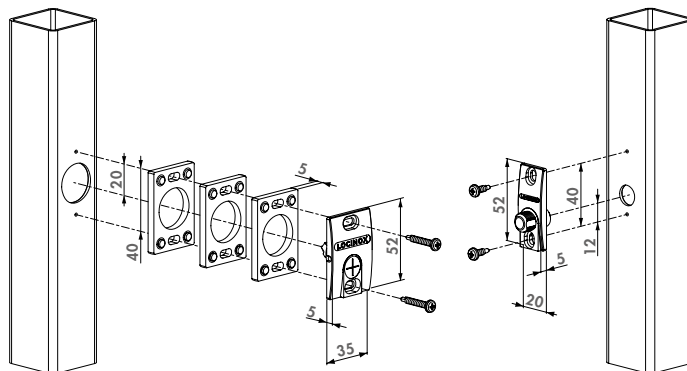
Position detection set for gates - stand alone

GATESWITCH

Multi-purpose position detection set, consisting out of a magnet and magnetic switch. This set can be easily connected to any electrical system like your access control or burglary system. The distance between the magnets can be easily changed by means of an adjustable magnet and included filler plates.

Specifications

- ✔ Possibility to activate led light when the sensor detects the magnet (requires 12V DC at the gate)
- ✔ Operates with Normally Open (N/O) or Normally Closed (N/C) contacts
- ✔ Required distance between the gate and the post is minimum 10 mm and maximum 50 mm
- ✔ Easy adjustment of distance between sensor and magnet by means of filling plates (fillers) and screwable magnet



Recommended power supplies



DC-POWER-12V-20W
P. 46



DC-ACCESS-12V-20W
P. 46

Order code

GATESWITCH For gate situations with a min. gap of 10 mm and max. 50 mm between post and gate





Turnstiles

The Locinox (electro)mechanical control unit allows you to easily create a maintenance free and high quality turnstile. You have an (electro)mechanical unit at your disposal with which you can match the design of your turnstile to the design of your fencing!

50 Turnitec

51 Access control modules



Modular (electro)mechanical control unit for turnstiles

TURNITEC (Patented)



The Locinox (electro)mechanical control unit (3-arm 120° or 4-arm 90°) allows you to easily create a maintenance free and high quality turnstile. You can match the design of your turnstile to the design of your fencing! The Turnitec mechanism is applicable to any turnstile and a quick installation is guaranteed. Thanks to the 100% modular design you can adapt the mechanism to your customers' desires. A comfortable and safe operation is guaranteed by the optional damping system that is unaffected by temperature changes.

Compatible Turnitec modules



TT-BM3S
P. 51



TT-BSP
P. 51



TT-DM3
P. 51



TT-FO2
P. 52



TT-FC2
P. 52



TT-MM3S
P. 52



TT-SAH
P. 52



TT-PIVOT
P. 52



TT-CL2
P. 51

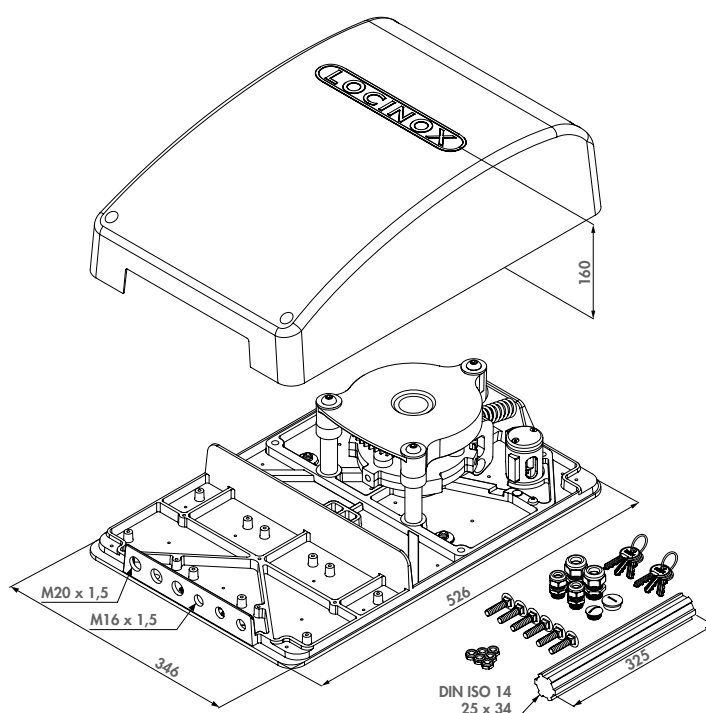
Specifications

- ✓ 100% modular system: composition according customers' desires and expandable at any moment
- ✓ Available for 3-arm (120°) and 4-arm (90°) turnstile
- ✓ Optional interchangeable left/right mechanical or electromechanical modules (Fail Open or Fail Close)
- ✓ Automatic return to starting position (by means of industrial pressure springs) after every passage
- ✓ Anti-passback security (locking after a 60° or 45° rotation): prevents the simultaneous passing of 2 persons
- ✓ Very robust implementation and strong connection with the turnstile by a 34 mm diameter spline axle (length 325 mm)
- ✓ Manufactured completely in rust-proof parts (stainless steel and aluminium)
- ✓ Optional damping system guarantees smooth and gradual movements. Damping is continuous and unaffected by temperature changes (patented system)
- ✓ Possible to set signal duration
- ✓ IP55 housing protects the mechanism against water, dirt, wind, dust and vermin

Order code

TTEC-BMS-FO2-FC2-DM-CL2

Full option Turnitec, Base mechanism + 1 Fail Open module + 1 Fail Close module + Hydraulic damper + 1 Counter & Light module





Order code

TT-BM3S Base mechanism 3-arm 550 x 350 x 170 mm

TURNITEC base mechanism for 3-arm turnstile

TT-BM3S

With the TURNITEC base mechanism you can bi-directionally operate your turnstile free-turning. This 3-arm (120°) mechanism can be modularly expanded with the mechanical and electromechanical locking modules and a hydraulic damper to further finetune the access control and usability of your turnstile.



Order code

TT-DM3 Hydraulic damping module for TT-BM3

Hydraulic damper for TURNITEC for 3-arm turnstile

TT-DM3 (Patented)

Unique hydraulic damper for your TURNITEC mechanism. The first half of the rotation is undamped and the second half is damped progressively thanks to the continuous damping of the mechanism. This results in a fluent motion of the turnstile and avoids the turnstile hitting the users heels.



Order code

TT-SM4S Base mechanism 4-arm 550 x 350 x 170 mm

TURNITEC base mechanism for 4-arm turnstile

TT-SM4S

With the TURNITEC base mechanism you can bi-directionally operate your turnstile free-turning. This 4-arm turnstile (90°) mechanism can be modularly expanded with the mechanical and electromechanical locking modules and a hydraulic damper to further fine-tune the access control and usability of your turnstile.



Order code

TT-SDM4 Hydraulic damping module for TT-SM4S

Hydraulic damper for TURNITEC for 4-arm turnstile

TT-SDM4 (Patented)

Unique hydraulic damper for your TURNITEC mechanism. The first half of the rotation is undamped and the second half is damped progressively thanks to the continuous damping of the mechanism. This results in a fluent motion of the turnstile and avoids the turnstile hitting the users heels.



Order code

TT-CL2 Turnitec counter & passing lights module

Counter & passing light signals module for TURNITEC

TT-CL2

Plug&Play module which enables connecting counters and passing light signals in both turning directions. A counter tells you how many people are on the terrain or how many rotations your turnstile made, while passing light signals guarantee a swift, safe and correct use of the turnstile.



Order code

TT-BSP Black steel welding plate 530 x 350 x 5 mm

TURNITEC welding plate in black steel

TT-BSP

Welding plate for TURNITEC mechanism for a flawless installation of the TURNITEC on any turnstile. The punched drilling pattern and cut-outs for the cylinders ensure a fast and error-free installation.



Fail Open electromodule for TURNITEC

TT-FO2

With the electromechanical module an operator has the ability to control incoming and outgoing traffic. Granting access or closing the system, changing the rotational direction and executing access control, all can be managed easily with the TURNITEC module.

Order code

TT-FO2 Fail-Open access control electromodule



Fail Close electromodule for TURNITEC

TT-FC2

With the electromechanical module an operator has the ability to control incoming and outgoing traffic (granting access, changing the rotational direction and executing access control). After authorisation the turnstile is unlocked electronically and visitors have access to the terrain.

Order code

TT-FC2 Fail-Close access control electromodule



Mechanical module for TURNITEC

TT-MM3S

This module for the TURNITEC mechanism offers the advantage of working completely mechanical. No power supply or cabling is needed. The release and locking of a direction of rotation is easy to set with a Europrofile cylinder lock. People can enter the terrain by pushing the turnstile arm.

Order code

TT-MM3S Mechanical access control module



Hub for seamless connection with turnstile

TT-SAH

Hub for seamless connection of the Turnitec base mechanism with the spline axle and the turnstile.

Order code

TT-SAH Hub for seamless connection with turnstile



Lower bearing and flange assembly for turnstiles

TT-PIVOT

Stainless steel bearing in a 17 mm thick aluminium baseplate. With bearings for a guaranteed smooth operation. Available with ball bearing or tapered roller bearing.

Order codes

TT-PIVOT-BB Lower ball bearing and flange assembly for full height turnstiles

TT-PIVOT-CC Lower tapered roller bearing and flange assembly for full height turnstiles



(ELECTRO)MECHANICAL CONTROL UNIT FOR TURNSTILES

THE COMPLETE TURNITEC SOLUTION

- 1 TT-BM3S 120° / TT-SM4S 90°** p. 51
The essential module for any turnstile

- 2 TT-DM3 120° / TT-SDM4 90°** p. 51
Recommended hydraulic damping mechanism for extra user comfort

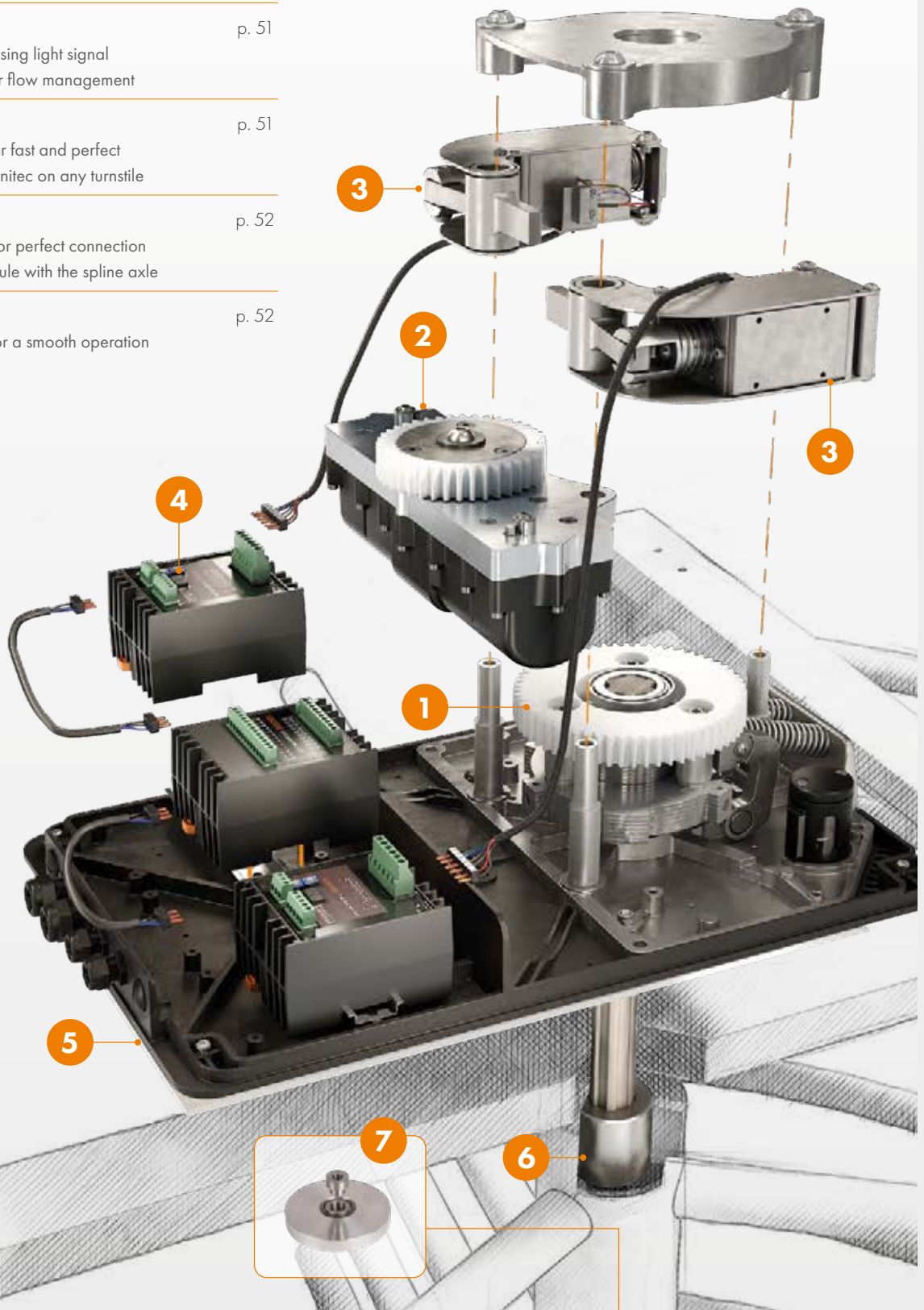
- 3 TT-FO2 / TT-FC2** p. 52
Fail Open or Fail Close electromechanical module for access control

- 4 TT-CL2** p. 51
Counter and passing light signal module for visitor flow management

- 5 TT-BSP** p. 51
Welding plate for fast and perfect installation of Turnitec on any turnstile

- 6 TT-SAH** p. 52
Recommended for perfect connection of the basic module with the spline axle

- 7 TT-PIVOT** p. 52
Lower bearing for a smooth operation





Locks

Locinox locks guarantee a well operating gate. Every lock is thoroughly tested excessively in our own test center where they are exposed to the most extreme circumstances. This ensures us that our locks will work in all weather conditions. We offer a variety of locks for garden gates, industrial gates or swimming pool gates. Locinox locks - the safest solution in fence protection.

- 57** Locks for swing gates
- 73** Locks for child safety gates
- 79** Locks for sliding gates
- 82** Insert locks



i Industrial quality and modularity



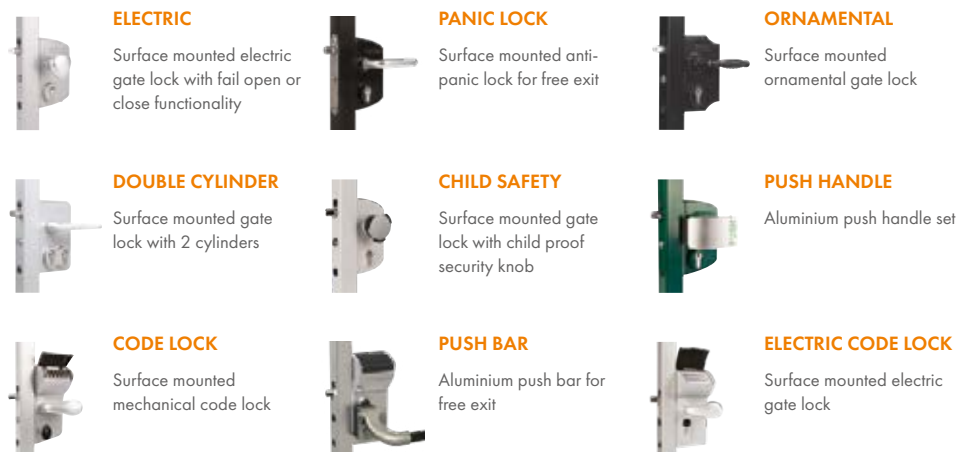
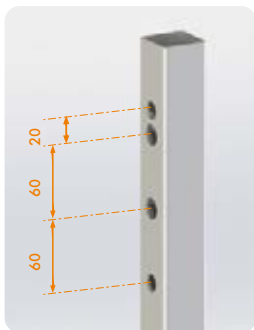
It gets even better.

Endless upgrades possible!

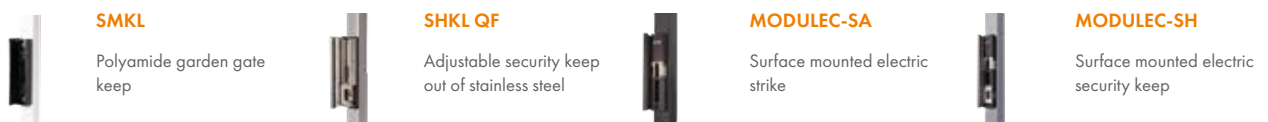
One drilling template for all our locks and keeps.

With this interchangeability, the Locinox lock gives you the opportunity to offer **a solution for every situation.**

1 easy installation method for all our locks



Compatible with many keeps





Surface mounted gate lock

LAKQ U2 (Patented)

High quality gate lock with aluminium housing and stainless steel mechanism. We advise this lock as a standard for all your industrial gates. The 20 mm continuous adjustability of the bolts allows a perfect latching / locking of the mechanism. A solid stainless steel deadbolt with a 23 mm throw guarantees a secure locking. Standard supplied with anodized aluminium handle pair. For a fast and highly precise installation, we recommend using the Drill-Fix drilling jig.

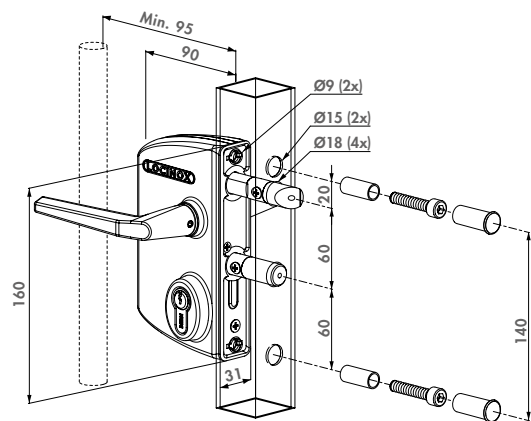


Lock box color options

ZILV 6005 6009 7016 9005 9010

Specifications

- ✓ ISO 9227 KTL / E-coated lock box withstands 1000 hours of salt spray test
- ✓ Easy left or right changing of the self-latching daybolt
- ✓ 23 mm throw of the dead bolt, in 1 turn of the key
- ✓ Key-operated self-latching bolt
- ✓ 4-hole fixing with two hexagon socket head screws
- ✓ 60 mm center distance of the bolts
- ✓ Continuous adjustment of the daybolt up to 20 mm without dismounting the lock box
- ✓ Stainless steel mechanism



Recommended keeps



SAKL QF
P. 97



SHKL QF
P. 97



MODULEC-SA
P. 95

Order codes

For square profiles

LAKQ3030 U2L Adjustable from 30 mm to 50 mm

LAKQ4040 U2L Adjustable from 40 mm to 60 mm

LAKQ6060 U2L Adjustable from 60 mm to 80 mm

For round profiles

LARQ3030 U2L Adjustable from 30 mm to 50 mm

LARQ4040 U2L Adjustable from 40 mm to 60 mm

LARQ6060 U2L Adjustable from 60 mm to 80 mm

For flat profiles

LAPQ1010 U2L Adjustable from 10 mm to 30 mm



Recommended handles



3006B
P. 171



3006I
P. 171



3006D
P. 171



KIDLOC
P. 167

Easy exit handles & Accessories



PUSHBAR-L
P. 169



3006PUSH
P. 168



ROLLTOP
P. 162



SHROUD-LA
P. 177



Surface mounted gate lock for Swiss profile cylinder

LAKQ U3 (Patented)

High grade gate lock with aluminium housing and stainless steel mechanism. This lock is delivered without a cylinder and is suitable for use with a Ø22 mm cylinder (Swiss profile cylinder). The 20 mm continuous adjustability of the bolts allows a perfect latching / locking of the mechanism. A solid stainless steel deadbolt with a 23 mm throw guarantees a secure locking. Standard supplied with anodized aluminium handle pair. For a fast and highly precise installation, we recommend using the Drill-Fix drilling jig.

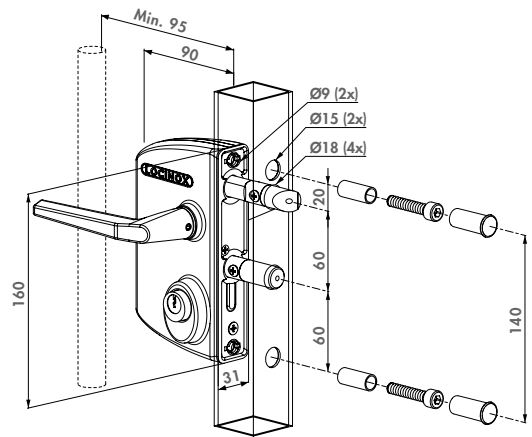


Lock box color options

ZILV 6005 6009 7016 9005 9010

Specifications

- ✓ ISO 9227 KTL / E-coated lock box withstands 1000 hours of salt spray test
- ✓ Easy left or right changing of the self-latching daybolt
- ✓ Lock box for Swiss profile cylinder (Ø22 mm)
- ✓ 23 mm throw of the dead bolt, in 1 turn of the key
- ✓ Key-operated self-latching bolt
- ✓ 4-hole fixing with two hexagon socket head screws
- ✓ 60 mm center distance of the bolts
- ✓ Continuous adjustment of the daybolt up to 20 mm without dismantling the lock box
- ✓ Stainless steel mechanism



Recommended keeps



SHKL QF
P. 97



SAKL QF
P. 97



MODULEC-SA
P. 95

Order codes

For square profiles

LAKQ3030 U3L Adjustable from 30 mm to 50 mm

LAKQ4040 U3L Adjustable from 40 mm to 60 mm

LAKQ6060 U3L Adjustable from 60 mm to 80 mm

For round profiles

LARQ3030 U3L Adjustable from 30 mm to 50 mm

LARQ4040 U3L Adjustable from 40 mm to 60 mm

LARQ6060 U3L Adjustable from 60 mm to 80 mm

For flat profiles

LAPQ1010 U3L Adjustable from 10 mm to 30 mm



Recommended handles



3006M
P. 170



3006I
P. 171



3006B
P. 171



3006R
P. 172

Easy exit handles & Accessories



PUSHBAR-L-
P. 169



3006PUSH
P. 168



SHROUD-LA-
P. 177



DRILL-FIX
P. 159



Surface mounted US Mortise cylinder gate lock (USA)

LUKY J5 (Patented)

Excellent gate lock with aluminum housing and stainless steel mechanism. Developed specifically to use with a standard 29 mm mortise cylinder. Comes standard with 5pin keyed alike or keyed different (drilled 6pin). The latch and dead bolt have 10 mm continuous adjustment to allow perfect alignment of the locking mechanism. A stainless steel throw of 23 mm guarantees secure locking. For a fast and highly precise installation, we recommend using the Drill-Fix drilling jig.

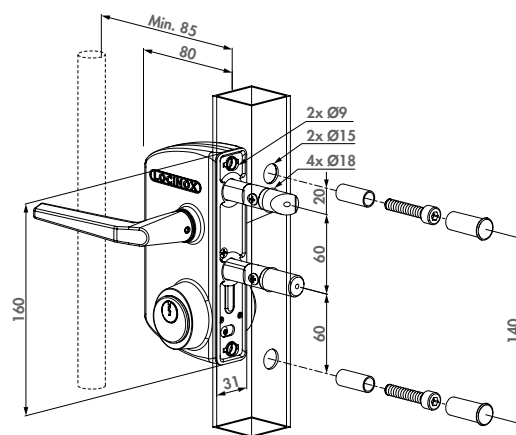


Lock box color options

ZILV 9005

Specifications

- ✔ ISO 9227 KTL / E-coated lock box withstands 1000 hours of salt spray test
- ✔ Lock for 1-1/8' length Mortise profile cylinder (Schlage Keyway & Adams Rite Cam)
- ✔ Fixing cylinder inch thread 8/32'
- ✔ Easy left or right changing of the self-latching daybolt
- ✔ 23 mm throw of the dead bolt, in 1 turn of the key
- ✔ Key-operated self-latching bolt
- ✔ Continuous adjustment of 10 mm for the bolts without removing the lock
- ✔ 4-hole fixing with two hexagon socket head screws
- ✔ Interchangeable with all Locinox locks
- ✔ 80 mm lock box width



Recommended keeps



SHKL QF
P. 97



SAKL QF
P. 97



MODULEC-SA
P. 95

Order code

For square profiles

LUKY3030 J5L Adjustable from 30 mm to 40 mm

LUKY4040 J5L Adjustable from 40 mm to 50 mm

LUKY5050 J5L Adjustable from 50 mm to 60 mm

LUKY6060 J5L Adjustable from 60 mm to 70 mm

For flat profiles

LUPY1010 J5L Adjustable from 10 mm to 20 mm

LUPY2020 J5L Adjustable from 20 mm to 30 mm



Recommended handles



3006M
P. 170



3006FA
P. 171



3006B
P. 171

Accessories



ROLLTOP
P. 162



LOCITOOL LA
P. 162



MRT-118
P. 187



DRILL-FIX
P. 159



Surface mounted double cylinder gate lock for swing gates

LDKZ D1

High-quality swing gate lock with aluminium housing and stainless steel mechanism with 2 cylinders. You only need to use 1 of the cylinders in order to open or to close the lock. This lock is ideal to provide entry to third parties like firemen or waste collectors. The double locking of the solid stainless steel night bolt ensures a secure closing. For a fast and highly precise installation, we recommend using the Drill-Fix drilling jig.

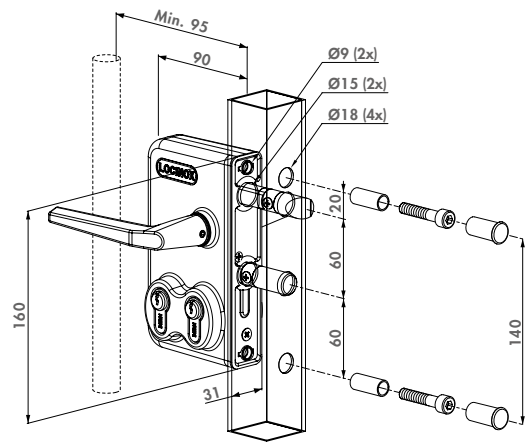


Lock box color options

ZILV 6005 7016 9005

Specifications

- ✓ ISO 9227 KTL / E-coated lock box withstands 1000 hours of salt spray test
- ✓ For gate profiles from 10 to 100 mm
- ✓ Stainless steel mechanism
- ✓ Non-adjustable day and night bolt
- ✓ Easy left or right changing of the self-latching daybolt
- ✓ Double throw of the night bolt 23 mm
- ✓ Key-operated self-latching bolt
- ✓ 4-hole fixing with two hexagon socket head screws
- ✓ Interchangeable with all Locinox locks



Recommended keeps



SAKL QF
P. 97



SHKL QF
P. 97



MODULEC-SA
P. 95

Order codes

For square profiles

LDKZ3030 D1L	For profiles of 30 mm
LDKZ4040 D1L	For profiles of 40 mm
LDKZ5050 D1L	For profiles of 50 mm
LDKZ6060 D1L	For profiles of 60 mm
LDKZ8080 D1L	For profiles of 80 mm
LDKZ100100 D1L	For profiles of 100 mm

For round profiles

LDRZ3030 D1L	For profiles of 30 mm
LDRZ4040 D1L	For profiles of 40 mm
LDRZ5050 D1L	For profiles of 50 mm
LDRZ6060 D1L	For profiles of 60 mm

For flat profiles

LDPZ1010 D1L	For profiles of 10 mm
---------------------	-----------------------



Cylinders and accessories



3012-POC-
P. 184



3071-
P. 187



DRILL-FIX
P. 159



3970LA
P. 158



Surface mounted anti-panic gate lock

LPKQ U2

Stainless steel superior anti-panic lock with aluminium housing. EN179 certified configuration possible with LPKQ U2 for 40 & 60 mm gate frames with SAKL keep, 3006A-2 handle and 3012-54-STD- cylinder. Escape or exit from inside is possible at all times by operating the handle. Mechanical access from the outside is always possible by operating the cylinder. The 20 mm continuous adjustability of the bolts allows a perfect latching / locking of the mechanism. A solid stainless steel deadbolt with a 23 mm throw guarantees a secure locking. For a fast and highly precise installation, we recommend using the Drill-Fix drilling jig.

EN 179

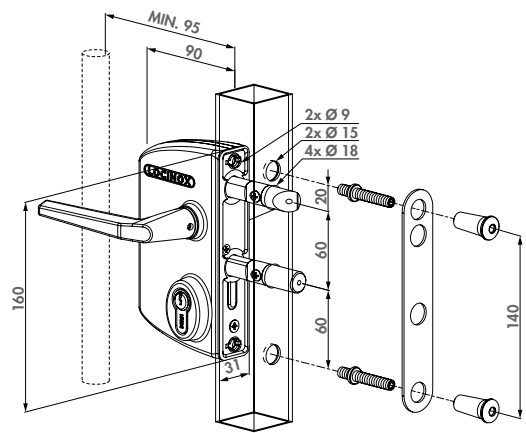


Lock box color options

ZILV 6005 6009 7016 9005 9010

Specifications

- ✓ ISO 9227 KTL / E-coated lock box withstands 1000 hours of salt spray test
- ✓ Easy left or right changing of the self-latching daybolt
- ✓ 23 mm throw of the dead bolt, in 1 turn of the key
- ✓ Key-operated self-latching bolt
- ✓ 4-hole fixing with two hexagon socket head screws
- ✓ 60 mm center distance of the bolts
- ✓ Continuous adjustment of the daybolt up to 20 mm without dismounting the lock box
- ✓ Stainless steel mechanism
- ✓ Tested up to 500.000 movements
- ✓ EN179 certified configuration available
- ✓ Panic function E / Switch function



Recommended keeps



SAKL QF
P. 97



SHKL QF
P. 97



MODULEC-SA
P. 95

Order codes

For square profiles

LPKQ4040 U2L	Adjustable from 40 mm to 60 mm
LPKQ6060 U2L	Adjustable from 60 mm to 80 mm
LPKQ8080 U2L	Adjustable from 80 mm to 100 mm
LPKQ100100 U2L	Adjustable from 100 mm to 120 mm



Recommended handles



PUSHBAR-L
P. 169



3006PUSH
P. 168



3006A-2
P. 173



SHROUD-LA-
P. 177

Accessories



ROLLTOP
P. 162



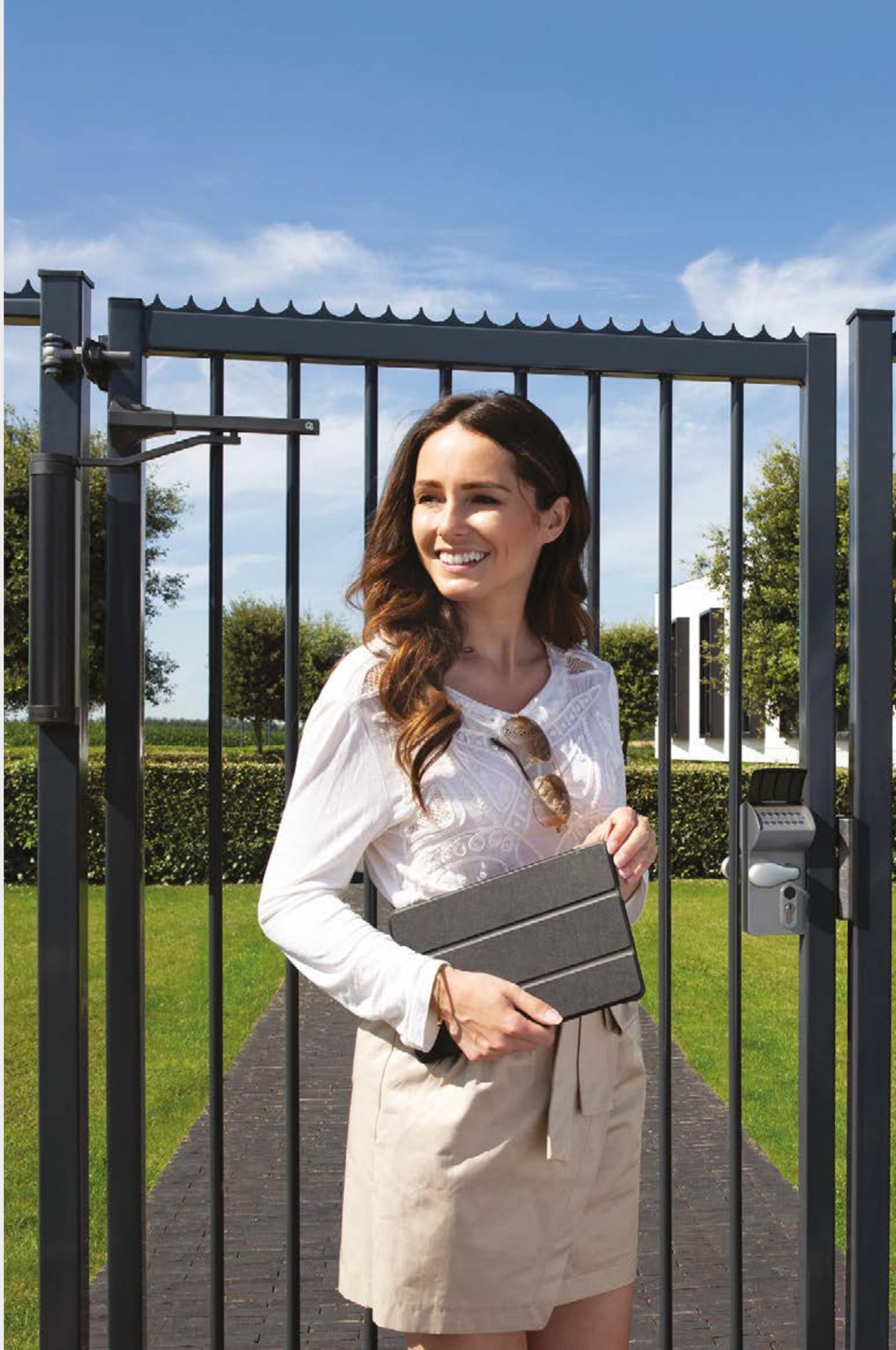
3970LA
P. 158



LOCITOOL LA
P. 162



DRILL-FIX
P. 159





NEW VALENTINO - Surface mounted battery powered code lock

LOKQ Y2

High quality battery powered electronic code lock with aluminium housing. Valentino's energy efficient design makes it very easy to equip any gate with access control, with a minimal need for maintenance. Pincodes can be easily added, modified or removed. The 20 mm continuous adjustability of the bolts allows a perfect latching / locking of the mechanism.

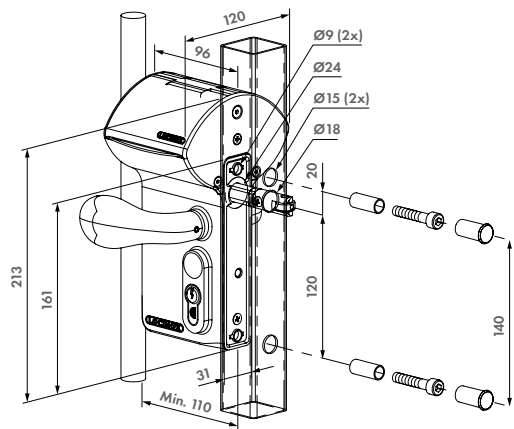


Color options

6005 7016 9005 ZILV

Specifications

- ✔ ISO 9227 KTL / E-coated lock box withstands 1000 hours of salt spray test
- ✔ Weather protected illuminated electronic code panel on both sides
- ✔ Extremely strong and vandal proof design
- ✔ Energy efficient, with up to 150,000 open/close cycles on same set of batteries
- ✔ Operates on 6 Lithium-metal AA batteries (included)
- ✔ Easy and fast set-up or modification of the access codes
- ✔ Low battery warning light
- ✔ Support for free-exit, pushbar, and code controlled handles
- ✔ Key-operated unlocking and programming functionality
- ✔ Supports permanently open codes
- ✔ Different entrance and exit codes possible



Recommended keeps



SAKL QF
P. 97



SHKL QF
P. 97

Order codes

For square profiles

LOKQ3030 Y2L Adjustable from 30 mm to 50 mm

LOKQ4040 Y2L Adjustable from 40 mm to 60 mm

LOKQ6060 Y2L Adjustable from 60 mm to 80 mm

For round profiles

LORQ3030 Y2L Adjustable from 30 mm to 50 mm

LORQ4040 Y2L Adjustable from 40 mm to 60 mm

LORQ6060 Y2L Adjustable from 60 mm to 80 mm

For flat profiles

LOPQ1010 Y2L Adjustable from 10 mm to 30 mm



Recommended handles



3006C
P. 170



3006I
P. 171



3006D
P. 171

Compatible with every gate closer



SAMSON-2
P. 20



VERTICLOSE-2
P. 24



MAMMOTH-180
P. 16



TIGER
P. 15



VINCI - Surface mounted mechanical code lock

LMKQ V2 (Patented)

High quality mechanical code lock with aluminium housing and stainless steel mechanism. The Vinci requires no batteries nor electricity, which makes it very easy to equip any gate with access control. The 20 mm continuous adjustability of the bolts allows a perfect latching / locking of the mechanism. A solid stainless steel deadbolt with a 23 mm throw guarantees a secure locking. For a fast and highly precise installation, we recommend using the Drill-Fix drilling jig.

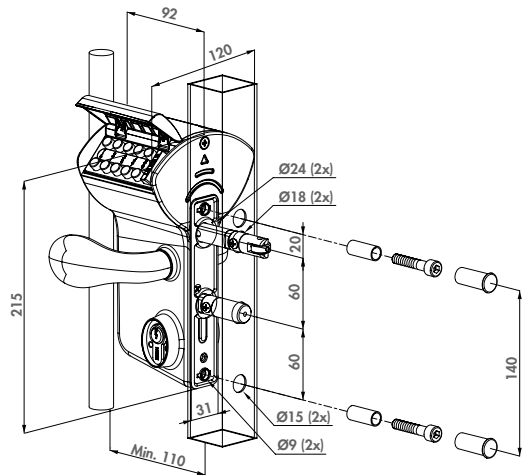


Lock box color options

ZILV 6005 7016 9005

Specifications

- ✓ ISO 9227 KTL / E-coated lock box withstands 1000 hours of salt spray test
- ✓ Mechanical code panel on both sides
- ✓ Possibility to work with different entrance and exit codes
- ✓ Polyamide rain and dust cover
- ✓ Easy and fast set-up or modification of the access codes
- ✓ With adjustable rollerbolt for easy closing
- ✓ Extremely strong and user-friendly mechanism
- ✓ Automatic code reset after pushing the handle
- ✓ Anti-code detection with integrated security press plate
- ✓ Interchangeable with all Locinox locks



Recommended keeps



SAKL QF
P. 97

SHKL QF
P. 97

Order codes

For square profiles

LMKQ3030 V2L Adjustable from 30 mm to 50 mm

LMKQ4040 V2L Adjustable from 40 mm to 60 mm

LMKQ6060 V2L Adjustable from 60 mm to 80 mm

For round profiles

LMRQ3030 V2L Adjustable from 30 mm to 50 mm

LMRQ4040 V2L Adjustable from 40 mm to 60 mm

LMRQ6060 V2L Adjustable from 60 mm to 80 mm

For flat profiles

LMPQ1010 V2L Adjustable from 10 mm to 30 mm



Recommended handles



3006C
P. 170



3006I
P. 171



3006D
P. 171

Compatible with every gate closer



SAMSON-2
P. 20



VERTICLOSE-2
P. 24



MAMMOTH-180
P. 16



TIGER
P. 15



FREE VINCI - Surface mounted mechanical code lock with secured entrance and free exit

LFKQ X1 (Patented)

Superb mechanical code lock with aluminium housing and stainless steel mechanism. The Free Vinci offers you the possibility to secure one side with a code for entrance while leaving the other side free for exit. No batteries nor electricity are required, which makes it very easy to equip any gate with access control. The 20 mm continuous adjustability of the bolt allows a perfect latching / locking of the mechanism. For ornamental and chain link gates. For a fast and highly precise installation, we recommend using the Drill-Fix drilling jig.

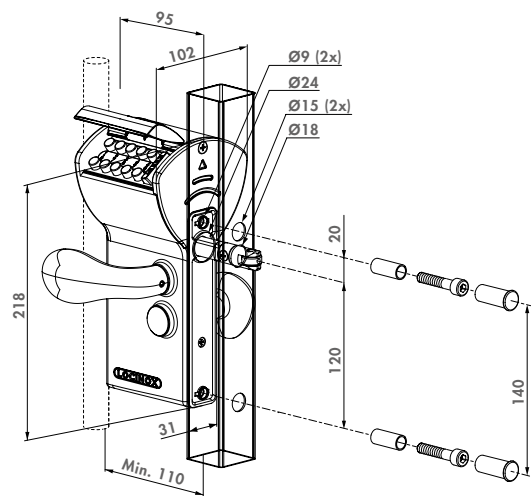


Lock box color options

ZILV 6005 9005

Specifications

- ✓ ISO 9227 KTL / E-coated lock box withstands 1000 hours of salt spray test
- ✓ Entrance secured by code, free exit
- ✓ Code panel with stainless steel push buttons on one side
- ✓ Polyamide rain and dust cover
- ✓ Easy and fast set-up or modification of the access codes
- ✓ With adjustable rollerbolt for easy closing
- ✓ Extremely strong and user-friendly mechanism
- ✓ Automatic code reset after pushing the handle
- ✓ Anti-code detection with integrated security press plate
- ✓ Interchangeable with all Locinox locks



Recommended keeps



SAKL QF
P. 97



SHKL QF
P. 97

Order codes

For square profiles

LFKQ3030 X1L Adjustable from 30 mm to 50 mm

LFKQ4040 X1L Adjustable from 40 mm to 60 mm

LFKQ6060 X1L Adjustable from 60 mm to 80 mm

For round profiles

LFRQ3030 X1L Adjustable from 30 mm to 50 mm

LFRQ4040 X1L Adjustable from 40 mm to 60 mm

LFRQ6060 X1L Adjustable from 60 mm to 80 mm

For flat profiles

LFPQ1010 X1L Adjustable from 10 mm to 30 mm



Accessories



PUSHBAR-L
P. 169



3006PUSH
P. 168



SHROUD-LF-
P. 177

i Sets

Locinox supports you in your logistic process. Select and compose your own gate hardware set and avoid stock ruptures or false deliveries of gate components to your customers. The set components are all together and, above all, packed in a robust and weatherproof box. If you wish, your logo can be put on the box for a maximal support of your brand. We will be glad to add your manuals or any other information according to your needs.



100% modular



Time-saving



No research work

Garden gate - box set



1 gate wing - foil set



2 gate wings - foil set





Surface mounted electric gate lock with Fail Open functionality

LEKQ U4 (Patented)

High quality electrical lock with aluminium housing and stainless steel mechanism. The handles are blocked when the lock is powered. The 20 mm continuous adjustability of the bolts allows a perfect latching / locking of the mechanism. A solid stainless steel deadbolt with a 23 mm throw guarantees a secure locking. For a fast and highly precise installation, we recommend using the Drill-Fix drilling jig.

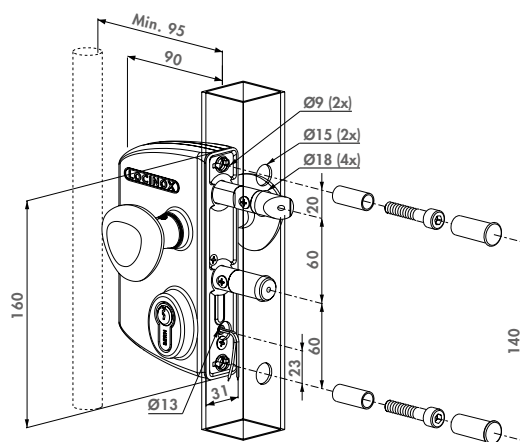


Lock box color options

ZILV 6005 6009 7016 9005 9010

Specifications

- ✔ ISO 9227 KTL / E-coated lock box withstands 1000 hours of salt spray test
- ✔ Fail Open: Lock is open when power is interrupted
- ✔ Blocking or releasing of the handles
- ✔ Easy left or right changing of the self-latching daybolt
- ✔ 23 mm throw of the dead bolt, in 1 turn of the key
- ✔ Key-operated self-latching bolt
- ✔ Continuous adjustment of the daybolt up to 20 mm without dismounting the lock box
- ✔ 4-hole fixing with two hexagon socket head screws
- ✔ Interchangeable with all Locinox locks
- ✔ Voltage: 12V AC/DC
- ✔ Current: 0,3A



Recommended keeps



SAKL QF
P. 97



SHKL QF
P. 97

Order codes

For square profiles

LEKQ3030 U4L Adjustable from 30 mm to 50 mm

LEKQ4040 U4L Adjustable from 40 mm to 60 mm

LEKQ6060 U4L Adjustable from 60 mm to 80 mm

For round profiles

LERQ3030 U4L Adjustable from 30 mm to 50 mm

LERQ4040 U4L Adjustable from 40 mm to 60 mm

LERQ6060 U4L Adjustable from 60 mm to 80 mm



Recommended handles & Cable guiding



3006R
P. 172



3006C
P. 170



DVK
P. 44



DVK-HD
P. 45

Recommended power supplies



DC-ACCESS-12V-20W
P. 46



AC-TRANS-12V-25W
P. 45



DC-POWER-12V-20W
P. 46



Locks for
swing gates



Surface mounted electric gate lock with Fail Close functionality

LIKQ U2 (Patented)

Electric gate lock made of excellent quality with aluminium housing and stainless steel mechanism. This gate lock blocks the handles when there is no power (Fail Close). The 20 mm continuous adjustability of the bolts allows a perfect latching / locking of the mechanism. A solid stainless steel deadbolt with 23 mm throw guarantees a secure closure. For a fast and highly precise installation, we recommend using the Drill-Fix drilling jig.

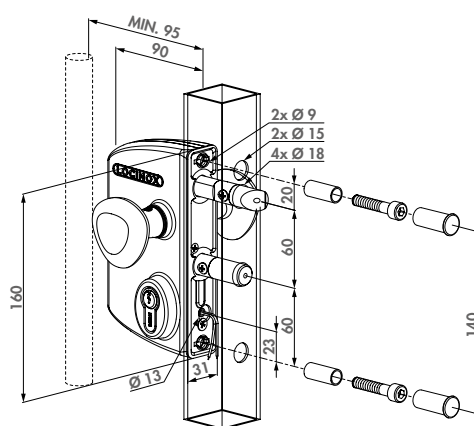


Lock box color options

ZILV 6005 6009 7016 9005 9010

Specifications

- ✔ ISO 9227 KTL / E-coated lock box withstands 1000 hours of salt spray test
- ✔ Fail Close: Lock is closed when power is interrupted
- ✔ Blocking or releasing of the handles
- ✔ Easy left or right changing
- ✔ 23 mm throw of the dead bolt, in 1 turn of the key
- ✔ Key-operated self-latching bolt
- ✔ Continuous adjustment of the daybolt up to 20 mm without dismounting the lock box
- ✔ 4-hole fixing with two hexagon socket head screws
- ✔ Voltage: 12V AC/DC
- ✔ Current: 0,3A



Recommended keeps



SAKL QF
P. 97



SHKL QF
P. 97

Order codes

For square profiles

LIKQ3030 U2L Adjustable from 30 mm to 50 mm

LIKQ4040 U2L Adjustable from 40 mm to 60 mm

LIKQ6060 U2L Adjustable from 60 mm to 80 mm

For round profiles

LIRQ3030 U2L Adjustable from 30 mm to 50 mm

LIRQ4040 U2L Adjustable from 40 mm to 60 mm

LIRQ6060 U2L Adjustable from 60 mm to 80 mm



Recommended handles & Cable guiding



3006R
P. 172



3006C
P. 170



DVK
P. 44



DVK-HD
P. 45

Recommended power supplies



DC-ACCESS-12V-20W
P. 46



AC-TRANS-12V-25W
P. 45



DC-POWER-12V-20W
P. 46



Small surface mounted ornamental gate lock

LAKY F2 (Patented)

Quality ornamental lock with aluminium housing and stainless steel mechanism. We advise this lock as a standard for all your ornamental gates. The 10 mm continuous adjustability of the bolts allows a perfect latching / locking of the mechanism. A solid stainless steel deadbolt with a 23 mm throw guarantees a secure locking. Standard supplied with zamac ornamental handle pair. For a fast and highly precise installation, we recommend using the Drill-Fix drilling jig.

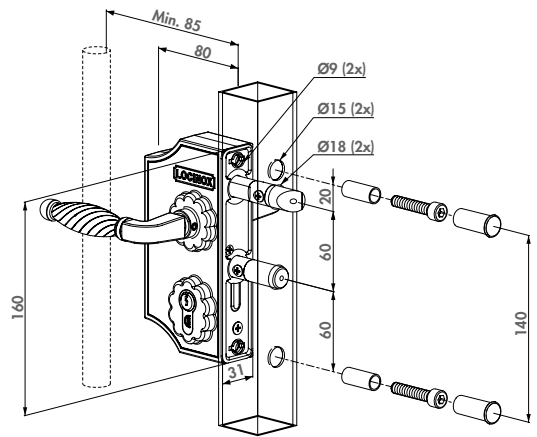


Lock box color options

ZILV 6005 6009 7016 9005 9010

Specifications

- ✓ ISO 9227 KTL / E-coated lock box withstands 1000 hours of salt spray test
- ✓ Easy left or right changing of the self-latching daybolt
- ✓ 23 mm throw of the dead bolt, in 1 turn of the key
- ✓ Continuous adjustment of 10 mm for the bolts without removing the lock
- ✓ Key-operated self-latching bolt
- ✓ 4-hole fixing with two hexagon socket head screws
- ✓ 60 mm center distance of the bolts



Recommended keeps



SPKZ QF
P. 100



SPKZ-TK
P. 100



MODULEC-SA
P. 95

Order codes

For square profiles

LAKY3030 F2L Adjustable from 30 mm to 40 mm

LAKY4040 F2L Adjustable from 40 mm to 50 mm

LAKY5050 F2L Adjustable from 50 mm to 60 mm

For round profiles

LARY3030 F2L Adjustable from 30 mm to 40 mm

LARY4040 F2L Adjustable from 40 mm to 50 mm

LARY5050 F2L Adjustable from 50 mm to 60 mm

For flat profiles

LAPY1010 F2L Adjustable from 10 mm to 20 mm



Compatible handles



3006FA
P. 171



3006I
P. 171



KIDLOC
P. 167



3006B
P. 171

Ornamental hinges



G-ORNA-LR
P. 128



G-ORNA-WP
P. 128



Large surface mounted ornamental gate lock

LAKQ H2 (Patented)

Excellent ornamental lock with aluminium housing and stainless steel mechanism. We advise this lock as a standard for all your ornamental gates. The 20 mm continuous adjustability of the bolts allows a perfect alignment of your locking mechanism. A solid stainless steel deadbolt with a 23 mm throw guarantees a secure locking. Standard supplied with zamac ornamental handle pair. For a fast and highly precise installation, we recommend using the Drill-Fix drilling caliber.

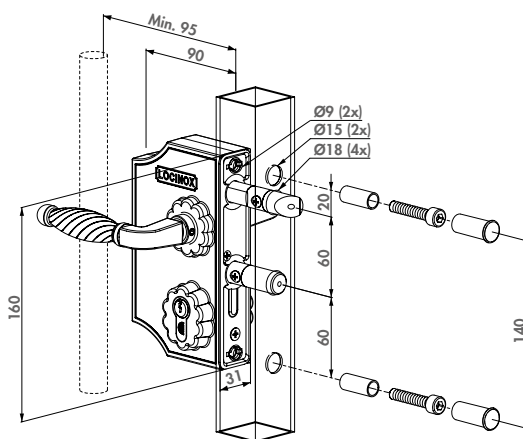


Lock box color options

ZILV 6005 6009 7016 9005 9010

Specifications

- ✓ ISO 9227 KTL / E-coated lock box withstands 1000 hours of salt spray test
- ✓ Easy left or right changing of the self-latching daybolt
- ✓ 23 mm throw of the dead bolt, in 1 turn of the key
- ✓ Continuous adjustment of the daybolt up to 20 mm without dismounting the lock box
- ✓ Key-operated self-latching bolt
- ✓ 4-hole fixing with two hexagon socket head screws
- ✓ 60 mm center distance of the bolts



Recommended keeps



SPKZ QF
P. 100



SPKZ-TK
P. 100



MODULEC-SA
P. 95

Order codes

For square profiles

LAKQ3030 H2L Adjustable from 30 mm to 50 mm

LAKQ4040 H2L Adjustable from 40 mm to 60 mm

LAKQ6060 H2L Adjustable from 60 mm to 80 mm

For round profiles

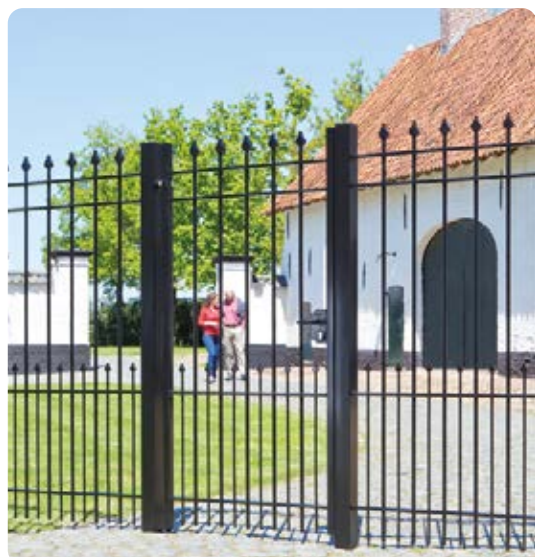
LARQ3030 H2L Adjustable from 30 mm to 50 mm

LARQ4040 H2L Adjustable from 40 mm to 60 mm

LARQ6060 H2L Adjustable from 60 mm to 80 mm

For flat profiles

LAPQ1010 H2L Adjustable from 10 mm to 30 mm



Compatible handles



3006FA
P. 171



3006D
P. 171



KIDLOC
P. 167



3006B
P. 171

Ornamental hinges



G-ORNA-LR
P. 128



G-ORNA-WP
P. 128



Surface mounted garden gate lock

LAKZ P1

Economical garden/pedestrian gate lock with polyamide housing and stainless steel mechanism. This lock is advised as a standard for all your small gates. A solid stainless steel deadbolt with a 23 mm throw guarantees a secure locking. For a fast and highly precise installation, we recommend using the Drill-Fix drilling caliber.

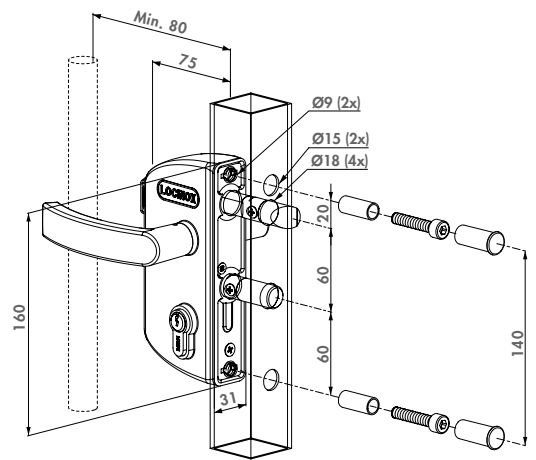


Lock box color options

6005 6009 7016 7040 9005 9010

Specifications

- ✓ Easy left or right changing of the self-latching daybolt
- ✓ 23 mm throw of the dead bolt, in 1 turn of the key
- ✓ 4-hole fixing with two hexagon socket head screws
- ✓ Polyamide lock box and handles
- ✓ 60 mm center distance of the bolts
- ✓ For 40 mm gate profiles only
- ✓ Interchangeable with all Locinox locks
- ✓ No key operation of the daybolt



Recommended keeps



SMKL QF
P. 98



SKRZ
P. 98



SAKL QF
P. 97

Order codes

For square profiles

LAKZ4040 P1L For profiles of 40 mm

For round profiles

LARZ4040 P1L For profiles of 40 mm



Recommended handles



3006P
P. 172



3006G
P. 171



KIDLOC
P. 167

Accessories



3006PC
P. 99



3970LA
P. 158



DRILL-FIX
P. 159



ROLLTOP
P. 162



Surface mounted child safety lock

LAKZ P1 WSI (Patented)

Child safety gate lock with stainless steel mechanism and polyamide housing. This lock is conform to the swimming pool safety standard NF P90-306. The child safety lock prevents little children from accessing the pool. The unique rollerbolt facilitates the closing of the gate. For a fast and highly precise installation, we recommend using the Drill-Fix drilling jig.

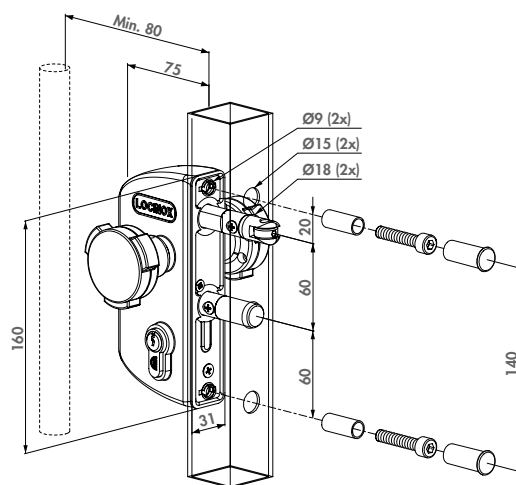


Lock box color options

6005 6009 7016 7040 9005 9010

Specifications

- ✔ Stainless steel lock mechanism
- ✔ Polyamide lock box
- ✔ With adjustable rollerbolt for easy closing
- ✔ With Kidloc: child safety handle for swimming pools
- ✔ A complete package including a high-quality stainless steel lock in combination with a security knob and a stainless steel rollerbolt conforms to swimming pool standard NF P90-306



Recommended keeps



SMKL QF
P. 98

SKRZ
P. 98

Order codes

LAKZ4i4i P1L WSI For profiles of 40 mm

LAKZ5i5i P1L WSI For profiles of 50 mm

Recommended gate closers



TIGER
P. 15

MAMMOTH-180
P. 16

LION
P. 22

SWING40
P. 136

Accessories



KIDLOC
P. 167

ROLLTOP
P. 162

3970LA
P. 158

DRILL-FIX
P. 159





NEW Sleek & sturdy child safe magnetic latch for pools & parks

FORTIMA- (Patent pending)

The FortiMa is a magnetic child-safe gate latch that ensures safety and security because the handle is physically out of the reach of a child. FortiMa's patented internal leverage allows for smooth opening and, with its unmatched magnetic force, closes securely. The anodized aluminium and powder coated components make the FortiMa extremely sturdy. Installation is easy on a wide range of gate materials and being compatible with most international code requirements, the FortiMa can be rekeyed to match any existing lock.

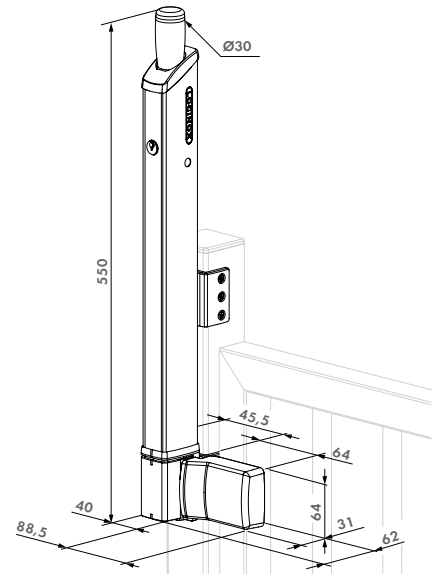


Color options

9005

Specifications

- ✔ Unique and extremely durable patented design with anodized aluminium housing
- ✔ Strongest magnetic force on the market: magnetic distance of 30 mm (2x industry standard!)
- ✔ Tested up to 2 million cycles - Limited Lifetime Warranty!
- ✔ Rekeyable to match any lock: Schlage-C Key-in-knob cylinder (5pin, drilled 6pin)
- ✔ Full vertical adjustability and 25 mm horizontal adjustability - a gap of 10 mm up to 45 mm
- ✔ Push down prevention: only opens when magnet is pulled up, adding additional security
- ✔ Perfect for metal, vinyl or wooden gates, available for round (R) and square (K) posts



Compatible cylinders



KIK-114-
P. 186

3012-54-STD
P. 185

Order codes

FORTIMA-SD-K	Child safe magnetic latch, with KIK cylinder and self-drilling screws for square posts
FORTIMA-SD-R	Child safe magnetic latch, with KIK cylinder and self-drilling screws for round posts
FORTIMA-QF	Child safe magnetic latch, with Europrofile cylinder and Quick-Fix bolts for square posts



Compatible gate closers



TIGER
P. 15



LION
P. 22



SERVAL
P. 13



SWING40
P. 136



NEW Sleek and sturdy child safe magnetic latch for pools and parks

GUARDIMA- (Patent pending)

The GuardiMa is a magnetic child-safe gate latch ensuring safety and security. GuardiMa is installed on the gate and its patented internal leverage allows for smooth opening and closing, thanks to its unmatched magnetic force. Thanks to the anodized aluminium and powder coated components, the GuardiMa adds elegance and value to your pool, park, playground or back yard. The lock is compatible with most international code requirements.

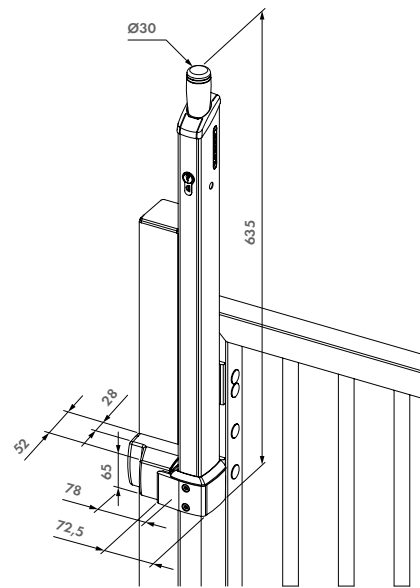


Color options

9005

Specifications

- ✔ Magnetic latch installed on the gate
- ✔ Extreme weather resistance in any climate
- ✔ Unique and extremely durable patented design with anodized aluminium housing
- ✔ Strongest magnetic force on the market: magnetic distance of 30 mm (2x industry standard!)
- ✔ Tested up to 2 million cycles
- ✔ Full 30 mm vertical adjustability and 30 mm horizontal adjustability - a gap of 15 mm up to 45 mm
- ✔ Push down prevention: only opens when magnet is pulled up, adding additional security
- ✔ Meets international standards for pool gates (always confirm with the respective authorities)



Compatible cylinders



3012-54-STD
P. 185

Order codes

GUARDIMA-FM Sleek and sturdy child safe magnetic latch for pools and parks - Flush mounted

Compatible gate closers



TIGER
P. 15



LION
P. 22



SERVAL
P. 13



SWING40
P. 136





Swimming pool gate lock

TWIST40 (Patented)

High quality swimming pool gate lock with stainless steel mechanism and black PA and powder coated aluminium housing. This lock is conform to the swimming pool safety standard NF P90-306. The Twist has a two-handling operation which prevents the access to the pool for little children. The unique rollerbolt facilitates the closing of the gate.

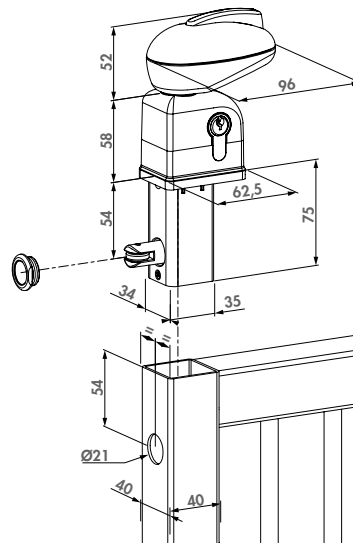


Lock box color options

9005 9010

Specifications

- ✔ Stainless steel lock mechanism
- ✔ Stainless steel rollerbolt facilitating the closing of the gate
- ✔ We strongly advise you to read the swimming pool safety standard NF P90-306 before manufacturing any swimming pool gate
- ✔ For 40 mm gate profiles only



Recommended keeps



STK QF
P. 102



STR60 QF
P. 102

Order code

TWIST40 For profiles of 40 mm



Recommended gate closers



SERVAL
P. 13



TIGER
P. 15



VERTICLOSE-2
P. 24



SWING40
P. 136

Compatible hinges



GBM12
P. 138



GBM12-DP
P. 138



GBM16-DP
P. 139





LEONARDO Mechanical code lock for sliding gates

LLKZ V2 (Patented)

Mechanical code lock for sliding gates with aluminium housing and stainless steel mechanism. Since no electricity nor batteries are required, the mechanical code lock gives you the opportunity to equip any sliding gate fast and easily with access control. The unique Twistfinger and conforming auto-correcting keep guarantees a perfect closing of your sliding gate.

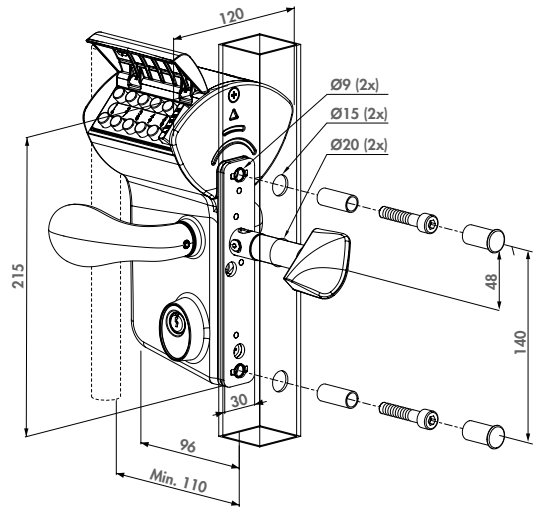


Lock box color options

ZILV 6005 6009 7016 9005

Specifications

- ✔ 100% mechanical: no battery nor electricity required
- ✔ Adjustable for horizontal or vertical mounting of the keep (catch bolt)
- ✔ Mechanical code panel on both sides
- ✔ Possibility to work with different entrance and exit codes
- ✔ Equipped with dust and rain covers
- ✔ Easy and fast set-up or modification of the access codes
- ✔ Possibility of setting up 4 to 6 digit codes
- ✔ Extremely strong and user-friendly mechanism
- ✔ Automatic code reset after pushing the handle
- ✔ Anti-code detection with integrated security press plate
- ✔ Stainless steel collar around the Twistfinger prevents cutting through the Twistfinger (catchbolt)



Recommended keep and adapter case



SSKZ QF
P. 101



O-SET
P. 101

Order codes

For square profiles

LLKZ4040 V2L	For profiles of 40 mm
LLKZ5050 V2L	For profiles of 50 mm
LLKZ6060 V2L	For profiles of 60 mm
LLKZ8080 V2L	For profiles of 80 mm
LLKZ100100 V2L	For profiles of 100 mm
LLKZ120120 V2L	For profiles of 120 mm

For round profiles

LLRZ4040 V2L	For profiles of 40 mm
LLRZ5050 V2L	For profiles of 50 mm
LLRZ6060 V2L	For profiles of 60 mm
LLRZ8080 V2L	For profiles of 80 mm
LLRZ100100 V2L	For profiles of 100 mm
LLRZ120120 V2L	For profiles of 120 mm



Recommended accessories



3970LS
P. 158



DRILLØ15
P. 158



LOCITOOL LA
P. 162



Surface mounted sliding gate lock

LSKZ U2 (Patented)

First-grade lock for manual sliding gates with aluminium housing and stainless steel mechanism. The unique Twistfinger and conforming self-correcting keep guarantees a perfect closing of your sliding gate. For a fast and highly precise installation, we recommend using the Drill-Fix drilling jig.

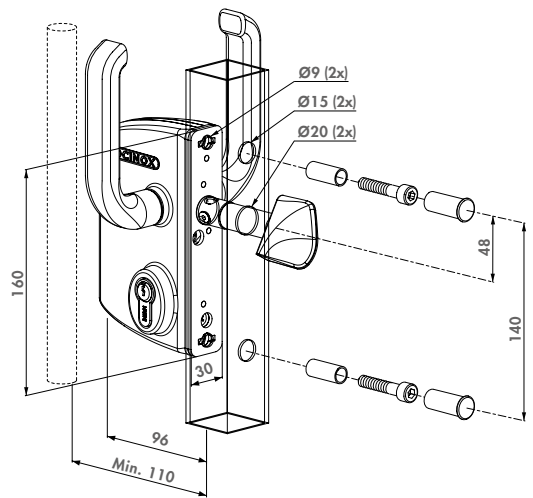


Lock box color options

ZILV 6005 6009 7016 9005 9010

Specifications

- ✓ ISO 9227 KTL / E-coated lock box withstands 1000 hours of salt spray test
- ✓ Mechanism and Twistfinger in stainless steel
- ✓ Adjustable for horizontal or vertical mounting of the keep (catch bolt)
- ✓ Fixing with 2 hexagon socket head screws
- ✓ Innovative closing system
- ✓ Stainless steel collar around the Twistfinger prevents cutting through the Twistfinger (catchbolt)
- ✓ Standard with reinforced aluminium handle pair
- ✓ 3006S: Square 10 mm follower



Recommended keep and adapter case



SSKZ QF
P. 101



O-SET
P. 101

Order codes

For square profiles

LSKZ4040 U2L	For profiles of 40 mm
LSKZ5050 U2L	For profiles of 50 mm
LSKZ6060 U2L	For profiles of 60 mm
LSKZ8080 U2L	For profiles of 80 mm
LSKZ100100 U2L	For profiles of 100 mm
LSKZ120120 U2L	For profiles of 120 mm

For round profiles

LSRZ4040 U2L	For profiles of 40 mm
LSRZ6060 U2L	For profiles of 60 mm
LSRZ8080 U2L	For profiles of 80 mm
LSRZ100100 U2L	For profiles of 100 mm
LSRZ120120 U2L	For profiles of 120 mm



Recommended handle & accessories



3006S
P. 170



3970LS
P. 158



DRILLØ15
P. 158



LOCITOOL LA
P. 162



Double cylinder lock

LGKZ D1

Industrial sliding gate lock with aluminium housing and stainless steel mechanism with 2 cylinders. You only need to use 1 of the cylinders in order to open or to close the lock. This is the perfect lock to provide entry to third parties like firemen or waste collectors.

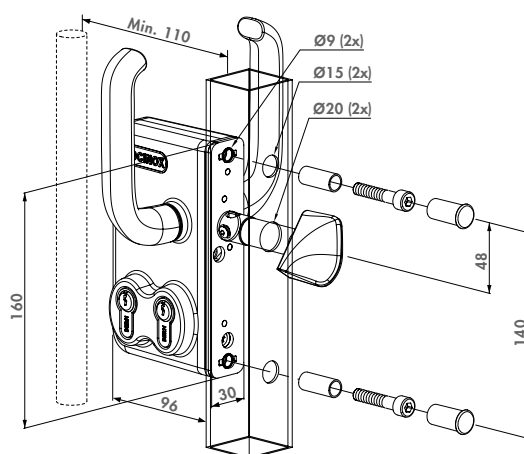


Lock box color options

ZILV 6005 7016 9005

Specifications

- ✓ ISO 9227 KTL / E-coated lock box withstands 1000 hours of salt spray test
- ✓ For gate profiles from 40 to 120 mm depth
- ✓ Mechanism and Twistfinger in stainless steel
- ✓ Adjustable for horizontal or vertical mounting of the keep (catch bolt)
- ✓ Innovative closing system
- ✓ Stainless steel collar around the Twistfinger prevents cutting through the Twistfinger (catchbolt)
- ✓ 3-hole fixing with two hexagon socket head screws
- ✓ Exchangeable with Locinox LS-Locks
- ✓ Standard with reinforced aluminium handle pair



Recommended keeps



SSKZ QF
P. 101



O-SET
P. 101

Order codes

For square profiles

LGKZ4040 D1L	For profiles of 40 mm
LGKZ5050 D1L	For profiles of 50 mm
LGKZ6060 D1L	For profiles of 60 mm
LGKZ8080 D1L	For profiles of 80 mm
LGKZ100100 D1L	For profiles of 100 mm
LGKZ120120 D1L	For profiles of 120 mm

For round profiles

LGRZ4040 D1L	For profiles of 40 mm
LGRZ5050 D1L	For profiles of 50 mm
LGRZ6060 D1L	For profiles of 60 mm
LGRZ8080 D1L	For profiles of 80 mm
LGRZ100100 D1L	For profiles of 100 mm
LGRZ120120 D1L	For profiles of 120 mm



Cylinders and accessories



3012-POC-
P. 184



3071-
P. 187



3006S
P. 170



Insert lock with 20 mm backset for profiles of 40 mm or more

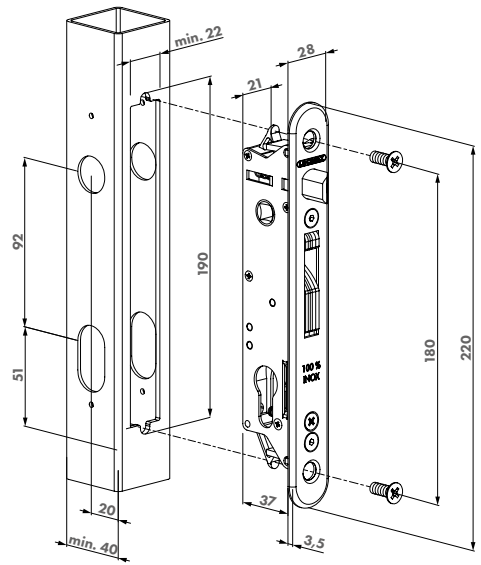
FORTYLOCK (Patented)

Insert lock with 100% stainless steel mechanism. The stainless steel adjustable self-latching bolt and hook combined with the right keep guarantee a strong and solid closed gate where the gate wings can not be pulled apart or forced open. The lock can be installed on metal, aluminium and PVC gates. Thanks to the patented "Click-It" system, installing the lock can be done in a matter of seconds.



Specifications

- ✓ Lock mechanism with cover plate against dirt penetration
- ✓ Patented "Click-It" system makes thread tapping unnecessary
- ✓ Continuous adjustment of the daybolt up to 10 mm without dismantling the lock box
- ✓ Key-operated self-latching bolt
- ✓ Mechanism, hook, frontplate, latchbolt: stainless steel
- ✓ Easy left or right changing of the self-latching daybolt
- ✓ Throw of the hook: 21 mm
- ✓ Center-distance cylinder <=> handles = 92 mm
- ✓ Optional: cover shield for handle & cylinder holes in aluminium, polyamide or stainless steel
- ✓ Handles to be ordered separately
- ✓ Compatible with all Europrofile cylinders



Recommended keeps



MODULEC-SF-
P. 107



SFKO
P. 105



SFKM
P. 106

Order code

Insert lock

FORTYLOCK For profiles of 40 mm



Optional cover shields



3020-HYB-A2
P. 88



3020-HYB-ALU-ZILV
P. 88



3020-HYB-ALU-9005
P. 88



3020-HYB-STD
P. 88

Recommended handles



3006M-H
P. 173



3006J-H
P. 173



3006B-H
P. 173



3006FIX-
P. 167



Insert lock with 30 mm backset for profiles of 50 mm or more

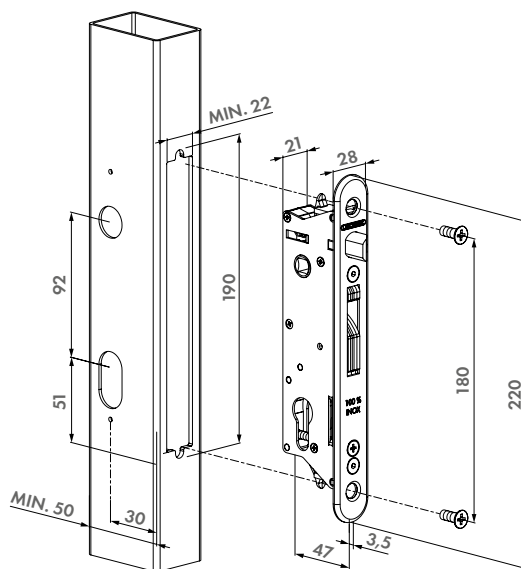
FIFTYLOCK (Patented)

Prime insert lock with 100% stainless steel mechanism. The stainless steel adjustable self-latching bolt and hook combined with the correct keep guarantee a strong and solid closed gate where the gate wings can not be pulled apart or forced open. The lock can be installed on metal, aluminium and PVC gates. Thanks to the patented "Click-It" system the lock is mounted in seconds.



Specifications

- ✔ Stainless steel lock mechanism with cover plate against dirt penetration
- ✔ Mechanism, hook, frontplate, latchbolt: stainless steel
- ✔ Backset 30 mm, for mounting in profiles of 50 mm depth or more
- ✔ Continuous adjustment of the daybolt up to 10 mm without dismantling the lock box
- ✔ Key-operated self-latching bolt
- ✔ Easy left or right changing of the self-latching daybolt
- ✔ Throw of the hook: 21 mm
- ✔ Center-distance cylinder <=> handles = 92 mm
- ✔ Compatible with all Europrofile cylinders
- ✔ Handles to be ordered separately
- ✔ Optional: cover shield for handle & cylinder holes in aluminium, polyamide or stainless steel



Recommended keeps



SFKB
P. 104



MODULEC-SF-
P. 107



SFKM
P. 106

Order code

Insert lock

FIFTYLOCK Insert lock with 30 mm backset for profiles of 50 mm or more



Optional cover shields



3020-HYB-A2
P. 88



3020-HYB-STD
P. 88



3020-HYB-ALU-9005
P. 88



3020-HYB-ALU-ZILV
P. 88

Recommended handles



3006M-H
P. 173



3006J-H
P. 173



3006B-H
P. 173



3006FIX-
P. 167



Insert lock with 40 mm backset for profiles of 60 mm or more

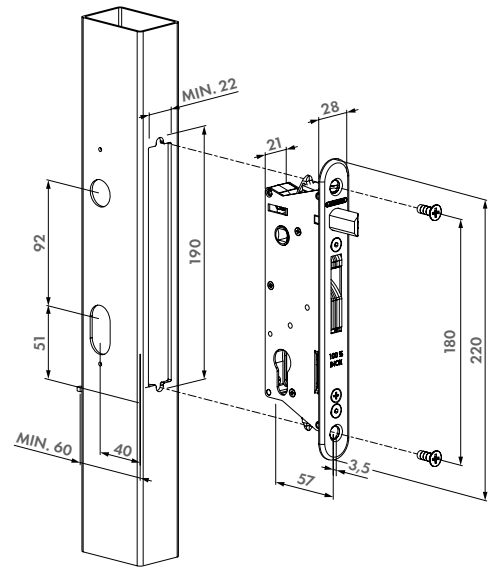
SIXTYLOCK (Patented)

Prime insert lock with 100% stainless steel mechanism. The stainless steel, adjustable self-latching bolt and hook combined with the right keep guarantee a strong and solid closed gate where the gate wings can not be pulled apart or forced open. The lock can be installed on metal, aluminium and PVC gates. Thanks to the patented "Click-It" system the lock is mounted in seconds.



Specifications

- ✓ Stainless steel lock mechanism with cover plate against dirt penetration
- ✓ Mechanism, hook, frontplate, latchbolt: stainless steel
- ✓ Backset 40 mm, for mounting in profiles of 60 mm of depth or more
- ✓ Continuous adjustment of the daybolt up to 10 mm without dismantling the lock box
- ✓ Key-operated self-latching bolt
- ✓ Easy left or right changing of the self-latching daybolt
- ✓ Throw of the hook: 21 mm
- ✓ Center-distance cylinder <=> handles = 92 mm
- ✓ Compatible with Europrofile cylinder
- ✓ Handles to be ordered separately
- ✓ Optional: cover shield for handle & cylinder holes in aluminium, polyamide or stainless steel



Recommended keeps



SFKB
P. 104



INTRALEC-
P. 107



SFKM
P. 106

Order code

Insert lock

SIXTYLOCK Insert lock with 40 mm backset for profiles of 60 mm or more



Optional cover shields



3020-HYB-A2
P. 88



3020-HYB-STD
P. 88



3020-HYB-ALU-9005
P. 88



3020-HYB-ALU-ZILV
P. 88

Recommended handles



3006M-H
P. 173



3006B-H
P. 173



3006J-H
P. 173



3006FIX-
P. 167



NEW Insert lock with 60 mm backset for profiles of 80 mm or more

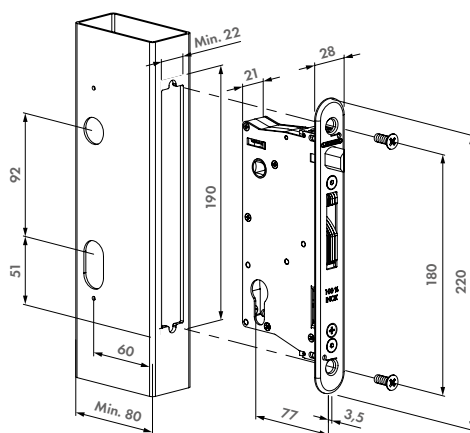
EIGHTYLOCK

Prime insert lock with 100% stainless steel mechanism. The stainless steel, adjustable self-latching bolt and hook combined with the right keep guarantee a strong and solid closed gate where the gate wings can not be pulled apart or forced open. The lock can be installed on metal, aluminium, wooden and PVC gates. Thanks to the patented "Click-It" system the lock is mounted in seconds.



Specifications

- ✔ Stainless steel lock mechanism with cover plate against dirt penetration
- ✔ Mechanism, hook, frontplate, latchbolt: stainless steel
- ✔ Backset 60 mm, for mounting in profiles of 80 mm of depth or more
- ✔ Continuous adjustment of the daybolt up to 10 mm without dismounting the lock box
- ✔ Key-operated self-latching bolt
- ✔ Easy left or right changing of the self-latching daybolt
- ✔ Throw of the hook: 21 mm
- ✔ Center-distance cylinder <=> handles = 92 mm
- ✔ Compatible with Europrofile cylinder
- ✔ Handles to be ordered separately
- ✔ Perfect for wooden gates



Recommended keeps



SFKM
P. 106



MODULEC-SF-
P. 107



INTRALEC-
P. 107

Order codes

Insert lock

EIGHTYLOCK-M Insert lock with 60 mm backset for profiles of 80 mm or more for metal gates

EIGHTYLOCK-W Insert lock with 60 mm backset for profiles of 80 mm or more for wooden gates



Optional cover shields



3020-HYB-A2
P. 88



3020-HYB-STD
P. 88



3020-HYB-ALU-9005
P. 88



3020-HYB-ALU-ZILV
P. 88

Recommended handles



3006M-H
P. 173



3006B-H
P. 173



3006J-H
P. 173



3006FIX-
P. 167



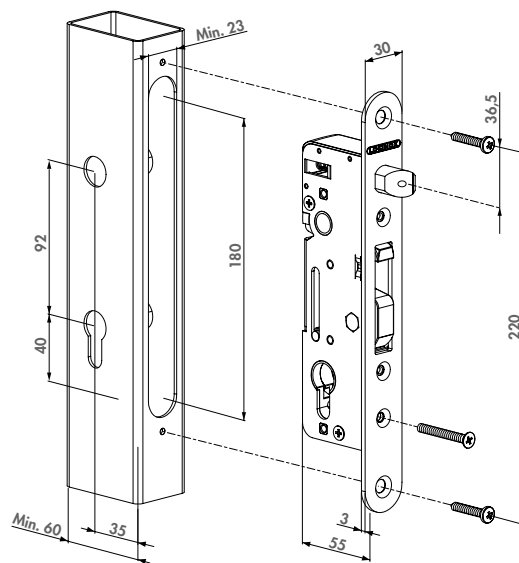
Insert lock with 35 mm backset

H-METAL (Patented)

Insert lock made of high quality with 100% stainless steel mechanism. The massive stainless steel hook and adjustable latch bolt makes this a one of a kind lock. The combination of the hook (dead bolt) with the corresponding keep provides a secure anchoring of your gate. These locks can be used on metal or aluminium gates or with our fully prepared steel profiles.

Specifications

- ✔ Easy left or right changing of the self-latching daybolt
- ✔ Key-operated self-latching bolt
- ✔ Adjustment of the latch bolt up to 20 mm continuous without dismantling the lock
- ✔ Mechanism, hook, frontplate, latchbolt: stainless steel
- ✔ Handles and cylinder to be ordered separately
- ✔ Throw of the hook: 33 mm
- ✔ Center-distance cylinder <=> handles = 92 mm
- ✔ Hook in combination with the Locinox keep provides a secure anchoring
- ✔ With coverplate for lock mechanism against dirt penetration
- ✔ Compatible with Europrofile cylinder
- ✔ Cover shield for handle & cylinder holes to be ordered separately



Order code

Insert lock

H-METAL For profiles with a min. depth of 60 mm



Complete, stainless steel insert lock set for metal and aluminium gates

H-METAL-SET

Complete set to equip your metal or aluminium gates with a 20 mm adjustable, stainless steel insert lock and adjustable keep.

Specifications

- ✔ Complete set with lock, keep, cover plates, handles and cylinder
- ✔ Stainless steel or polyamide front cover shields

Order codes

H-METAL-SET-54-I Stainless steel handle and 54 mm cylinder

H-METAL-SET-54-M Aluminium handle and 54 mm cylinder

H-METAL-SET-80-I Stainless steel handle and 80 mm cylinder

H-METAL-SET-80-M Aluminium handle and 80 mm cylinder



Complete insert lock set with keep for metal, PVC or aluminium gates FORTYSET

Complete set to equip your metal, PVC or aluminium gates with a 10 mm adjustable, stainless steel insert lock and keep.

Specifications

- ✔ Complete set with lock, keep, cover plates, handles and cylinder
- ✔ 54 mm Europrofile cylinder with three keys

Order codes

FORTYSET-40I-GP Fortylock + SFKI + 3020-HYB-STD + 3006G + 3012-54-STD-VSZ

FORTYSET-40I-JA Fortylock + SFKI + 3020-HYB-ALU + 3006J-H + 3012-54-STD-VSZ

FORTYSET-40I-BA Fortylock + SFKI + 3020-HYB-ALU-9005 + 3006B-H + 3012-54-STD-VSZ

FORTYSET-40I-MA Fortylock + SFKI + 3020-HYB-ALU + 3006M-H + 3012-54-STD-VSZ

FORTYSET-40P-GP Fortylock + SFKP + 3020-HYB-STD + 3006G + 3012-54-STD-VSZ

FORTYSET-40P-JP Fortylock + SFKP + 3020-HYB-STD + 3006J-H + 3012-54-STD-VSZ



Complete Fiftylock insert set with keep for metal, PVC or aluminium gates FIFTYSET

Complete Fiftylock set to equip your metal, PVC or aluminium gates with a 10 mm adjustable, stainless steel insert lock and keep.

Specifications

- ✔ Complete set with Fiftylock, keep, cover plates, handles and cylinder
- ✔ 54 mm Europrofile cylinder with three keys

Order code

FIFTYSET-50M-JA Fiftylock + SFKM + 3020-HYB-ALU + 3006J-H + 3012-54-STD-VSZ



Complete Sixtylock insert set with keep for metal, PVC or aluminium gates SIXTYSET

Complete Sixtylock set to equip your metal, PVC or aluminium gates with a 10 mm adjustable, stainless steel insert lock and keep.

Specifications

- ✔ Complete set with Sixtylock, keep, cover plates, handles and cylinder
- ✔ 80 mm Europrofile cylinder with three keys

Order code

SIXTYSET-60M-JA Sixtylock + SFKM + 3020-HYB-ALU + 3006J-H + 3012-80-STD-VSZ



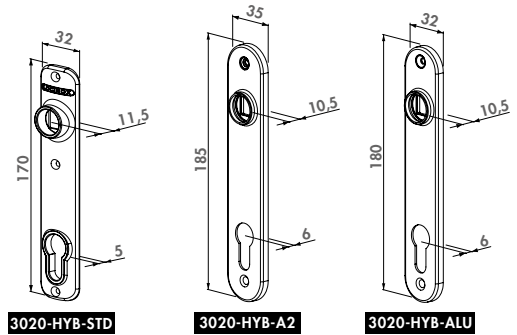
Cover shield for insert locks

3020-HYB

Cover shield for handle & cylinder holes of Locinox insert locks. Available in aluminium, stainless steel or polyamide for an aesthetic finish. Screws included.

Specifications

- ✓ Cover shield for handle & cylinder holes
- ✓ Standardised gate pattern: compatible with HWLB for Hybrid locks
- ✓ Available in polyamide, aluminium and stainless steel



Compatible locks



H-METAL
P. 86



FORTYLOCK
P. 82



SIXTYLOCK
P. 84



EIGHTYLOCK
P. 85

Order codes

3020-HYB-A2	Stainless steel cover shields for insert locks
3020-HYB-ALU-9005	Aluminium cover shields for insert locks - Black
3020-HYB-ALU-ZILV	Aluminium cover shields for insert locks - Silver
3020-HYB-STD	Polyamide cover shields for insert locks



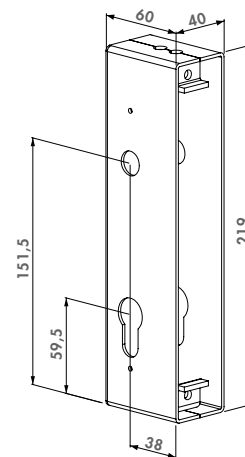
Welding box for H-METAL-WB

HWLB

Metal welding box for Hybrid lock.

Specifications

- ✓ Size: 60 x 40 x 219 mm (2 mm thickness)
- ✓ Black steel for welding



Compatible lock and accessories



H-METAL-WB
P. 89



3020-HYB-A2
P. 88



3020-HYB-ALU-9005
P. 88



3020-HYB-STD
P. 88

Order code

HWLB	Black steel welding lock box for H-METAL-WB locks
-------------	---



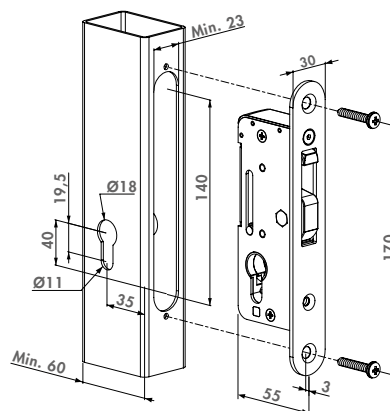
Handleless stainless steel insert lock with hook

H-COMPACT (Patented)

Quality 100% stainless steel insert lock with hook for a mechanical closure of (automated) sliding gates. The absence of handles prevents people from climbing over the fence with the handle as a step.

Specifications

- ✔ Insert lock with a backset of 35 mm
- ✔ Suitable for swing and sliding gates
- ✔ Mechanism, hook, front plate, chassis and all internal mechanical parts are a 100% stainless steel
- ✔ Throw of the hook: 33 mm
- ✔ Hook in combination with the Locinox keep provides a secure anchoring
- ✔ Without self-latching bolt
- ✔ (Removable) pin prevents lifting the hook from the keep
- ✔ With coverplate for lock mechanism against dirt penetration
- ✔ Compatible with all Europrofile cylinders



Recommended keep



Order code

H-COMPACT For profiles with a min. depth of 60 mm

SHKC
P. 108



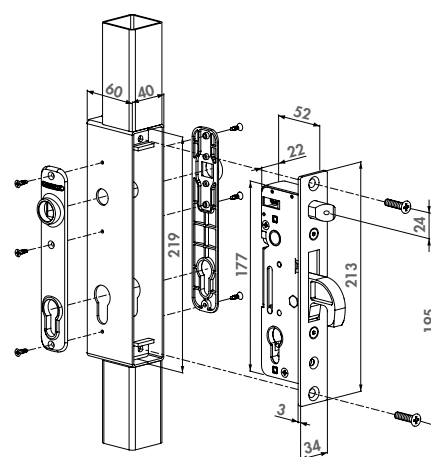
Insert lock for welding box

H-METAL-WB (Patented)

Outstanding insert lock with 100% stainless steel mechanism. The massive stainless steel hook and adjustable self-latching bolt make this a one of a kind lock. The combination of the hook (dead bolt) with the corresponding keep provides a secure anchoring of your gate. These locks can be used on metal gates with our welding boxes.

Specifications

- ✔ Insert lock with a backset of 35 mm
- ✔ Easy left or right changing of the self-latching daybolt
- ✔ Key-operated self-latching bolt
- ✔ Adjustment of the latch bolt up to 20 mm continuous without dismantling the lock
- ✔ Mechanism, hook, frontplate, latchbolt: stainless steel
- ✔ Throw of the hook: 33 mm
- ✔ Center-distance cylinder <=> handles = 92 mm
- ✔ Hook in combination with the Locinox keep provides a secure anchoring
- ✔ With coverplate for lock mechanism against dirt penetration
- ✔ Compatible with Europrofile cylinder
- ✔ Handles and cylinder to be ordered separately
- ✔ Cover shield for handle & cylinder holes to be ordered separately



Recommended keeps



SHKM
P. 109



HWKB
P. 108



SEH
P. 94

Order code

H-METAL-WB For hybrid welding lock box - HWLB

i Hardware for wooden gates

Wood is more popular than ever as a construction material in the gate and fence world. Wood lives and therefore it's important to know that **wood swells and shrinks** relative to weather changes. That is why here at Locinox we developed a **range of products for wooden gates** which make sure that your **gate always closes perfectly**, even after 10 years!



100% modular



Time-saving



Left/right reversible

Single wing gate

H-WOOD

100% stainless steel insert lock with a backset of 60 mm. The perfect solution for wooden gates. The adjustable self-latching bolt in combination with the stainless steel hook (dead bolt) provides an extra security.

SHKW

Stainless steel keep for insert locks. This unique keep in combination with the lock ensures a strong gate anchoring. This configuration is with wood screws for wooden posts.

MAMMOTH

An elegant self-closing hinge which opens smoothly and closes consistently gates up to 150 kg regardless of the outside temperatures (patented system). Closing speed and final snap are individually adjustable.



- ① SHKW: p. 109
- ② H-WOOD: p. 91
- ③ MAMMOTH: p. 16
- ④ DINO: p. 132



- ① 4DW: p. 135
- ② VSF: p. 146
- ③ SHKW: p. 109
- ④ H-WOOD: p. 91

Double wing gate

4DW

Aesthetic, vandal proof hinge for wooden gates. The stainless steel hinge can be adjusted in 4 dimensions: height, depth, left/right alignment and rotational.

VSF

Standard drop bolt with hot-dip galvanized bolt. The drop bolt is auto-locked between the gate wings.



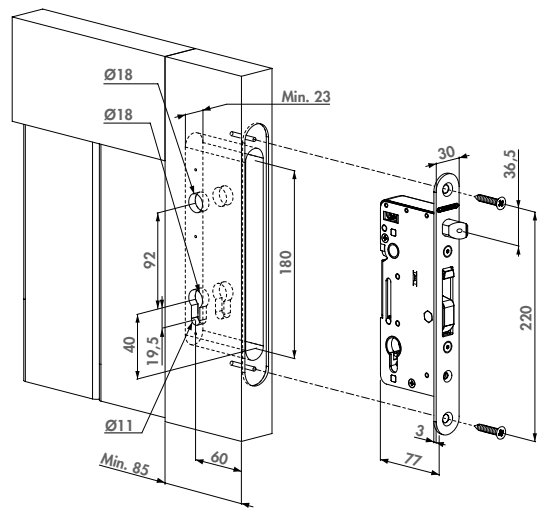
Stainless steel insert lock for wooden gates

H-WOOD (Patented)

100% stainless steel insert lock with a backset of 60 mm. The perfect solution for wooden gates. The adjustable self-latching bolt in combination with the stainless steel hook (dead bolt) provides an extra security.

Specifications

- ✔ Easy left or right changing of the self-latching daybolt
- ✔ Key-operated self-latching bolt
- ✔ Adjustment of the latch bolt up to 20 mm continuous without dismounting the lock
- ✔ Mechanism, hook, frontplate, latchbolt: stainless steel
- ✔ Stainless steel hook for secure anchoring
- ✔ Throw of the hook: 33 mm
- ✔ Center-distance cylinder \Leftrightarrow handles = 92 mm
- ✔ 60 mm backset
- ✔ Lock mechanism with cover plate against dirt penetration
- ✔ Compatible with all Europrofile cylinders
- ✔ Handles and cylinder to be ordered separately
- ✔ Cover shield for handle & cylinder holes to be ordered separately



Order code

Insert lock

H-WOOD For profiles with a min. depth of 85 mm



Complete, stainless steel insert lock set for wooden gates

H-WOOD-SET

Complete set to equip your wooden gates with an adjustable, stainless steel insert lock and keep. A safe anchoring of the gate is guaranteed.

Specifications

- ✔ Complete set with lock, keep, cover plates, handles and cylinder
- ✔ 60 or 80 mm cylinder
- ✔ Stainless steel cover shields and handles

Order codes

H-WOOD-SET-60-I H-WOOD + 3020-HYB-A2 (2x) + 30061-H + SHKW-ALUM + 3012-60-STD-VSZ

H-WOOD-SET-80-I H-WOOD + 3020-HYB-A2 (2x) + 30061-H + SHKW-ALUM + 3012-80-STD-VSZ



Keeps

No lock without a keep. Locinox provides a wide range of keeps for sliding, swing, garden and child safety gates. An impact test at our facility ensures our keeps to handle every blow they receive and they meet our strict Locinox standard. Mounting is easy, fast and very strong thanks to our patented Quick-Fix system. The stop plates are adjustable and in many cases equipped with a protective rubber strip.

94 Keeps for swing gate locks

98 Keeps for child safety locks

101 Keeps for sliding gate locks

104 Keeps for insert locks





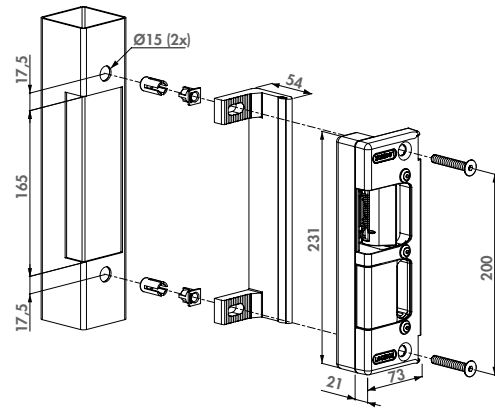
Electric strike for surface mounted locks

SE (Patented)

Electric strike for swing gates. The strike is equipped with a blocking system that withstands 500 kg pulling force. The deadbolt receiver has been reinforced with stainless steel. This innovation makes the strike even more robust. This keep is extremely strong and the ideal solution for all your access control. SE is available in two versions: E (Emissa - Fail Close) and R (Ruptura - Fail Open).

Specifications

- ✔ Type SE.E: Emissa - Fail Close
- ✔ Type SE.R: Ruptura - Fail Open
- ✔ Nightbolt receiver reinforced and out of stainless steel
- ✔ For post profiles of 50 mm and more
- ✔ Voltage: 12V AC/DC
- ✔ Current Emissa: 1A
- ✔ Current Ruptura: 1,5A
- ✔ Water resistant & weatherproof
- ✔ Pressure resistance on self-latching bolt: 500 kg



Compatible locks



LAKQ U2
P. 57

LUKY J5
P. 59

LDKZ D1
P. 60

LAKQ H2
P. 71

Order codes

SE-E Electric strike, Emissa, Fail Close

SE-R Electric strike, Ruptura, Fail Open



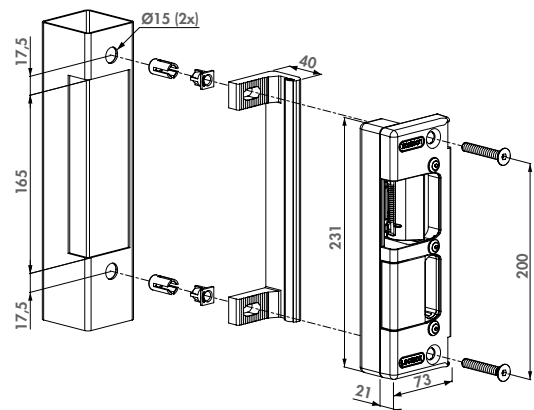
Electric strike for insert locks

SEH (Patented)

Electric strike for H-Metal and H-Wood. The strike is equipped with a blocking system that withstands 500 kg pulling force. This keep is extremely strong and the ideal solution for all your access control. SEH is available in two versions: E (Emissa - Fail Close) and R (Ruptura - Fail Open).

Specifications

- ✔ Type SEH.E: Emissa - Fail Close
- ✔ Type SEH.R: Ruptura - Fail Open
- ✔ Easy left or right changing
- ✔ For post profiles of 50 mm and more
- ✔ Voltage: 12V AC/DC
- ✔ Current Emissa: 1A
- ✔ Current Ruptura: 1,5A
- ✔ Water resistant & weatherproof
- ✔ Pressure resistance on self-latching bolt: 500 kg



Compatible locks



H-METAL
P. 86

H-METAL-WB
P. 89

H-WOOD
P. 91

Order codes

SEH-E Electric strike, Emissa, Fail Close for H-Metal and H-Wood

SEH-R Electric strike, Ruptura, Fail Open for H-Metal and H-Wood



Surface mounted electric strike

MODULEC-SA (Patented)

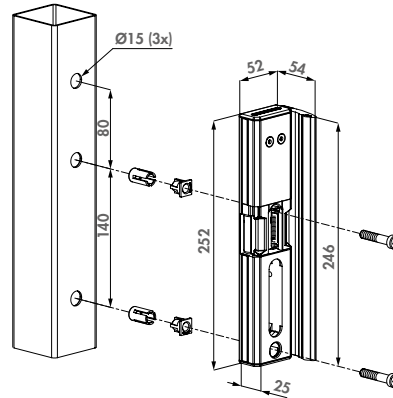
Easy-to-install electric strike for surface-mounting thanks to the patented Quick-Fix. Easily interchangeable with the SA keep. Can be connected to both 12V - 24V and AC/DC. Modulec-SA is available in two versions: E (Emissa - Fail Close) and R (Ruptura - Fail Open).

Stop plate color options

ALUM 6005 7016 9005

Specifications

- ✔ Tested up to 500.000 movements
- ✔ Fast and easy fixing with Quick-Fix
- ✔ Resistance to pressure on the latch bolt: 300 kg
- ✔ Same drilling pattern as SA, SH and SM keeps
- ✔ Easy left or right changing
- ✔ Corrosion-resistant: black anodized aluminium housing
- ✔ Adjustable for gate profiles: 40-60 mm depth
- ✔ Voltage: 12V-24V AC/DC
- ✔ Consumption: 12V - 1,25A / 24V - 0,62A
- ✔ Power: 15W



Compatible locks



LAKQ U2
P. 57

LUKY J5
P. 59

LDKZ D1
P. 60

LAKQ H2
P. 71

Order code

MODULEC-SA-E Fail Close for surface mounted gate locks, 12-24V AC/DC

MODULEC-SA-R Fail Open for surface mounted gate locks, 12-24V AC/DC



Surface mounted electric security keep

MODULEC-SH (Patented)

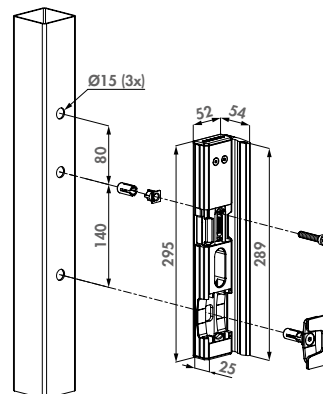
Replace your SHKL keep with an electrical surface mounted keep with Fail Close / Fail Open functionality. Easy to install thanks to the patented Quick-Fix. For 12V-24V and AC/DC. Modulec-SH is available in two versions: E (Emissa - Fail Close) and R (Rupture - Fail Open).

Stop plate color options

ALUM 6005 7016 9005

Specifications

- ✔ Tested up to 500.000 movements
- ✔ Resistance to pressure on the latch bolt: 300 kg
- ✔ Easy mounting with Quick-Fix
- ✔ Same drilling pattern as SA, SH and SM keeps
- ✔ Easy left or right changing
- ✔ Corrosion-resistant: black anodized aluminium housing
- ✔ Adjustable for gate profiles: 40-60 mm depth
- ✔ Voltage: 12V-24V AC/DC
- ✔ Consumption: 12V - 1,25A / 24V - 0,62A
- ✔ Power: 15W



Compatible locks



LAKQ U2
P. 57

LUKY J5
P. 59

LDKZ D1
P. 60

LAKQ H2
P. 71

Order codes

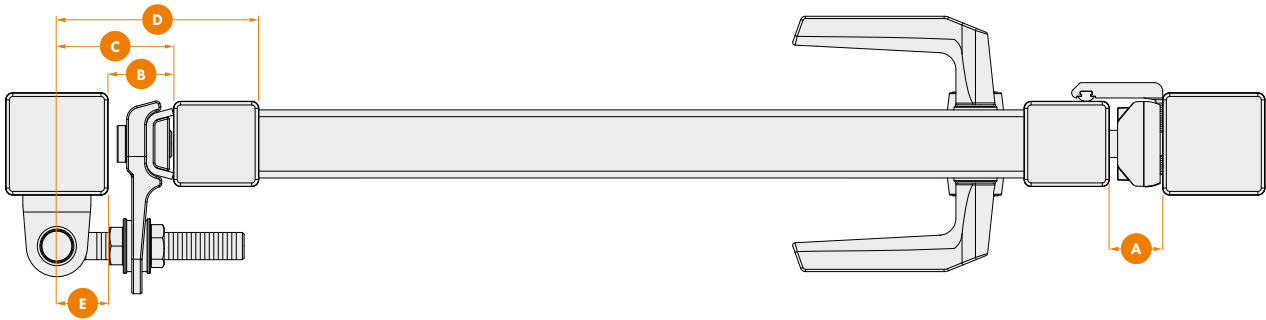
MODULEC-SH-E Fail Close for surface mounted gate locks, 12-24V AC/DC

MODULEC-SH-R Fail Open for surface mounted gate locks, 12-24V AC/DC

i Minimal distances

Perfect work begins with a perfect preparation!

All Locinox products can be adjusted accurately. We recommend however to consider the mounting depth when planning. Below, you will find a clear overview of the minimum distances between gate and post. This guarantees that all is perfectly aligned.



Hinges

	B MINIMUM	C MAXIMUM	D MAXIMUM	E MINIMUM
GBMU4D12	22	80	-	20
GBMU4D16	35	115	-	25
GBMU4D20	36	130	-	25
EXCENTRO	35	-	-	30
BOLTONHD-4D-12	8	70	-	28
BOLTONHD-4D-16	8	88	-	28
GBMU-X-M12	6	77	-	20
GBMU-X-M16	8	95	-	25
GBMU-X-M18	8	88	-	25
GBMU-X-M20	12	112	-	25
GBMU-X-M22	12	112	-	30
G90Z-X-M16	48	30	-	18
G90Z-X-M20	53	28	-	23
DINO	13	43	-	23
PUMA	10	21,5	-	-
NOSEHINGE-I	25	-	101	51
BEARING HINGE 40X40	25	25	-	60
BEARING HINGE 50X50	20	20	-	55
3DM	16	76	-	10,5
4DW	0	25	-	21
3DW	0	25	-	10,5
GBM12X130 30X30	15	-	120	20
GBM12X130 40X40	10	-	120	20
GBM12X150 30X30	15	-	140	20
GBM12X150 40X40	10	-	140	20
GBM16X160 40X40	17	-	148	25
GBM16X160 50X50	12	-	148	25
GBM16X180 40X40	17	-	168	25
GBM16X180 50X50	12	-	168	25
GAM12X130	46	-	120	20
GAM12X150	46	-	140	20

Keeps

	A MINIMUM
SAKL QF	30
SHKL QF	30
SMKL QF	30
SKRZ	27
SE & SEH	26
SPKZ	8
SSKZ	21
ST	27
SF	13
MODULEC-SA	30
MODULEC-SH	30

Keeps

	A MINIMUM
INTRALEC	10
SFKO	30
MODULEC-SF	30
SHKM	15
SHKW	15
SHKC	6
SFKI	13
SFKP	30
SFKB	30
SFKM	13

Hinges

	B MINIMUM	C MAXIMUM	D MAXIMUM	E MINIMUM
SWING130	10	-	120	20
SWING150	10	-	140	20
G-ORNA-M20	35	63	-	41,5
G-ORNA-M24	35	70	-	44
G-ORNA-M27	32,5	88	-	46,5
G90LR-X-M16-65	53	60,5	-	18
G90LR-X-M16-110	53	105,5	-	18
G90LR-X-M16-150	53	145,5	-	18
G90LR-X-M20-67	58	60,5	-	22
G90LR-X-M20-150	58	143,5	-	22
G90WP-B-M16-65	62	65	-	18
G90WP-B-M16-110	62	110	-	18
G90WP-B-M16-150	62	150	-	18
G90WP-B-M20-67	77	67	-	22
G90WP-B-M20-150	77	150	-	22



Adjustable keep out of stainless steel

SAKL QF (Patented)

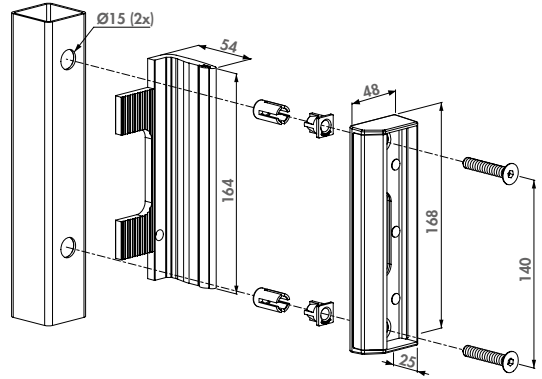
Stainless steel keep with polyamide finishing used as standard for all your gates (garden, ornamental, industrial,...). The unique Quick-Fix ensures a fast and strong mounting. The adjustable, aluminium stop plate with rubber accepts different gate profiles from 40 to 60 mm width. Redesigned to make the strike accept the latchbolt easier.

Stop plate color options

ALUM 6005 6009 7016 9005 9010

Specifications

- ✔ Stainless steel bolt receiver
- ✔ Extruded stop plate in aluminium with rubber strip
- ✔ Easy left or right changing
- ✔ Innovative Quick-Fix mounting
- ✔ Adjustable for gate profiles: 40-60 mm width
- ✔ For rectangular and round profiles



Compatible locks



LAKQ U2
P. 57

LOKQ Y2
P. 63

LMKQ V2
P. 64

LAKZ P1
P. 72

Order codes

SAKL QF Industrial keep for square profiles

SARL QF Industrial keep for round profiles



Adjustable security keep out of stainless steel

SHKL QF (Patented)

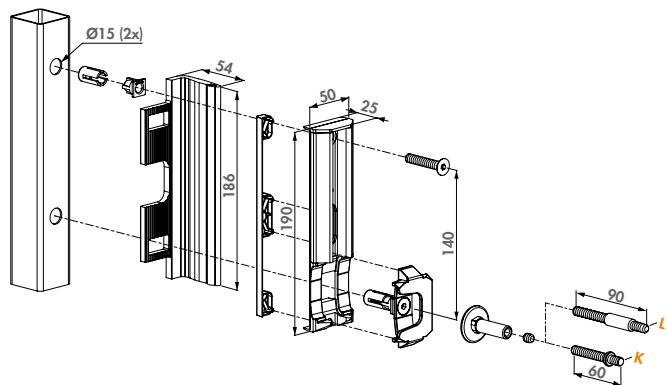
Stainless steel keep with polyamide finishing for all your metal, aluminium and PVC gates. The patented stainless steel anchoring system prevents pulling the gates out of the keep. The unique Quick-Fix ensures a fast and strong mounting. The adjustable, aluminium stop plate with rubber accepts different gate profiles of 40 - 60 or 60 - 80 mm width. Redesigned to make the strike accept the latchbolt easier.

Stop plate color options

ALUM 6005 6009 7016 9005 9010

Specifications

- ✔ Reinforced stainless steel security keep for round and square profiles
- ✔ Stainless steel anchoring system included
- ✔ Stainless steel adjustable slam plate with shock rubber
- ✔ Easy left or right changing
- ✔ Innovative Quick-Fix mounting
- ✔ Prevents opening the gate with a crowbar
- ✔ For rectangular and round profiles
- ✔ Adjustable for gate profiles: 40-60 mm (K) and 60-80 mm (L)



Compatible locks



LAKQ U2
P. 57

LMKQ V2
P. 64

LDKZ D1
P. 60

LEKQ U4
P. 67

Order codes

SHKL QF Industrial security keep for square profiles

SHRL QF Industrial security keep for round profiles



Polyamide garden gate keep for rectangular profiles

SMKL QF

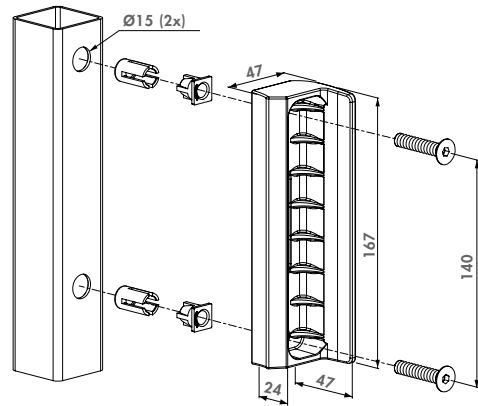
Polyamide keep for garden gates. The Quick-Fix fixation ensures a fast and strong mounting on rectangular posts. For gate profiles of 40 mm width.

Color options

6005 6009 7016 7040 9005

Specifications

- ✔ Keep in polyamide for square profiles
- ✔ Easy left or right changing
- ✔ Innovative Quick-Fix mounting
- ✔ For profiles as of 40 mm or more



Compatible locks



LAKZ P1
P. 72

LAKZ P1 WSI
P. 73

Order code

SMKL QF Polyamide garden gate keep for square profiles



Polyamide garden gate keep for round profiles

SKRZ

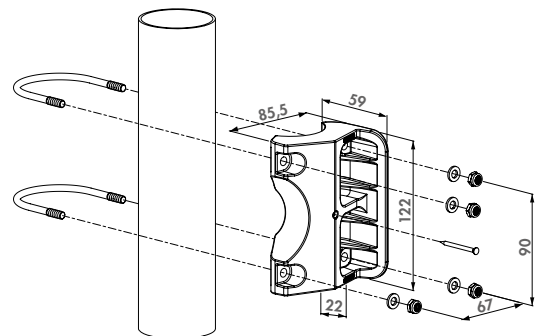
Polyamide keep garden gates. The brace fixing ensures a fast and strong mounting on round tubes. For gate profile 40 mm and post profile 60 mm.

Color options

6005 6009 7040 9005

Specifications

- ✔ Keep in polyamide for round profiles
- ✔ Easy left or right changing
- ✔ Only for round posts Ø60 mm
- ✔ For gate profiles of 40 mm width



Compatible locks



LAKZ P1
P. 72

LAKZ P1 WSI
P. 73

Order code

SKRZ Polyamide garden gate keep for round profiles



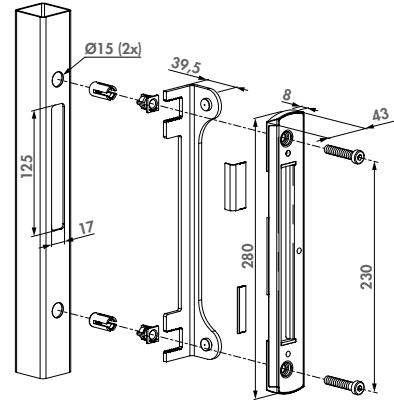
Stainless steel surface mounted keep for surface mounted locks

SF-

Aesthetical surface mounted keep. Specially designed for our complete range of surface mounted swing gate locks. The limited 8 mm visible thickness ensures a discreet look. A highly efficient assembly with minimal gate preparations is guaranteed, while the unique Quick-Fix ensures a fast and strong fixation on the gate. This unique keep in combination with the gate lock ensures a strong gate anchoring.

Specifications

- ✔ Stainless steel keep for square profiles as of 40 mm
- ✔ Compatible with our complete range of surface mounted swing gate locks
- ✔ Extruded stop plate in aluminium with rubber strip for longterm use
- ✔ Including innovative Quick-Fix fixations and self drilling screws
- ✔ Easy left or right changing
- ✔ Elegant design: visible thickness of 8 mm
- ✔ Adjustable stop plate for 40 mm till 60 mm gate frames
- ✔ Adjustable guide to avoid damage of day bolt to post



Compatible locks



Order code

SF- Stainless steel surface mounted keep for surface mounted locks, adjustable for 40 mm to 60 mm gate frames



Pull Counter Box

3006PC

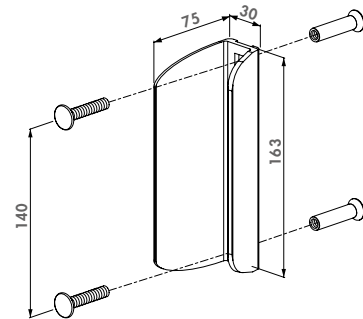
Aesthetic solution in aluminium for the construction of symmetric double swing gates in combination with the Locinox keep. When used with the Locinox 4D-hinges, you can simplify your production of double gates to one single identical gate wing which can be used either on the left or right side. The pull counter box fills up the symmetric lock opening in the other gate wing.

Color options

ZILV 6005 6009 7016 9005

Specifications

- ✔ Folded pull counter box with same shape as the industrial lock
- ✔ To use in combination with the SA or the SH keep with the special through and through fixing



Compatible locks



Order code

3006PC Folded counter box in aluminium with through and through fixing



Ornamental keep

SPKZ QF

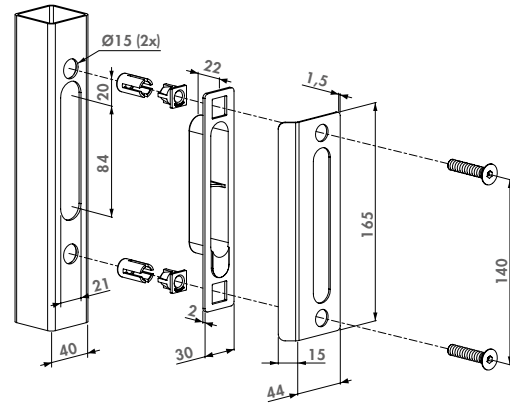
Flat keep with polyamide box to integrate into the post. This set allows you to adjust your (ornamental) gates with a minimal gap.

Color options

ALUM 9005

Specifications

- ✔ Insert keep for square profiles of 40 mm
- ✔ Innovative Quick-Fix mounting



Compatible locks



LAKQ H2
P. 71

LAKY F2
P. 70

LAKQ U2
P. 57

LMKQ V2
P. 64

Order code

SPKZ QF 40 Insert keep for square profiles of 40 mm



Ornamental keep with counter lock box

SPKZ-TK

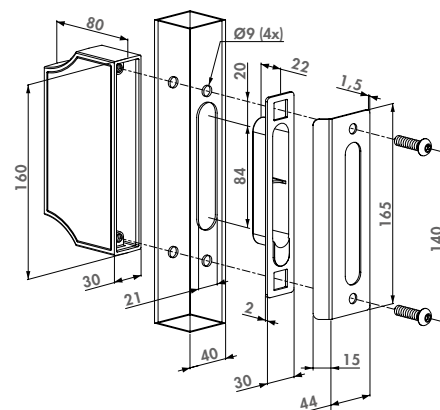
Flat keep with polyamide box to integrate into the post. This set allows you to adjust your double ornamental gates with a minimum gap in between and offers you a nice and aesthetic look.

Color options

9005

Specifications

- ✔ Counter lock box with the same shape as the ornamental lock
- ✔ For rectangular profiles of min. 40 mm width
- ✔ Mounting: through the profile into the counter lock box



Compatible locks



LAKQ H2
P. 71

LAKY F2
P. 70

Order code

SPKZ TK 40 Insert keep and ornamental counter lock box for square profiles of 40 mm

Sliding gate keep with Quick-Fix

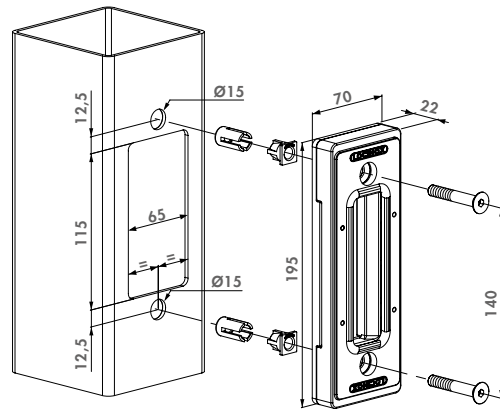
SSKZ QF (Patented)



Stainless steel sliding gate keep for hollow posts. The keep is 9 mm left/right auto-adjustable for an easy and secure anchoring of the gate lock. A rubber stop prevents the gate from being damaged while closing.

Specifications

- ✔ Keep in stainless steel for square profiles
- ✔ Minimum profile size: 80 mm wide
- ✔ Fast and easy fixing with Quick-Fix
- ✔ The keep is 9 mm left/right auto-adjustable for easy and secure anchoring of the Twistfinger
- ✔ The rubber stop prevents damaging the gate frame



Compatible locks



LLKZ V2
P. 79

LSKZ U2
P. 80

LGKZ D1
P. 81

Order code

SSKZ QF Sliding gate keep for square profiles with a min. width of 80 mm

Aluminium adapter case for flat profiles

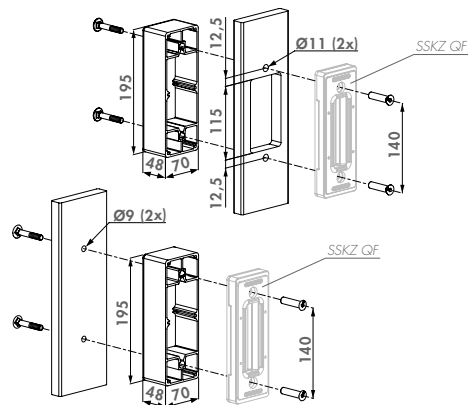
O-SET

Adapter for the SSKZ QF sliding gate keep. Can be used when installing the keep on flat profiles or if you want the keep to be surface installed.



Specifications

- ✔ Aluminium case to use together with sliding gate keep SSKZ QF when installing on a flat profile
- ✔ Protects the Twistfinger when the keep is mounted on a flat profile with a minimum thickness of 5 and a maximum thickness of 20 mm
- ✔ Delivered with through and through fasteners



Recommended keep



SSKZ QF
P. 101

Order code

O-SET For flat profiles in combination with SSKZ QF keep



Swimming pool keep for square profiles for TWIST40

STK QF (Patented)

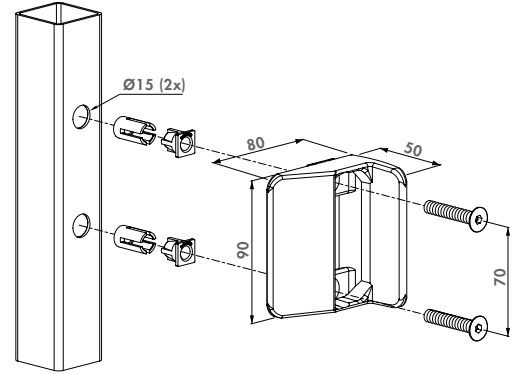
Polyamide keep conform the swimming pool safety standard NF P90-306. Designed to combine with the TWIST40 lock. Fast and strong fixings on square posts: Quick-Fix. For gate profiles of 40 mm width only.

Color options

9005

Specifications

- ✔ Keep in polyamide for square profiles 40 mm or more
- ✔ For 40 mm gate profiles only
- ✔ Only compatible with the swimming pool lock TWIST40
- ✔ Innovative Quick-Fix mounting
- ✔ Conforms to swimming pool standard NF P90-306
- ✔ We strongly advise you to read the swimming pool safety standard NF P90-306 before manufacturing any swimming pool gate



Compatible lock



TWIST40
P. 77

Order code

STK QF For square posts in combination with TWIST40 lock

Swimming pool keep for round profiles for TWIST40

STR60 QF (Patented)

Polyamide keep conform the swimming pool safety standard NF P90-306. Designed to combine with the TWIST40 lock. Fast and strong fixings on round tubes Ø60 mm: Quick-Fix. For gate profiles of 40 mm only.

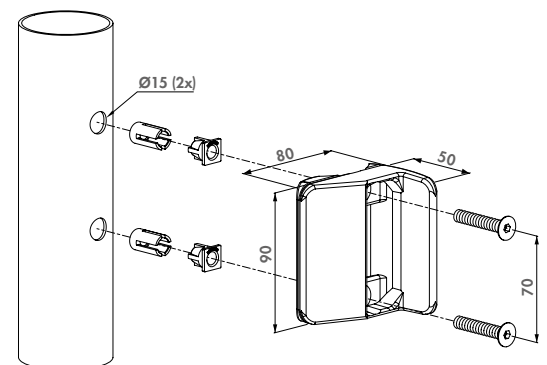


Color options

9005

Specifications

- ✔ Keep in polyamide for round profiles Ø60 mm
- ✔ For 40 mm gate profiles only
- ✔ Only compatible with the swimming pool lock TWIST40
- ✔ Innovative Quick-Fix mounting
- ✔ Conforms to swimming pool standard NF P90-306
- ✔ We strongly advise you to read the swimming pool safety standard NF P90-306 before manufacturing any swimming pool gate



Compatible lock



TWIST40
P. 77

Order code

STR60 QF For round posts Ø60 mm in combination with TWIST40 lock



Keeps for
swimming pool gates



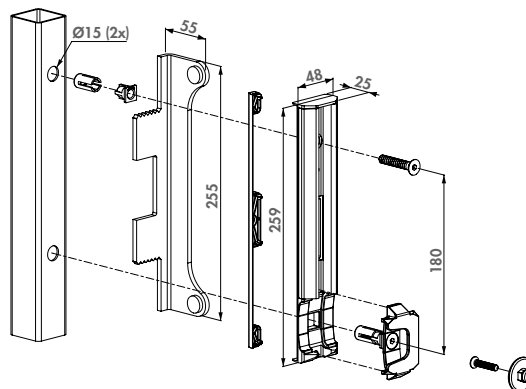
Surface mounted stainless steel keep strike for Fortylock, Fiftylock and Sixtylock

SFKB

Stainless steel keep with polyamide finishing for all your metal, aluminium and PVC gates. The patented stainless steel anchoring system prevents pulling the gates out of the keep. The unique Quick-Fix ensures a fast and strong mounting.

Specifications

- ✔ Keep for square profiles
- ✔ Aluminium slam plate with shock rubber
- ✔ Innovative installation with Quick-Fix
- ✔ To combine with Fortylock, Fiftylock and Sixtylock
- ✔ Stainless steel anchoring system included
- ✔ Easy left or right changing
- ✔ Prevents opening the gate with a crowbar
- ✔ Adjustable for gate profiles: 40-60 mm width



Compatible locks



FORTYLOCK
P. 82

FIFTYLOCK
P. 83

SIXTYLOCK
P. 84

Order code

SFKB-QF Adjustable from 40 mm to 60 mm



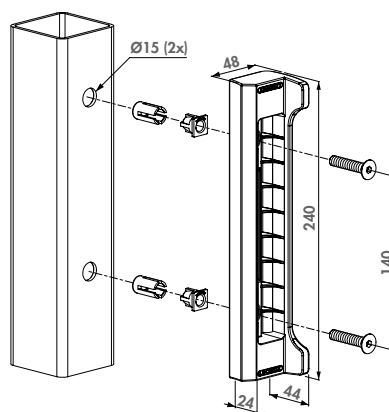
Polyamide keep for Fortylock, Fiftylock and Sixtylock

SFKP

Polyamide keep for garden gates. To combine with Fortylock, Fiftylock and Sixtylock. The Quick-Fix ensures a fast and strong mounting on square posts. For gate profiles of 40 mm.

Specifications

- ✔ Keep for square profiles of 40 mm
- ✔ Standard measure between fixings: 140 mm
- ✔ Innovative installation with Quick-Fix
- ✔ Easy left or right changing



Compatible locks



FORTYLOCK
P. 82

FIFTYLOCK
P. 83

SIXTYLOCK
P. 84

Order code

SFKP-QF40 For square gate profiles 40 mm



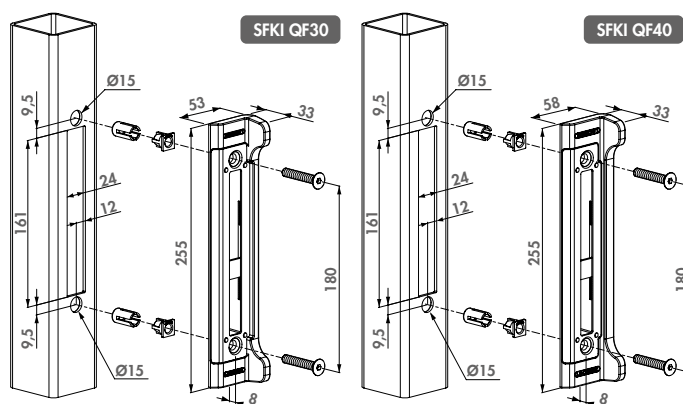
Insert stainless steel keep for Fortylock, Fiftylock and Sixtylock

SFKI

Insert keep for small gates in metal, aluminium and PVC. The keep can be combined with the Fortylock, Fiftylock and Sixtylock. Fast and easy mounting with Quick-Fix. Hook in combination with the keep provides a secure anchoring of gate and post. Available for square posts of 30 or 40 mm depth.

Specifications

- ✔ Keep for square profiles
- ✔ Innovative installation with Quick-Fix
- ✔ Easy left or right changing
- ✔ Insert depth: 15 mm
- ✔ Available for gate profiles 30 or 40 mm



Compatible locks



FORTYLOCK
P. 82

FIFTYLOCK
P. 83

SIXTYLOCK
P. 84

Order codes

SFKI-QF30 For square gate profiles 30 mm

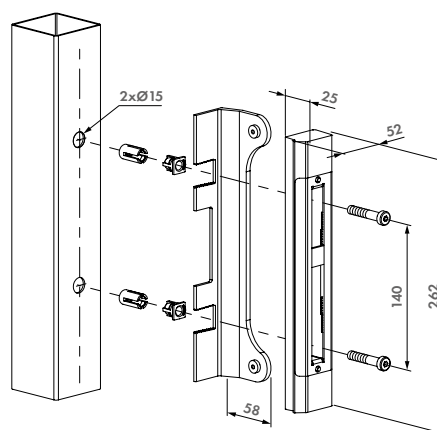
SFKI-QF40 For square gate profiles 40 mm



NEW Stainless steel surface mounted keep for insert locks

SFKO

Aesthetical surface mounted keep. Specially designed for Fortylock, Fiftylock and Sixtylock insert locks. The keep is perfectly modular with the electrical strike Modulec-SF, no changes needed. A highly efficient mounting with minimal gate preparations is guaranteed, while the unique Quick-Fix ensures a fast and strong fixation on the gate. The anchoring system ensures a strong gate closure.



Compatible locks



FORTYLOCK
P. 82

FIFTYLOCK
P. 83

SIXTYLOCK
P. 84

Color options

ALUM 9005

Specifications

- ✔ Modular with electric strike MODULEC-SF
- ✔ Keep for square profiles
- ✔ Innovative installation with Quick-Fix
- ✔ Extruded stop plate in aluminium with rubber strip for longterm use
- ✔ Compatible with Fortylock, Fiftylock and Sixtylock insert locks
- ✔ Vandal proof design: hook-in anchoring system prevents opening with a crowbar
- ✔ Easy left or right changing
- ✔ Adjustable for gate profiles: 40 - 60 mm

Order codes

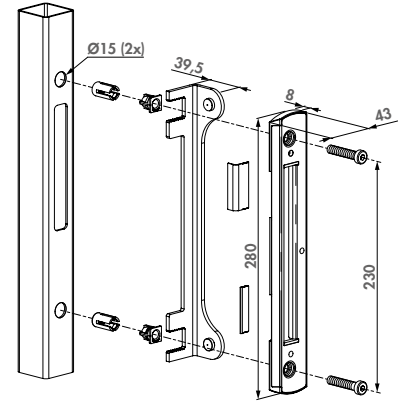
SFKO-QF Stainless steel surface mounted keep for insert locks



Stainless steel surface mounted keep for Fortylock, Fiftylock and Sixtylock

SFKM

Aesthetical surface mounted keep for small metal, aluminium and PVC gates. Specially designed for Fortylock, Fiftylock and Sixtylock insert locks. The limited 8 mm depth ensures a discreet look. A highly efficient assembly with minimal gate preparations is guaranteed, while the unique Quick-Fix ensures a fast and strong fixation on the gate. This unique keep in combination with the insert lock ensures a strong gate anchoring.



Color options

ALUM 9005

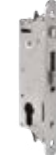
Specifications

- ✓ Stainless steel keep for square profiles as of 40 mm
- ✓ Compatible with Fortylock, Fiftylock and Sixtylock insert locks
- ✓ Extruded stop plate in aluminium with rubber strip for longterm use
- ✓ Including innovative Quick-Fix fixations and self drilling screws
- ✓ Easy left or right changing
- ✓ Elegant design: visible thickness of 8 mm
- ✓ Adjustable stop plate for 40 mm till 60 mm gate frames
- ✓ Adjustable guide to avoid damage of day bolt to post

Compatible locks



FORTYLOCK
P. 82



FIFTYLOCK
P. 83



SIXTYLOCK
P. 84

Order code

SFKM-QF Adjustable from 40 mm to 60 mm





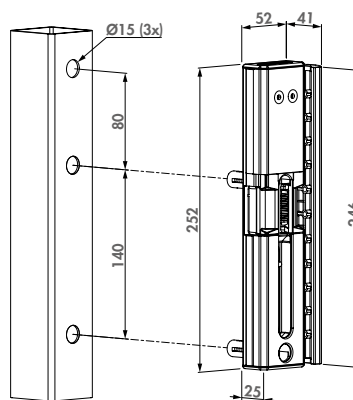
Surface mounted electric strike for Forty-, Fifty- and Sixtylock

MODULEC-SF- (Patented)

Easy-to-install surface mounted electric keep with a narrowed stop plate for insert locks. Thanks to the patented Quick-Fix, a quick installation is guaranteed. The black anodized housing ensures a corrosion and scratch-free use for many years. Can be connected to both 12V - 24V and AC/DC. Modulec-SF is available in two versions: E (Emissa - Fail Close) and R (Ruptura - Fail Open).

Specifications

- ✔ Tested up to 500.000 movements
- ✔ Fast and easy fixing with Quick-Fix
- ✔ Resistance to pressure on the latch bolt: 300 kg
- ✔ Easy left or right changing
- ✔ Corrosion-resistant: black anodized aluminium housing
- ✔ Adjustable for gate profiles: 40-60 mm width
- ✔ Voltage: 12V-24V AC/DC
- ✔ Consumption: 12V - 1,25A / 24V - 0,62A
- ✔ Power: 15W



Compatible locks



FORTYLOCK
P. 82

FIFTYLOCK
P. 83

SIXTYLOCK
P. 84

Order codes

MODULEC-SF-E Fail Close for insert locks, 12-24V AC/DC

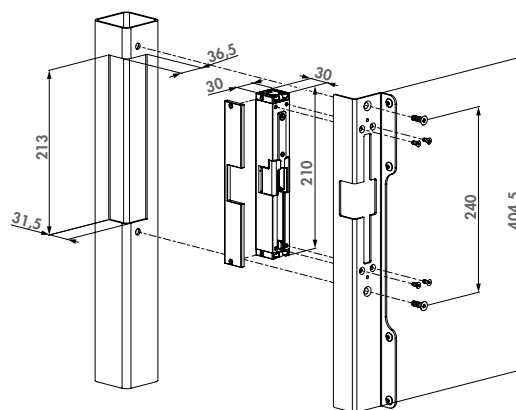
MODULEC-SF-R Fail Open for insert locks, 12-24V AC/DC



Built-in electric keep for Fortylock, Fiftylock and Sixtylock insert locks

INTRALEC- (Patented)

Elegant and discreet electric keep which is built-in the post. Easy installation thanks to the patented Click-It system. Can be installed without a strike plate and a mechanical override is possible. Intralec is available in Fail Open (Ruptura) and Fail Close (Emissa) version.



Compatible locks



FORTYLOCK
P. 82

FIFTYLOCK
P. 83

SIXTYLOCK
P. 84

Specifications

- ✔ Fast and easy fixing with Click-it
- ✔ Resistance to pressure on the latch bolt: 300 kg
- ✔ Deep closure of 17,5 mm of the latch bolt
- ✔ Voltage: 12V-24V AC/DC
- ✔ Consumption: 10W / 12V - 0.8A / 24V - 0.4A

Order codes

INTRALEC-C-40-9005-E For 40 mm gate profiles - Fail Close, with stop plate

INTRALEC-C-40-9005-R For 40 mm gate profiles - Fail Open, with stop plate

INTRALEC-C-50-9005-E For 50 mm gate profiles - Fail Close, with stop plate

INTRALEC-C-50-9005-R For 50 mm gate profiles - Fail Open, with stop plate

INTRALEC-Z-40-9005-E For 40 mm gate profiles - Fail Close, without stop plate

INTRALEC-Z-40-9005-R For 40 mm gate profiles - Fail Open, without stop plate

INTRALEC-Z-50-9005-E For 50 mm gate profiles - Fail Close, without stop plate

INTRALEC-Z-50-9005-R For 50 mm gate profiles - Fail Open, without stop plate



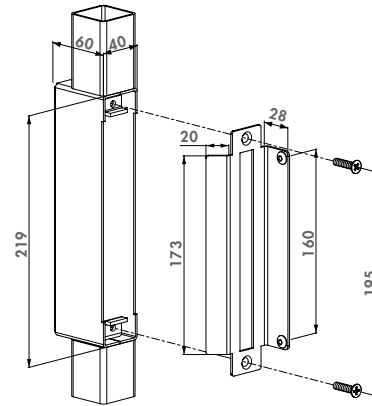
Hybrid welding box and keep for H-METAL

HWKB

Hybrid keep for insert locks. The welding box in black steel 60x40 mm / 2 mm can be integrated in your post. The frontplate in stainless steel with integrated stop ensures a perfect finish.

Specifications

- ✔ Welding box 60x40/2 mm for hybrid keep in black steel to weld between your posts
- ✔ Frontplate in stainless steel
- ✔ Integrated gate stop with 2 rubber stops
- ✔ For gate profiles of 40 mm width



Compatible locks



H-METAL
P. 86



H-METAL-WB
P. 89

Order code

HWKB Welding box and keep to combine with H-METAL lock



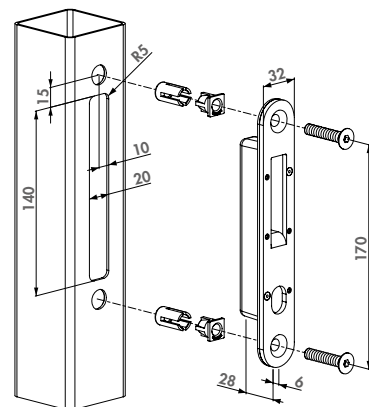
Stainless steel keep for H-COMPACT

SHKC

Stainless steel keep for the H-COMPACT insert lock. The 33 mm throw of the hook and the anti-lift protection provide a secure anchoring.

Specifications

- ✔ Plastic box prevents intrusion of dirt or water in the profile
- ✔ 6 mm thick front plate
- ✔ Can be used for swing and sliding gates
- ✔ Innovative installation with Quick-Fix
- ✔ The keep presents a safe solution and prevents lifting the gate out of the keep.



Compatible lock



H-COMPACT
P. 89

Order code

SHKC For square posts with a min. width of 40 mm in combination with H-COMPACT lock



Hybrid keep for insert locks

SHKM (Patented)

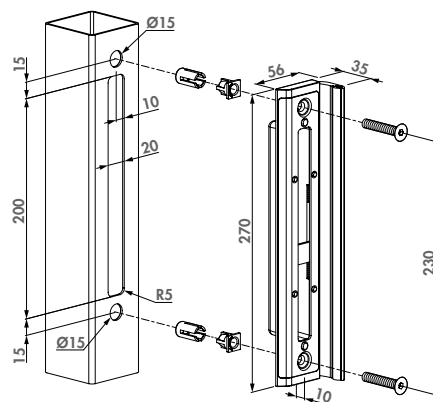
Stainless steel keep for insert locks. This unique keep in combination with the insert lock ensures a strong gate anchoring. This configuration is equipped with Quick-Fix for metal and aluminium posts.

Stop plate color options

ALUM 9005

Specifications

- ✔ Adjustable for gate profiles: 40-60 mm width
- ✔ Innovative Quick-Fix mounting
- ✔ Anchoring plate for hook
- ✔ Easy left or right changing



Compatible locks and accessories



H-METAL
P. 86

H-METAL-WB
P. 89

Order code

SHKM For square posts in combination with H-METAL lock



Hybrid keep wood

SHKW

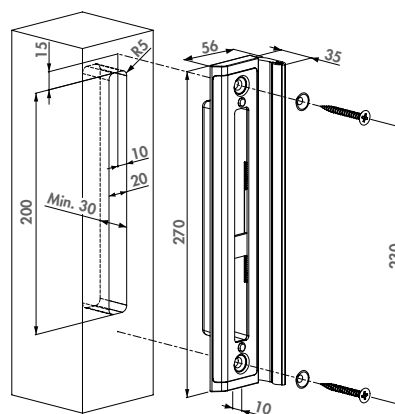
Stainless steel keep for insert locks. This unique keep in combination with the insert lock ensures a strong gate anchoring. This configuration includes wood screws.

Color options

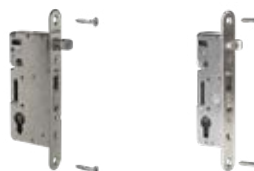
ALUM

Specifications

- ✔ Stainless steel keep for Hybrid locks
- ✔ With mounting screws for wood
- ✔ Supplied with stop plate if integrated stop is not provided
- ✔ For 40-60 mm gate profiles
- ✔ Anchoring plate for hook



Compatible locks



H-WOOD
P. 91

H-METAL
P. 86

Order code

SHKW For wooden posts in combination with H-WOOD lock



Hinges

Hinges support the weight of the gate and ensure it opens and closes smoothly. Because of this heavy task, our hinges are hot-dip galvanized or made of stainless steel. Thanks to our wide range we can offer a solution for every situation. Our patented 4D hinge is a top-of-the-line innovation which is adjustable in 4 dimensions (height/depth/alignment/left or right turning).

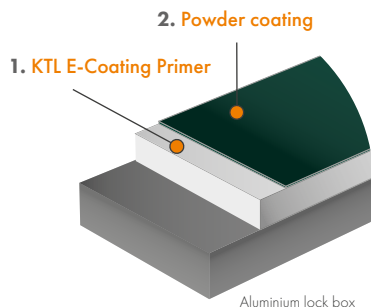
113 Hinges for industrial and ornamental gates

136 Hinges for small gates



i Weatherproof

Materials and surface treatments fit for a long, care-free outdoor use, is a basic requirement for our products. Therefore, Locinox only uses stainless steel and non-ferro metals as raw material. For the surface treatment we choose for hot-dip galvanization or chroming, if possible. Our aluminium lock boxes are profoundly tested against wear by salt and never fail thanks to the applied multilayer, high performing coatings.



E-COATED ALUMINIUM



POWDER COATING



HOT-DIP GALVANIZATION

i Safety

Even though our products meet most important safety standards, a wrongful assembly could result in hazardous situations. Therefore we like to inform you about the parameters to mind during assembly.

CORRECT INFORMATION

A team of engineers and experienced product experts are ready to assist you. Every product is supplied with a clear manual which guides you through the steps for a correct and safe installation. For more complex products, a 3D installation video is available on our website.

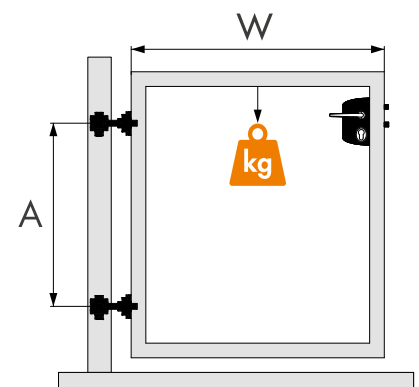
MAXIMUM GATE WEIGHT

We always mention the maximum gate weight which is allowed for our hinges. This weight is still under the maximum load. Locinox applies safety factor 3,5 which means that they can bear up to 3,5 times the maximally allowed gate weight without endangering safety. The maximum gate weights and the safety factor are only applicable for gates that comply with the following formula.

Please note:

- Maximum gate width: 4 m
- Additional limitations can be defined on configuration level
- Please contact Locinox in case of specific questions

! European norm EN 12604 prescribes that every gate should be prevented from falling and in case of failure of a hinge the gate should be held not further than 300 mm from the turning point of that hinge. This can be done by fitting the U-Safe or B-Safe gate safety cable (see p 190) or a 3rd hinge.



kg SAFETY FACTOR 3,5

$$\frac{W}{A} \leq 2$$

A = Distance between the hinges
W = Gate width



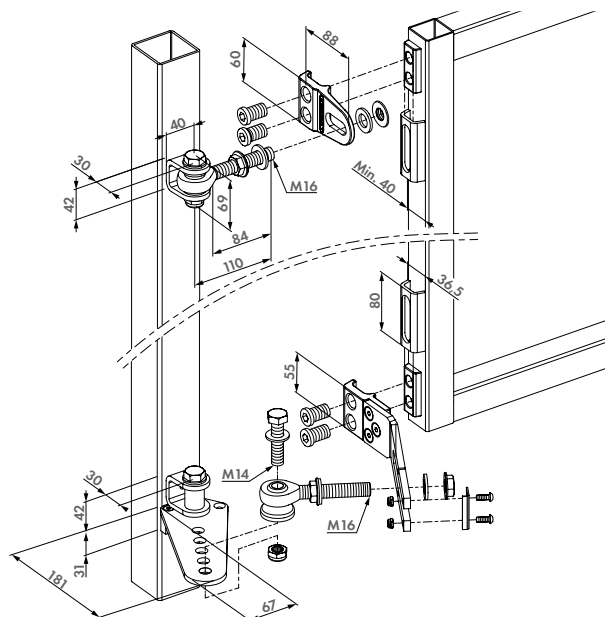
180° hinge set for ascending slopes

EXCENTRO-

This hinge is the perfect solution for sloped driveways. The hinge opens in an upward movement inwards, allowing a perfect entry and exit on even the steepest slopes (from 2% up to 35%). Use with the Rhino hydraulic gate closer is highly recommended for a controlled closing. Modular for gates with a Locinox GBMU4D-M16 preparation.

Specifications

- ✔ Hot-dip galvanized hinge with stainless steel components
- ✔ 180° opening and closing angle
- ✔ Recommended with Rhino hydraulic gate closer for a controlled closing
- ✔ Adjustable for slopes from 2 up to 35% (depending on distance between hinges)
- ✔ For left & right turning gates
- ✔ Compatible with KLAUW gate claw and 1001U U-shaped ear plate

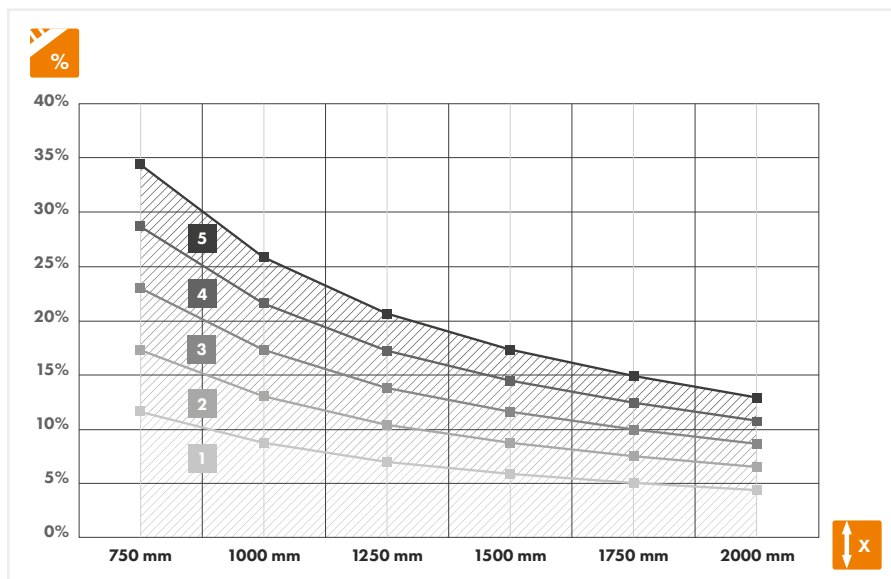
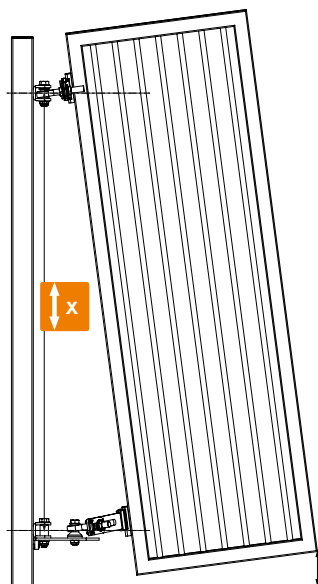


Order code

EXCENTRO-M16

Eyebolt M16

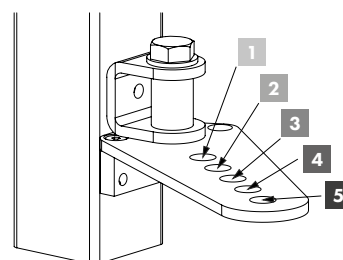
i For slopes from 2 up to 35%



Driveway slope percentage



Distance between hinges





Bolt-on U-shaped earplate with Quick-Fix

BOLTON-U-

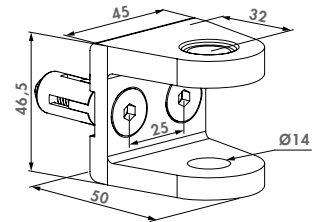
Fix easily and firmly the U-shaped earplate to the fix post with 2 Quick-Fix. Compatible with GBMU, GBMU4D and BOLTONHD-4D.

Color options

ALUM 6005 7016 9005

Specifications

- ✔ U-shaped earplate in aluminium
- ✔ Perfect combination with BOLTONHD-G-QF
- ✔ No welding required: drill holes and fix with Quick-Fix



Order codes

BOLTON-U-16-QF

BOLTON-U-12-QF

U-shaped earplate with Quick-Fix



Bolt-on GRIP in aluminium

BOLTON-P-

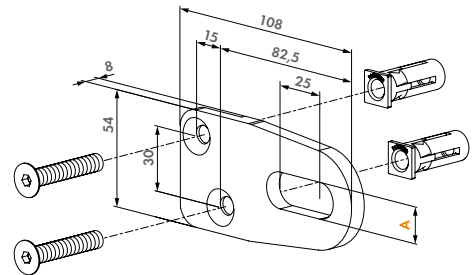
The aluminium GRIP is attached quickly, easily and firmly to the back of the gate profile with 2 Quick-Fix bolts. Using the Bolton-P allows you to prepare one gate for both left and right gates. This GRIP is a perfect fit for lighter gates, such as garden gates for example. Compatible with BOLTON-U earplate.

Color options

ALUM 6005 7016 9005

Specifications

- ✔ Packed per pair
- ✔ Max width of the gate: 1500 mm (M12)
- ✔ Max weight of the gate: 50 kg (M12)
- ✔ Max width of the gate: 2000 mm (M16)
- ✔ Max weight of the gate: 75 kg (M16)



Order codes

BOLTON-P-12-QF

A

13 mm

BOLTON-P-16-QF

17 mm



Bolt-on GRIP

BOLTONHD-G- (Patented)

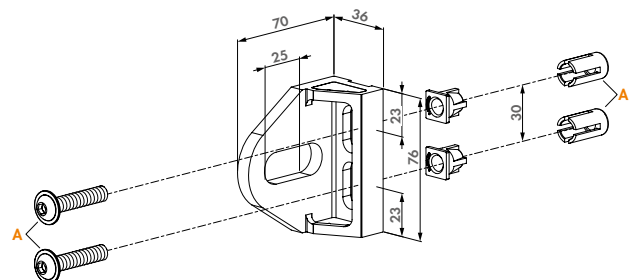
The GRIP is attached quickly, easily and firmly to the fixed post with 2 Quick-Fix bolts or with internal threaded bushing fastening. Compatible with GBMU, GBMU4D and BOLTONHD-4D.

Color options

ALUM 6005 7016 9005

Specifications

- ✔ GRIP in aluminium
- ✔ No welding required: drill holes and fix with Quick-Fix
- ✔ The 40-60 version can be applied to tubes of 40 up to 60 mm



Order codes

BOLTONHD-G-16-QF

A

Quick-Fix

180° Bolt-on 4D adjustable hinge

BOLTONHD-4D- (Patented)



180° hinge which can quickly be mounted without any welding being required. It offers all advantages of the GBMU4D range: vandal-proof, adjustment of height, depth and distance between gate and post, left/right interchangeable so it can be used for both left and right turning gates. BOLTONHD-4D is available in M12 and M16, and always in 2 versions: one with Quick-Fix on both sides and one with Quick-Fix on the post, and on gate side a bolt through fixing for gate frames from 40 to 60 mm.

Color options

ALUM 6005 7016 9005

Specifications

- ✓ Easy to fix with Quick-Fix or bolt through fixing
- ✓ Vandal-proof eyebolt & crossbolt
- ✓ 180° opening
- ✓ Hot-dip galvanized eyebolt and crossbolt
- ✓ Max width of the gate: 2000 mm

Hinge parts



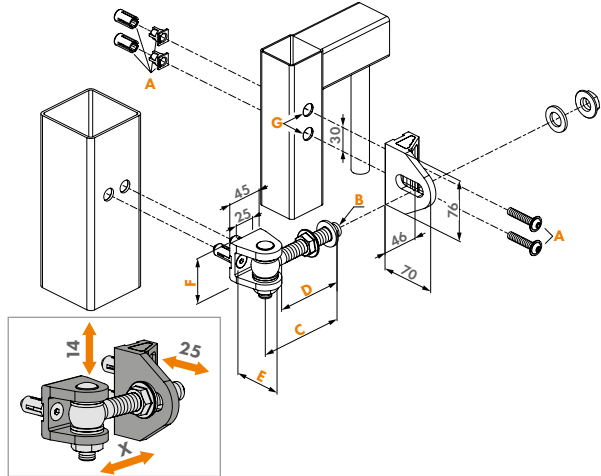
BOLTON-U-
P. 114



BOLTONHD-G-
P. 114



1034HDGA-
P. 119



Order codes & Dimensions



	kg	A	B	C	D	E	F	G
BOLTONHD-4D-12-QF-90	100	Quick-Fix	M12	90	70	42	35,5	Ø15
BOLTONHD-4D-16-QF-110	200	Quick-Fix	M16	110	85	50	46,5	Ø15



i Gate wing standardization

With Locinox you can easily **standardize and stock only one type of gate wing** which can be used on **left- or right turning gates** or on **double wing gates**. Our extensive product range allows you to use the same wing for the lock and the keep. A counterbox ensures a **uniform and aesthetic look**. The orientation of the GRIP of our GBMU4D hinge makes it possible to determine during installation whether the wing will be used for left or right turning.



100% modular



Time-saving



Left/right reversible



Easy to stack



1 gate profile,
lots of possibilities



Only 1 drill pattern

Advantages of wing standardization

Easy to stack and transport

A gate wing where the hardware such as hinges and locks can be installed afterwards. Easier to stack, to keep on stock and easier to transport!



Hinge, lock and keep reversibility

A gate wing can be used for left or right turning. Locinox locks and keeps are reversible and the hinges can be installed in both directions.



Right turning gate



Left turning gate



Double wing gate





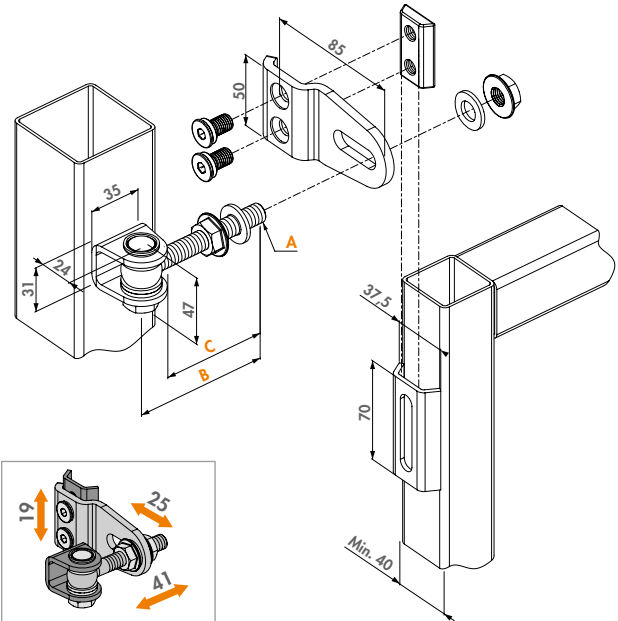
180° weld-on 4D adjustable hinge

GBMU4D12 (Patented)

4-way adjustable, hot-dip galvanized 180° hinge. Depth and spacing between gate and post are adjustable after installation. No more left or right swinging gates in stock. Only one gate wing should be produced for both left and right turning gates. The welding parts are available in black steel or zinc plated.

Specifications

- ✓ 180° opening and closing angle
- ✓ Hot-dip galvanized eyebolt and Grip
- ✓ 500h salt spray resistant



Hinge parts



1001U
P. 122



KLAUW12
P. 122



GRIP12
P. 124



4DFIX-I-12
P. 123

Order codes & Dimensions

Welding parts in black steel (B)

GBMU4D12-B-90

Welding parts zinc plated (Z)

GBMU4D12-Z-90



100 kg

A

B

C

Eyebolt M12 Length 90 mm 70



180° weld-on 4D adjustable hinge

GBMU4D16 (Patented)

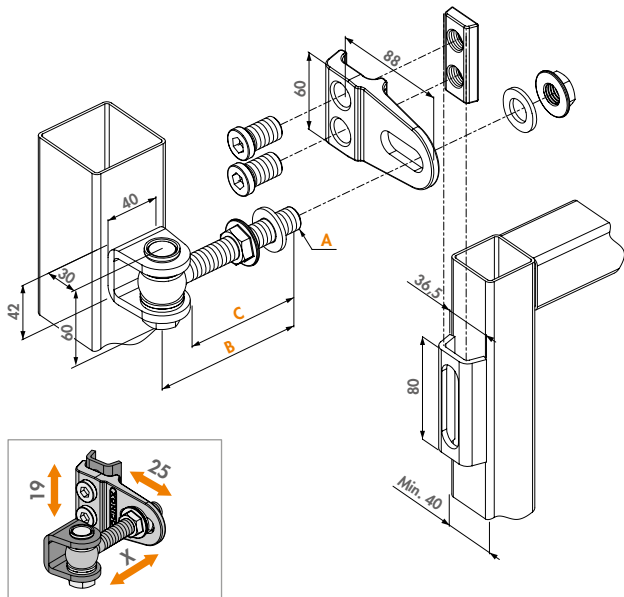
4-way adjustable, hot-dip galvanized 180° hinge. Depth and spacing between gate and post are adjustable after installation. No more left or right swinging gates in stock. Only one gate wing should be produced for both left and right turning gates. The welding parts are available in black steel or zinc plated.

Grip color options

ALUM 6005 6009 7016 9005 9010

Specifications

- ✓ 180° opening and closing angle
- ✓ Hot-dip galvanized eyebolt and Grip
- ✓ 500h salt spray resistant



Hinge parts



1001U
P. 122



KLAUW-
P. 123



GRIP16
P. 124



4DFIX-I
P. 123

Order codes & Dimensions

Welding parts in black steel (B)

GBMU4D16-B-110

Welding parts zinc plated (Z)

GBMU4D16-Z-110



200 kg

A

B

C

Eyebolt M16 Length 110 mm 85

GBMU4D16-B-150

GBMU4D16-Z-150

200 kg

Eyebolt M16 Length 150 mm 125



4-way adjustable 180° hinge

GBMU4D20 (Patented)

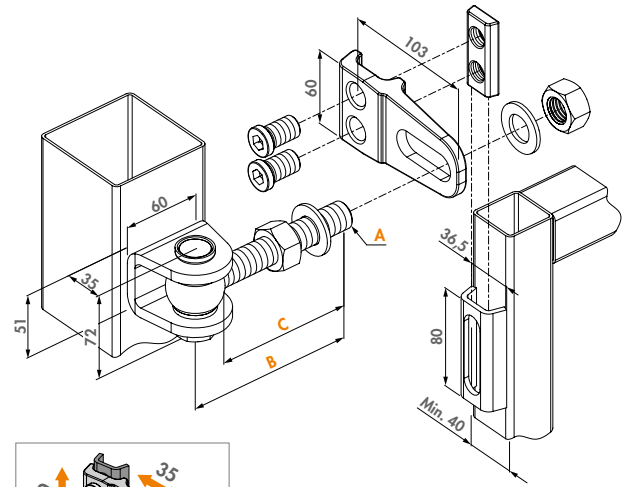
4-way adjustable, hot-dip galvanized 180° hinge. Depth and spacing between gate and post are adjustable after installation. No more left or right swinging gates in stock. Only one gate wing should be produced for both left and right turning gates. The welding parts are available in black steel or zinc plated.

Grip color options

ALUM 6005 6009 7016 9005

Specifications

- ✓ 180° opening and closing angle
- ✓ Hot-dip galvanized eyebolt and Grip
- ✓ 500h salt spray resistant



Hinge parts



1001U-B-20
P. 122



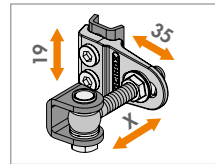
KLAUW-
P. 123



GRIP20
P. 124



4DFIX-I
P. 123



Order codes & Dimensions

Welding parts in black steel (B)

Welding parts zinc plated (Z)



A B C

GBMU4D20-B-130

GBMU4D20-Z-130

400 kg

Eyebolt M20 Length 130 mm 105

GBMU4D20-B-150

GBMU4D20-Z-150

400 kg

Eyebolt M20 Length 150 mm 115



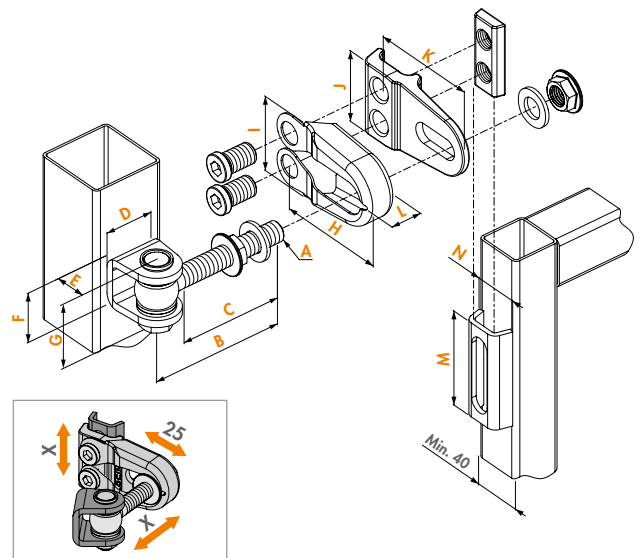
Vandal-proof 180° hinge with 4-way adjustment

GBMU4DSHIELD (Patented)

Vandal-proof hot-dip galvanized 180° hinge. This secured version of the GBMU4D16 hinge provides extra security since the eyebolt or cross bolt can not be tampered with. With the 4-way adjustment you no longer have to keep left or right turning gates in stock. Height & depth alignment and left/right turning direction, are individually adjustable.

Specifications

- ✓ 180° opening and closing angle
- ✓ Hot-dip galvanized eyebolt and Grip
- ✓ Vandal-proof Grip-shield included
- ✓ 500h salt spray resistant



Compatible hinge parts



1001U
P. 122



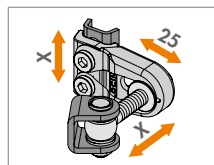
KLAUW-
P. 123



GRIP16
P. 124



4DFIX-I
P. 123



Order codes & Dimensions

Welding parts in black steel (B)

Welding parts zinc plated (Z)



A B C D E F G H I J K L M N

GBMU4DSHIELD-12-B-90

GBMU4DSHIELD-12-Z-90

100 kg

M12 90 70 35 24 31 47 88 56 50 85 24 70 37,5

GBMU4DSHIELD-16-B-110

GBMU4DSHIELD-16-Z-110

200 kg

M16 110 85 40 30 42 60 91 63 60 88 26 80 36,5



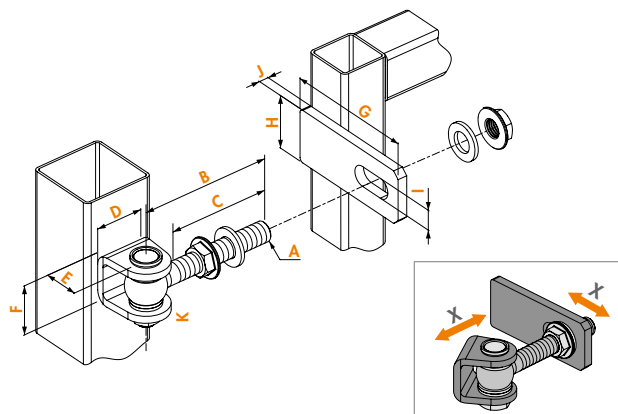
3-way adjustable 180° hinge

GBMU (Patented)

3-way adjustable hot-dip galvanized 180° hinge. Depth and spacing between gate and post are adjustable after installation. The welding parts are available in black steel or zinc plated.

Specifications

- ✔ Vandal-proof eyebolt & crossbolt
- ✔ 500h salt spray resistant



Order codes

Welding parts in black steel (B)	Welding parts zinc plated (Z)		A	B	C	D	E	F	G	H	I	J	K
GBMU-B-M12-90	GBMU-Z-M12-90	100 kg	M12	Length 90 mm	70	35	24	31	90	35	13	6	47
GBMU-B-M16-110	GBMU-Z-M16-110	200 kg	M16	Length 110 mm	85	40	30	42	110	45	17	8	60
GBMU-B-M16-150	GBMU-Z-M16-150	200 kg	M16	Length 150 mm	125	40	30	42	110	45	17	8	60
GBMU-B-M18-105	GBMU-Z-M18-105	250 kg	M18	Length 105 mm	80	50	30	42	120	50	19	8	62
GBMU-B-M18-150	GBMU-Z-M18-150	250 kg	M18	Length 150 mm	125	50	30	42	120	50	19	8	62
GBMU-B-M20-130	GBMU-Z-M20-130	400 kg	M20	Length 130 mm	105	60	35	51	130	60	21	12	72
GBMU-B-M20-150	GBMU-Z-M20-150	400 kg	M20	Length 150 mm	115	60	35	51	130	60	21	12	72
GBMU-B-M22-145	GBMU-Z-M22-145	440 kg	M22	Length 145 mm	115	60	35	51	130	60	23	12	74
GBMU-B-M22-160	GBMU-Z-M22-160	440 kg	M22	Length 160 mm	130	60	35	51	130	60	23	12	74

Hot-dip galvanized eyebolt set

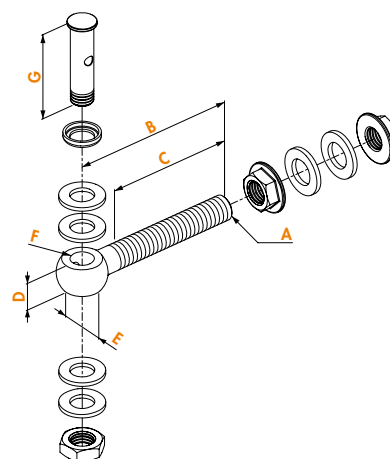
1034HDGA- (Patented)

Eyebolt set hot-dip galvanized. Vandal-proof.



Specifications

- ✔ Hot-dip galvanized bearing eyebolt, transverse bolt and screws
- ✔ Stainless steel ring (6 x DIN125A)
- ✔ Vandal-proof
- ✔ 500h salt spray resistant



Order codes

	A	B	C	D	E	F	G
1034HDGA-M12-90	M12	Length 90 mm	70	14	24	∅12,5	47
1034HDGA-M16-110	M16	Length 110 mm	85	19	31	∅14,5	60
1034HDGA-M16-150	M16	Length 150 mm	125	19	31	∅14,5	60
1034HDGA-M18-105	M18	Length 105 mm	80	20	36	∅16,5	62
1034HDGA-M18-150	M18	Length 150 mm	125	20	36	∅16,5	62
1034HDGA-M20-130	M20	Length 130 mm	105	22	40	∅18,5	72
1034HDGA-M20-150	M20	Length 150 mm	115	22	40	∅18,5	72
1034HDGA-M22-145	M22	Length 145 mm	115	24	42	∅20,5	74
1034HDGA-M22-160	M22	Length 160 mm	130	24	42	∅20,5	74



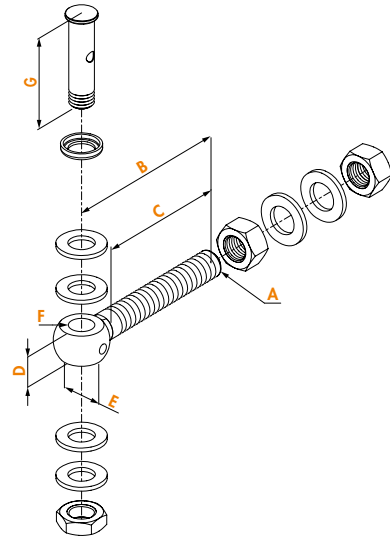
Corrosion-resistant and vandal-proof eyebolt set

1034A2-

Corrosion-resistant and vandal-proof eyebolt set in stainless steel.

Specifications

- ✔ M 16 Eyebolt set in stainless steel, including: eyebolt, cross bolt, nuts and washers
- ✔ Vandal-proof
- ✔ 500h salt spray resistant



Order code

1034A2-M16-110-50

A	B	C	D	E	F	G
M16	Length 110 mm	85	19	31	Ø14,5	60



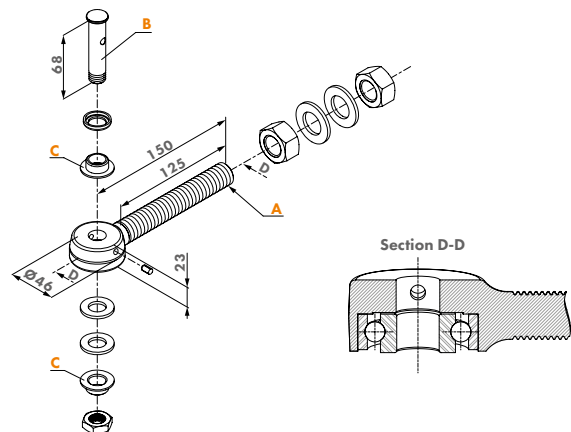
Hot-dip galvanized bearing eyebolt for 3D and 4D hinges

1034ROLL-HDG-

This bearing eyebolt can be integrated in every GBMU M16 and M20 hinge. It guarantees a very flexible opening and closing of your gates. Perfect combination with Locinox gate closers. Resistant to vandalism.

Specifications

- ✔ Recommended combination with Locinox gate closers
- ✔ Hot-dip galvanized bearing eyebolt, transverse bolt and screws
- ✔ Stainless steel ring (6 x DIN125A)
- ✔ Dual sealed stainless steel bearing
- ✔ Vandal-proof
- ✔ 500h salt spray resistant



Order codes

1034ROLL-HDG-M16

1034ROLL-HDG-M20

A	B	C
Eyebolt M16	Crossbolt Ø14 mm	
Eyebolt M20	Crossbolt Ø14 mm	Ø19 => Ø14





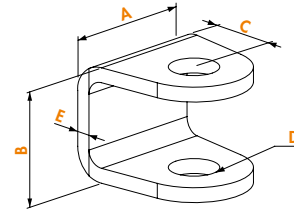
U-shaped ear plate

1001U

U-shaped ear plate for 180° hinges. Compatible with GBMU / GBMU4D16 / GBMU4D20 / GBMU4DSHIELD hinges.

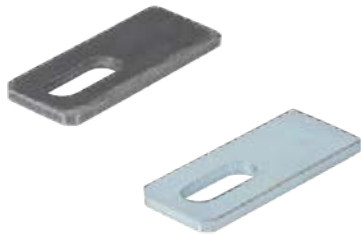
Specifications

- ✓ U-shaped ear plate to weld on in black steel or zinc plated



Order codes

Black steel (B)	Zinc plated (Z)	A	B	C	D	E
1001U-B-12	1001U-Z-12	35	31	24	Ø13	4
1001U-B-16	1001U-Z-16	40	42	30	Ø15	6
1001U-B-18	1001U-Z-18	40	42	30	Ø17	6
1001U-B-20	1001U-Z-20	60	51	35	Ø19	8
1001U-B-22	1001U-Z-22	60	51	35	Ø21	8



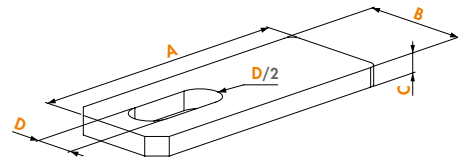
Groove plate

1002M

Groove plate to weld on for 180° hinges. Compatible with GBMU hinge.

Specifications

- ✓ Black steel or zinc plated groove plate to weld on



Order codes

Black steel (B)	Zinc plated (Z)	A	B	C	D
1002M-B-12	1002M-Z-12	90	35	6	13
1002M-B-16	1002M-Z-16	110	45	8	17
1002M-B-18	1002M-Z-18	120	50	8	19
1002M-B-20	1002M-Z-20	130	60	12	21
1002M-B-22	1002M-Z-22	130	60	12	23



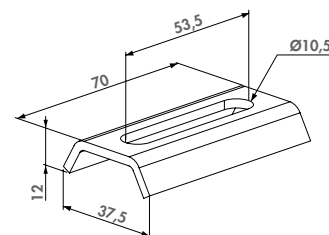
Gate Claw

KLAUW12

Black steel or zinc plated gate claw to weld on. Compatible with GBMU4DSHIELD-12.

Specifications

- ✓ Gate claw in black steel



Order codes

Black steel (B)	Zinc plated (Z)	Compatible with GRIP12 & 4DFIX-I-12
KLAUW12-B	KLAUW12-Z	



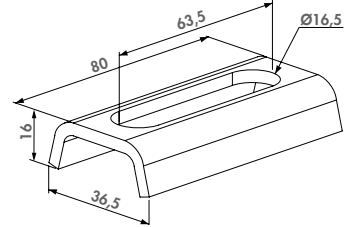
Gate Claw

KLAUW-

Black steel or zinc plated welding part for a precise, strong and aesthetic connection to min. 40 mm profiles. Compatible with GBMU4D16, GBMU4D20 and Bearing Hinge.

Specifications

- ✔ Gate claw in black steel or zinc plated



Order codes

Black steel (B)

Zinc plated (Z)

KLAUW-B

KLAUW-Z

Compatible with GRIP16, GRIP20 & 4DFIX-I



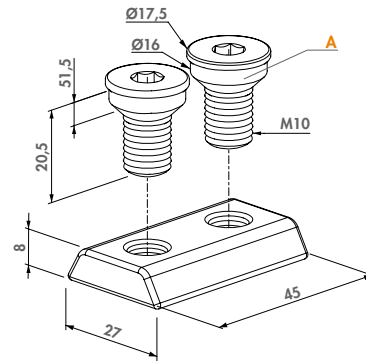
Claw nut and bolts for 4D hinges

4DFIX-I-12

Hot-dip galvanized claw nut with stainless steel M10 bolts. Part of the GBMU4D12 hinge.

Specifications

- ✔ Claw nut hot-dip galvanized
- ✔ 2 stainless steel bolts M10 x 20,5 mm
- ✔ Component of the GBMU4DSHIELD12 hinge



Order code

4DFIX-I-12

A
Bolts: M10x20,5 mm (2x)



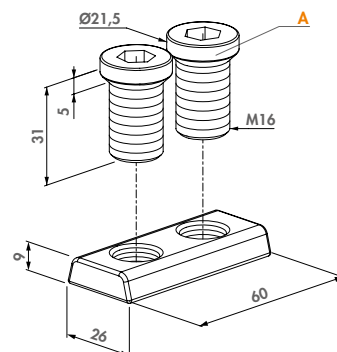
Claw nut and bolts for 4D hinges

4DFIX-I

Hot-dip galvanized claw nut with stainless steel M16 bolts. Part of the GBMU4D16 and 20 hinge.

Specifications

- ✔ Claw nut hot-dip galvanized
- ✔ 2 bolts M16 x 32 mm in stainless steel
- ✔ Component of the GBMU4D16 and GBMU20 hinges



Order code

4DFIX-I

A
Bolts: M16x32 mm (2x)



Fixation grip for hinge GBMU4D12

GRIP12

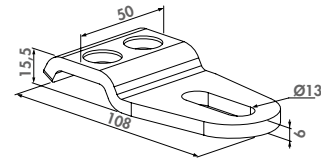
Fixation grip for hinge GBMU4D12

Color options

ALUM 6005 6009 7016 9005

Specifications

- ✔ Hot-dip galvanized steel



Order code

GRIP12

Compatible eyebolt set: 1034HDGA-M12-90



Fixation grip for hinge GBMU4D16

GRIP16

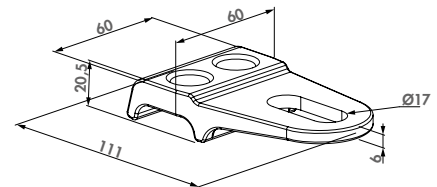
Fixation grip for hinge GBMU4D16

Color options

ALUM 6005 6009 7016 9005

Specifications

- ✔ Hot-dip galvanized steel
- ✔ Available in different colours



Order code

GRIP16

Compatible eyebolt set: 1034HDGA-M16 or 1034ROLL-M16



NEW Fixation grip for hinge GBMU4D16 with larger depth adjustment

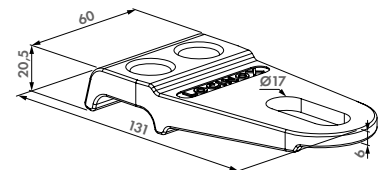
GRIP16-L-

This extra long GRIP out of hot-dip galvanized steel allows you to center mount a gate on a fixed post from 70 mm up to 120 mm. For GBMU4D16 hinge only.

ALUM

Specifications

- ✔ Hot-dip galvanized steel
- ✔ Only to be used with GBMU4D16 hinge



Order code

GRIP16-L-

Compatible eyebolt set: 1034HDGA-M16 or 1034ROLL-M16



Fixation grip for hinge GBMU4D20

GRIP20

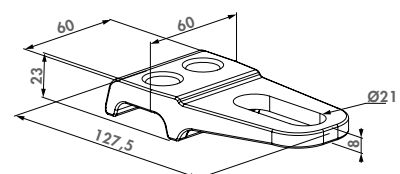
Fixation grip for hinge GBMU4D20

Color options

ALUM 6005 6009 7016 9005

Specifications

- ✔ Hot-dip galvanized steel
- ✔ Available in different colours



Order code

GRIP20

Compatible eyebolt set: 1034HDGA-M20

Vandal-proof one way 90° hinge

G90Z (Patented)



Vandal-proof hot-dip galvanized 90° hinge. This secured hinge is the perfect solution for all your small industrial gates. The eyebolt can not be tampered with when the gate is closed.

Specifications

- ✓ 90° opening
- ✓ Nut in black steel for welding
- ✓ Earplate in black steel or cold zinc plated
- ✓ Vandal-proof
- ✓ 500h salt spray resistant

Hinge parts



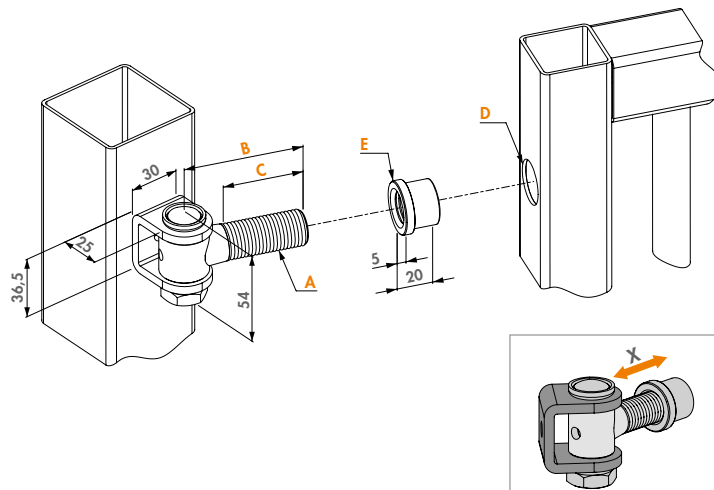
1036
P. 127



1039SET
P. 126



1127
P. 127



Order codes

Welding parts in black steel (B)		Welding parts zinc plated (Z)		kg	A	B	C	D	E
G90Z-B-M16-65	G90Z-Z-M16-65	150	M16	65 mm	47	Ø21	Ø25,5		
G90Z-B-M16-110	G90Z-Z-M16-110	150	M16	110 mm	92	Ø21	Ø25,5		
G90Z-B-M16-150	G90Z-Z-M16-150	150	M16	150 mm	132	Ø21	Ø25,5		
G90Z-B-M20-67	G90Z-Z-M20-67	300	M20	67 mm	45	Ø25	Ø29,5		
G90Z-B-M20-150	G90Z-Z-M20-150	300	M20	150 mm	128	Ø25	Ø29,5		

Vandal-proof one way 90° hinge with adjustable welding nut

G90LR (Patented)



Vandal-proof hot-dip galvanized 90° hinge. This hinge is the perfect solution for all your small industrial gates. The eyebolt can not be tampered with when the gate is closed. With the LR welding nut you can easily adjust the hinge.

Specifications

- ✓ 90° opening
- ✓ Adjustable nut zinc plated
- ✓ Zinc-plated earplate
- ✓ Vandal-proof
- ✓ 500h salt spray resistant

Hinge parts



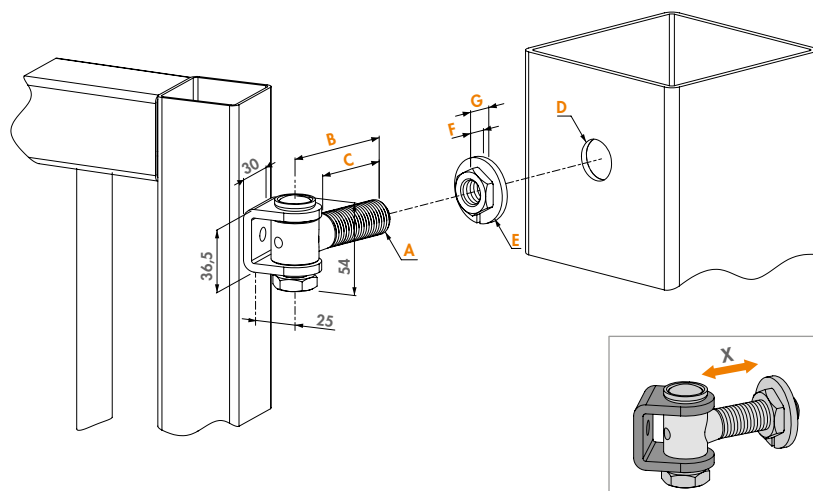
1036-Z
P. 127



1039SET
P. 126



LR
P. 130



Order codes

Welding parts zinc plated (Z)		kg	A	B	C	D	E	F	G
G90LR-Z-M16-65	150	M16	Length 65 mm	47	Ø26	Ø38	10	14,5	
G90LR-Z-M16-110	150	M16	Length 110 mm	92	Ø26	Ø38	10	14,5	
G90LR-Z-M16-150	150	M16	Length 150 mm	132	Ø26	Ø38	10	14,5	
G90LR-Z-M20-67	300	M20	Length 67 mm	45	Ø32	Ø46	11	17,5	
G90LR-Z-M20-150	300	M20	Length 150 mm	128	Ø32	Ø46	11	17,5	



Vandal-proof one way 90° hinge with adjustable steel wall plate

G90WP (Patented)

Vandal-proof hot-dip galvanized 90° hinge. This secured hinge is the perfect solution for all your small and medium-sized gates. The eyebolt can not be tampered with when the gate is closed. Thanks to the wall plate with adjustable nut you can easily adjust the hinge.

Specifications

- ✓ 90° opening
- ✓ Wall plate with adjustable nut
- ✓ Black steel ear plate for welding
- ✓ Vandal-proof
- ✓ 500h salt spray resistant

Hinge parts



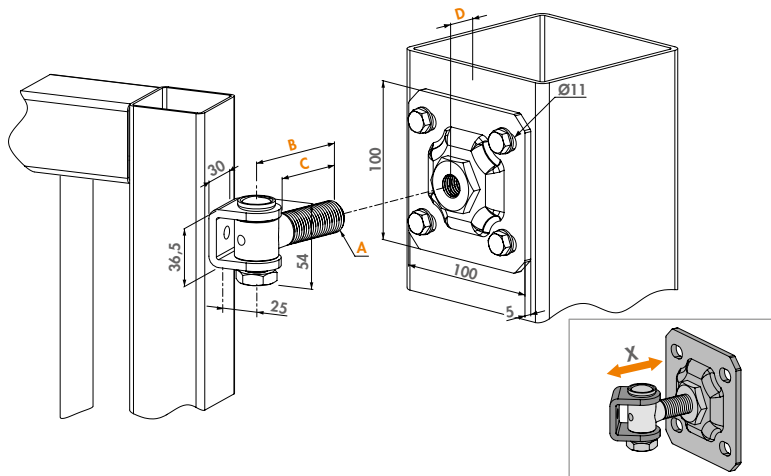
1036-B
P. 127



1039SET
P. 126



1005WP
P. 130



Order codes

Welding parts in black steel (B)

	kg	A	B	C	D
G90WP-B-M16-65	150	M16	Length 65 mm	47	19
G90WP-B-M16-110	150	M16	Length 110 mm	92	19
G90WP-B-M16-150	150	M16	Length 150 mm	132	19
G90WP-B-M20-67	300	M20	Length 67 mm	45	20
G90WP-B-M20-150	300	M20	Length 150 mm	128	20



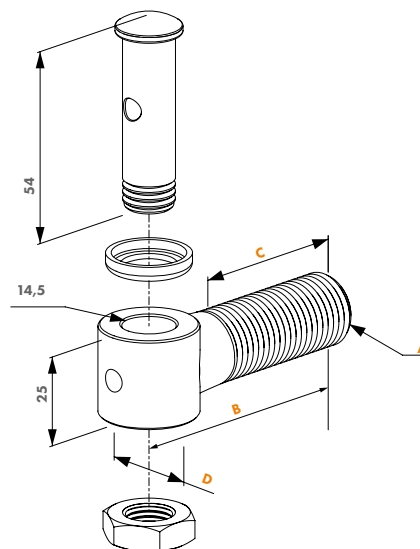
Eyebolt set for earplate 1036

1039SET (Patented)

Eyebolt set for earplate 1036

Specifications

- ✓ Eyebolt and hot-dip galvanized bolt
- ✓ 500h salt spray resistant



Order codes

Hot-dip galvanized eyebolt set

	A	B	C	D
1039SET-M16-65	M16	Length 65 mm	47	23
1039SET-M16-110	M16	Length 110 mm	92	23
1039SET-M16-150	M16	Length 150 mm	132	23
1039SET-M20-67	M20	Length 67 mm	45	27
1039SET-M20-150	M20	Length 150 mm	128	27



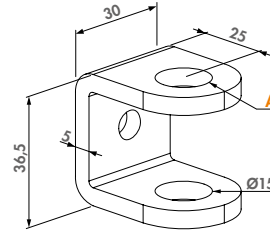
Earplate for eyebolt 1039SET

1036

Earplate for hinge 1039SET

Specifications

- ✓ U-shaped ear plate to weld on in black steel or zinc plated
- ✓ Compatible with eyebolt set 1039SET-M 16 and M20



Order codes

Black steel (B)

Zinc plated (Z)

A

1036-B

1036-Z

For crossbolt Ø14 mm



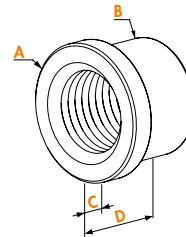
Weld nut

1127

M16 or M20 weld nut

Specifications

- ✓ Compatible with eyebolt set 1039SET
- ✓ Black steel for welding



Order codes

For eyebolt

1127-M16

1127-M20

A	B	C	D
Ø25,5	Ø20,8	5	20
Ø29,5	Ø24,8	5	20





Ornamental hinge set with wall plate

G-ORNA-WP

Hot-dip galvanized hinge set including greaser and wall plate with adjustable nut for ornamental gates.

Specifications

- ✓ Ornamental hinge set
- ✓ Black steel or zinc plated welding base
- ✓ Hot-dip galvanized wall plate
- ✓ Hot-dip galvanized clamp hinge with stainless steel bolt
- ✓ Welding base 35x35 mm, M20 clamp hinge

Hinge parts



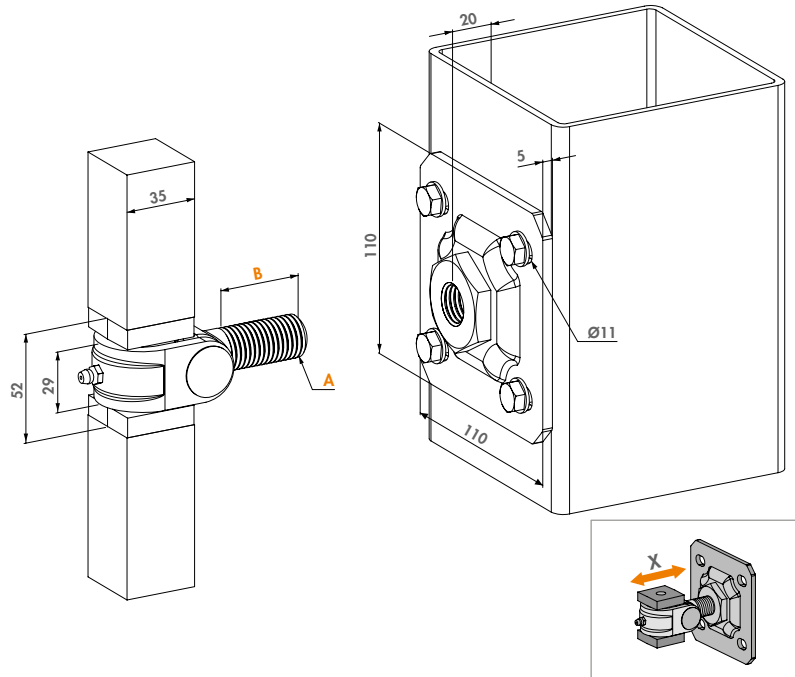
1002B
P. 129



1004ORNA
P. 129



1005WP-M20
P. 130



Order codes

Welding block in black steel (B)

G-ORNA-WP-B-M20



300 kg

A

M20

B

Length 40 mm

Ornamental hinge set

G-ORNA-LR

Hot-dip galvanized hinge set including greaser and adjustable nut for ornamental gates.



Specifications

- ✓ Ornamental hinge set
- ✓ Black steel or zinc plated welding base
- ✓ Zinc plated adjustable nut
- ✓ Hot-dip galvanized clamp hinge with stainless steel bolt

Hinge parts



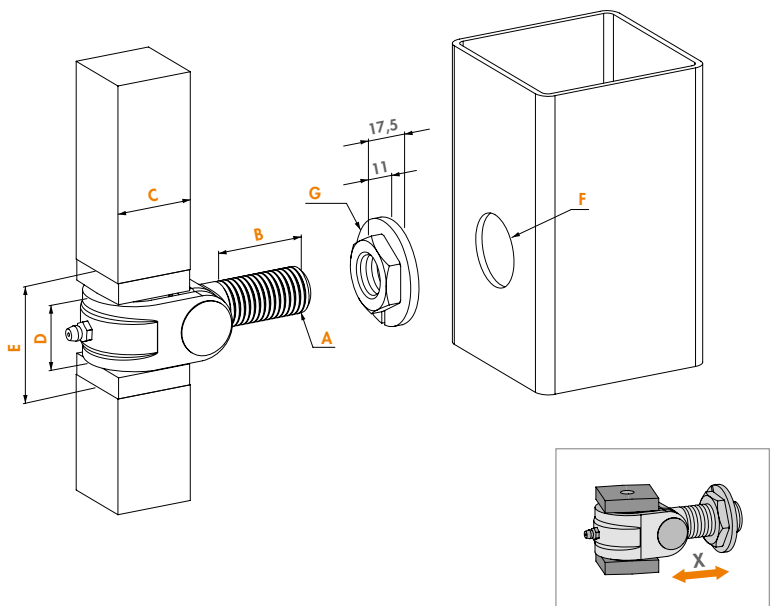
1002B
P. 129



1004ORNA
P. 129



LR
P. 130



Order codes

Welding block in black steel (B)

G-ORNA-LR-B-M20

G-ORNA-LR-Z-M20



300 kg

A

M24

B

Length 45 mm

C

Welding base 40

D

34

E

57

F

Ø35

G

Ø50

G-ORNA-LR-B-M27

500 kg

M27

Length 60 mm

Welding base 50

39

62

Ø38

Ø53



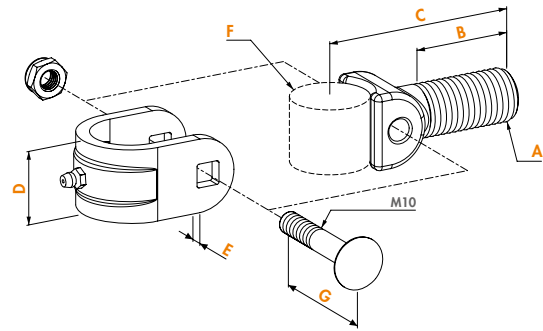
Clamp hinge

1004ORNA

Hot-dip galvanized clamp hinge.

Specifications

- ✔ Hot-dip galvanized clamp hinge with stainless steel bolt



Order codes

1004ORNA-M20

1004ORNA-M24

1004ORNA-M27

	A	B	C	D	E	F	G
M20	Length 40 mm	81	29	6	Ø30	55	
M24	Length 45 mm	89	34	6	Ø35	60	
M27	Length 65 mm	106	39	6	Ø40	65	



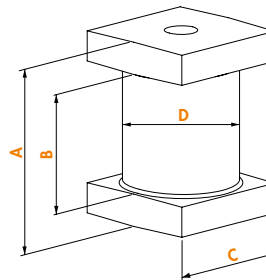
Welding block for ornamental hinge

1002B

Black steel plated welding block for ornamental clamp hinges.

Specifications

- ✔ Black steel plated welding base



Order codes

Black steel (B)

1002B-B-35

1002B-B-40

1002B-B-50

	A	B	C	D
35	52	32	35	Ø30
40	57	37	40	Ø35
50	62	42	50	Ø40





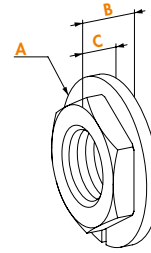
Adjustable nut

LR

Zinc plated adjustable welding nut for ornamental gates. With this system you can finetune your installed gate.

Specifications

- ✔ Adjustable welding nut, zinc-plated



Order codes

	A	B	C
LR-M16	Ø38	15,5	10,5
LR-M20	Ø46	17,5	11
LR-M24	Ø50	17,5	11
LR-M27	Ø53	17,5	11

Wall plate hot-dip galvanized

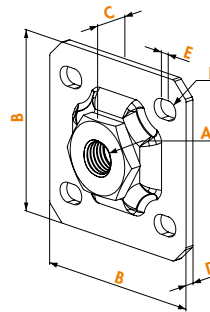
1005WP

Hot-dip galvanized wall plate with adjustable nut for garden gate hinges.



Specifications

- ✔ Steel wallplate hot dip galvanized



Order codes

	A	B	C	D	E	F
1005WP-M12	M12	60	15	3	5	Ø7
1005WP-M16	M16	100	19	5	5	Ø11
1005WP-M20	M20	100	20	5	5	Ø11





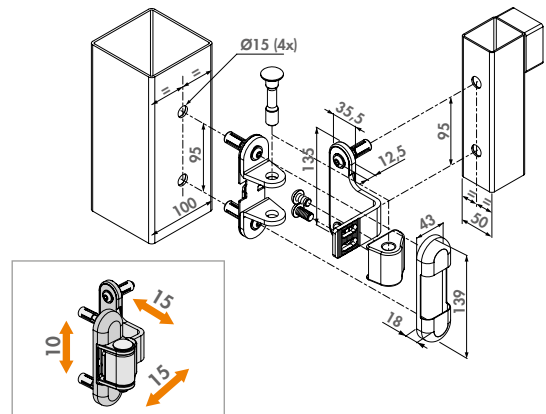
3-way adjustment hinge

3DM (Patented)

Stainless steel hinge for aluminium/metal gates equipped with the fast Quick-Fix system. The hinge is adjustable in three dimensions: height, left/right alignment and swing direction. Also available with hot-dip galvanized arm.

Specifications

- ✓ 180° hinge for metal & aluminium gates
- ✓ Innovative Quick-Fix mounting
- ✓ Reversible for left/right swinging gates
- ✓ 15 mm adjustable in width, 10 mm in height and 15 mm in depth
- ✓ Vandal-proof
- ✓ Hinge socket, axle and socket cover plate in stainless steel



Order codes

Hinge arm in stainless steel
3DM-VP100-P50-A2

Hinge arm in hot-dip galvanized steel
3DM-VP100-P50-HDG

 150 kg

A
For Quick-Fix Ø15 mm



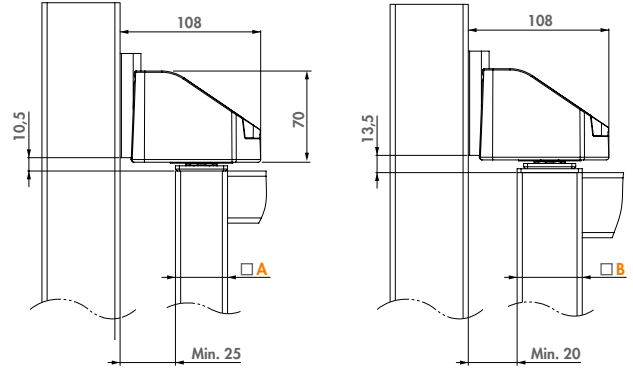
Adjustable 90° hinge with bearing

BEARING HINGE

Stainless steel maintenance free bearing hinge for mounting on all your automated gate projects. The hinge is adjustable in height and width.

Specifications

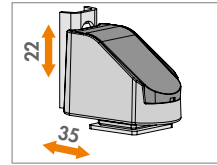
- ✓ Specially developed for automated gates
- ✓ Stainless steel housing
- ✓ Equipped with a stainless steel bearing
- ✓ Can be used as top & bottom hinge



Hinge part



KLAUW-
P. 123



Order code

BEARING HINGE

200 kg Gate frame 40x40 mm 50x50 mm



180° double bearing hinge

DINO

The Dino hinge is a double bearing hinge in an aluminium housing. The stainless steel bearings guarantee a smooth opening and closing of the gate. Easy to install with Quick-Fix.

Color options

ZILV 9005

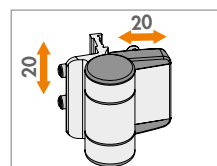
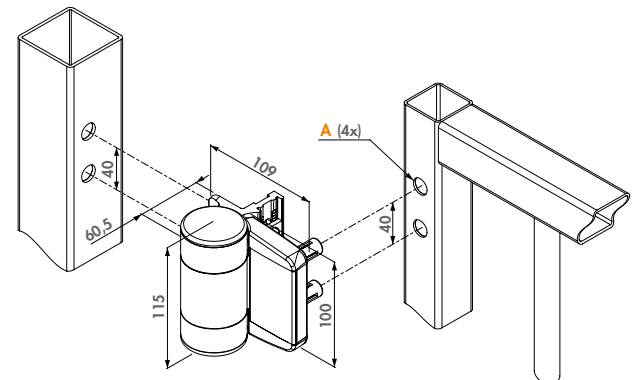
Specifications

- ✓ Aesthetic design & powder coated aluminium housing
- ✓ Fixing: Anti-theft & vandal-proof
- ✓ Fast and easy fixing with Quick-Fix

Compatible gate closer



MAMMOTH-180
P. 16



Order code

DINO

150 kg For Quick-Fix Ø15 mm

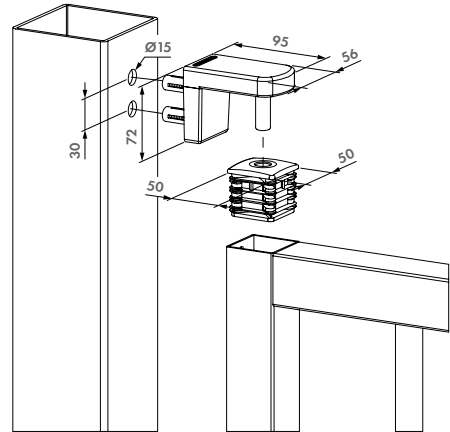
Compact, 2-way 90° hinge interchangeable with Interio gate closer NOSEHINGE-I



Adjustable and compact 90° hinge interchangeable with our invisible Interio gate closer over time. The inner parts are made out durable extruded aluminium and guarantee thus a long life span. Easy installation guaranteed thanks to our patented Quick-Fix bolts. Given its sleek and aesthetic design, Nosehinge is a perfect fit for residential gates. For 50 mm gate frames only.

Specifications

- ✔ Made out of extruded aluminum parts with plastic covers
- ✔ Easy to fix with Quick-Fix
- ✔ For left & right turning gates
- ✔ Interchangeable with Interio gate closer
- ✔ 15 mm width adjustable and 25 mm depth adjustable
- ✔ Includes two hinges, one for bottom and one for top
- ✔ Includes DURA-5050 gate plug for 50 mm gate frames
- ✔ Max width of the gate: 2500 mm
- ✔ Max weight of the gate: 120 kg



Order code

NOSEHINGE-I

Gate frame 50x50 mm





Hinges for
industrial gates

Vandal-proof 4D-hinge for wooden gates

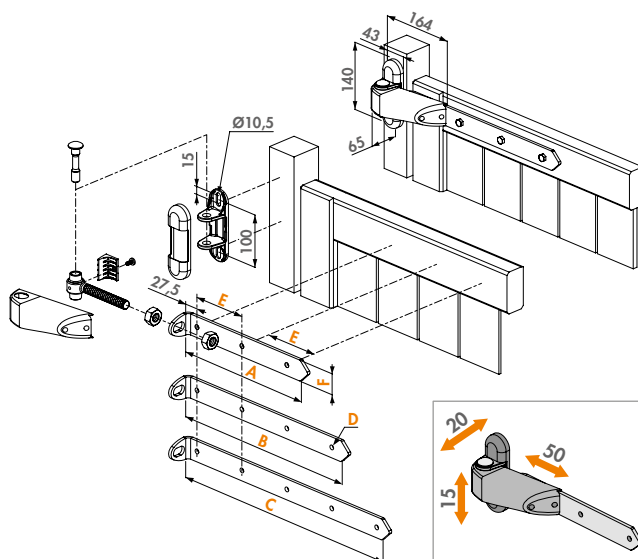
4DW (Patented)



Aesthetic, vandal proof hinge for wooden gates. The stainless steel hinge can be adjusted in 4 dimensions. Height, depth, left / right alignment and rotational direction can be adjusted. Adjustments can be made after installing the hinges. This way your gate is always perfectly aligned.

Specifications

- ✔ 180° hinge for wooden gates
- ✔ Adjustable in 4 dimensions: height, depth, left / right alignment and rotational direction
- ✔ ± 50 mm longitudinal adjustability
- ✔ 20 mm depth adjustability (14 mm outside and 6 mm inside of fixed pole)
- ✔ Vandal-proof
- ✔ Available with 300, 400 or 500 mm stainless steel hinge arm
- ✔ Perfect in combination with the H-Wood lock and SHKW keep



Order codes

Hinge arm in stainless steel	kg	A	B	C	D	E	F
4DW-300-A2	150	Length 300 mm			Ø9 (3x)	110	40
4DW-400-A2	150		Length 400 mm		Ø9 (4x)	110	40
4DW-500-A2	150			Length 500 mm	Ø9 (5x)	110	40

180° 3-way adjustment hinge for wooden gates

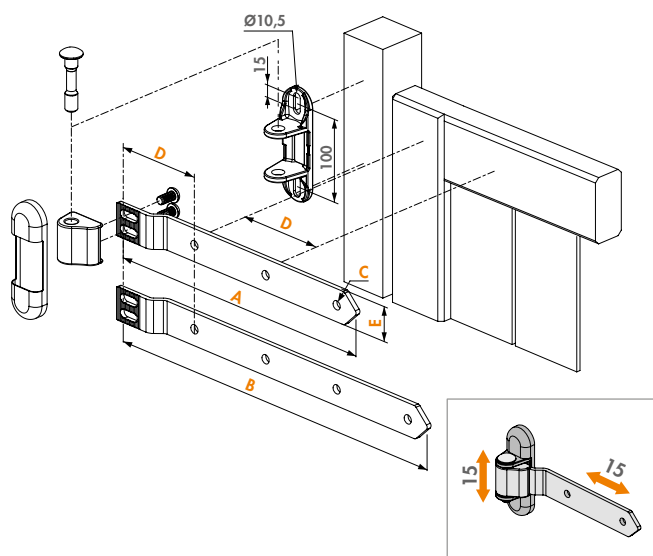
3DW (Patented)



Stainless steel hinge for wooden gates. The hinge is adjustable in three dimensions: height, left/right alignment and swing direction. Also available with hot-dip galvanized arm.

Specifications

- ✔ 180° hinge for wooden gates
- ✔ Reversible for left/right swinging gates
- ✔ Vandal-proof
- ✔ Hinge socket, axle and socket cover plate in stainless steel



Order codes

Hinge arm in stainless steel	Hinge arm in hot-dip galvanized steel	kg	A	B	C	D	E
3DW-350-A2	3DW-350-HDG	350	Length 350 mm			Ø11 (3x)	110 40
	3DW-450-HDG	350		Length 450 mm		Ø11 (4x)	110 40



Compact 2-way adjustable 180° surface mounted hinge

PUMA

The Puma hinge is a compact surface mounted hinge with a powder coated aluminium housing. Its 180° opening angle together with its vertical and horizontal adjustability make the hinge flexible. Simple to install thanks to the Quick-Fix fastening system; no welding needed. This hinge easily supports gates up to 1 metre wide and 60 kg. The Puma hinge's aesthetic design perfectly fits aluminium and smaller residential gates.

Color options

ZILV 9005

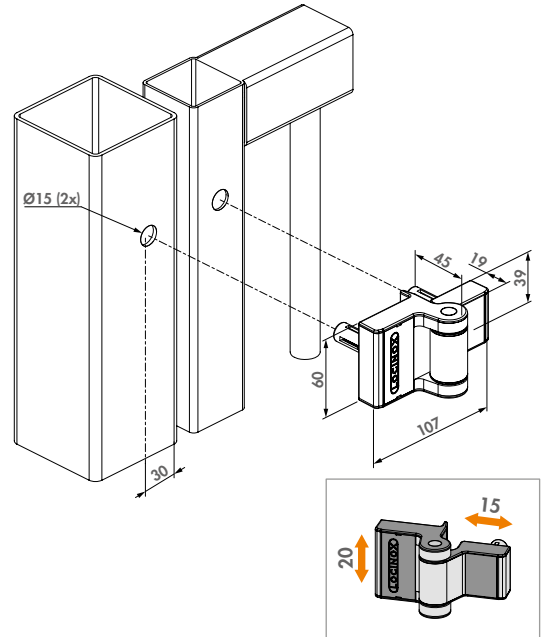
Specifications

- ✓ For gates up to 1 m wide and 60 kg
- ✓ For left and right opening gates
- ✓ 15 mm adjustable in width and 20 mm in height
- ✓ No welding required: drill holes and fix with Quick-Fix

Compatible with TIGER gate closer



TIGER
P. 15



Order code

PUMA

60 kg 2 x Quick-Fix

Spring hinge for garden gates

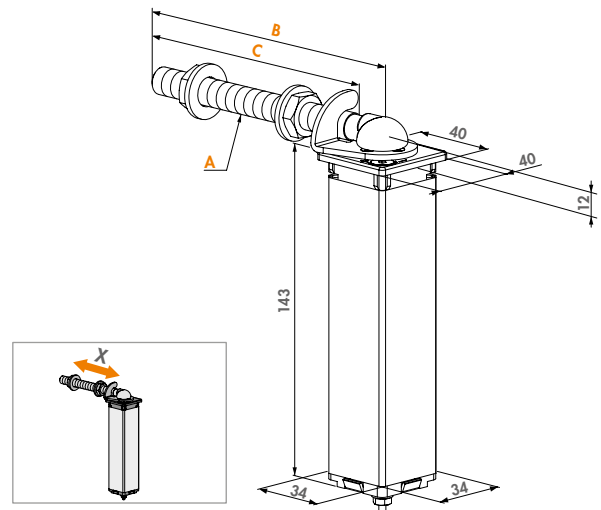
SWING40 (Patented)



Spring hinges for garden gates and pedestrian gates. The set can easily be fitted inside a 40x40 mm tubing. The force can be adjusted by means of an Allen key.

Specifications

- ✓ One for the top, one for the bottom
- ✓ Fixing: slides in gate frame
- ✓ Only for gate frames 40x40/2 mm
- ✓ Reversible: left/right
- ✓ Adjustable spring tension: M3 allen key
- ✓ Maximum width of the gate: 1300 mm
- ✓ Maximum weight: 75 kg



Order codes

Hangerbolt length	kg	A	B	C
SWING40-130	75	M12	Length 130 mm	110
SWING40-150	75	M12	Length 150 mm	130





Hinge set with polyamide plugs for garden gates

GBM12

Stainless steel garden gate hinge set. The set consists of 2 threaded M12 hinge axles with polyamide hinge plugs. The economical quality solution for all your garden/walk gate projects.

Specifications

- ✓ Hinge axle M12 in stainless steel
- ✓ Plug available for profile 30x30 mm or 40x40 mm
- ✓ Length of the threaded axle: 130 mm or 150 mm
- ✓ Fixing: slide in plug

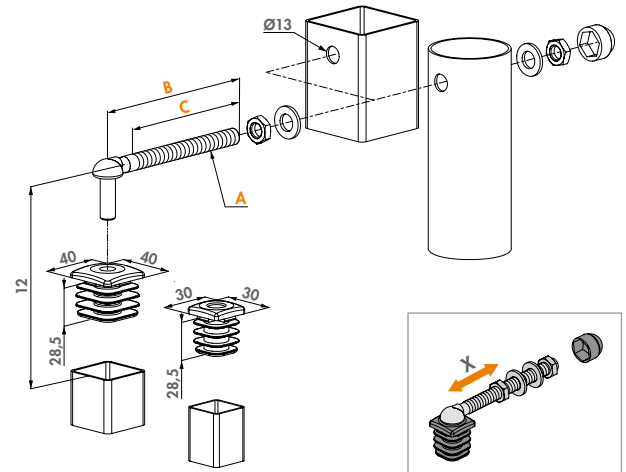
Hinge part



1040TPS-M12-
P. 141

Order codes

For square profiles 30 x 30 mm	For square profiles 40 x 40 mm	kg	A	B	C
GBM12-30-130	GBM12-40-130	60 kg	M12	Length 130 mm	110
GBM12-30-150	GBM12-40-150	60 kg	M12	Length 150 mm	130



Hinge set with aluminium plugs for garden gates

GBM12-DP (Patented)

Stainless steel garden gate hinge set with reinforced aluminium plugs for extra stability. The economical quality solution for all your garden/walk gate projects.

Specifications

- ✓ Hinge set with aluminium reinforced hinge post plugs
- ✓ Hinge axle M12 in stainless steel
- ✓ Plug available for profile 40x40 mm
- ✓ Length of the threaded axle: 130 mm or 150 mm
- ✓ Fixing: slide in plug

Hinge parts

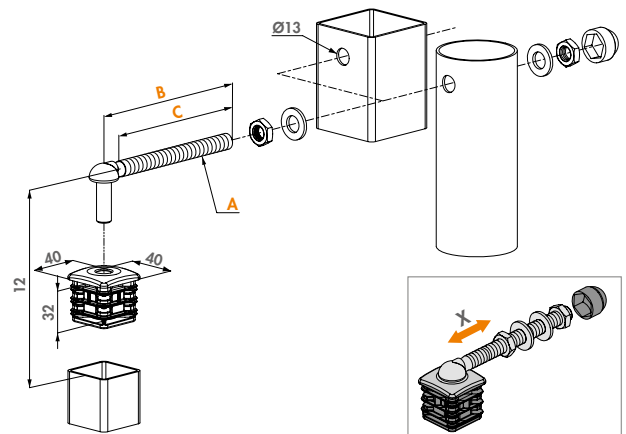


1040TPS-M12-
P. 141

DURA
P. 140

Order codes

Hangerbolt length	kg	A	B	C
GBM12-DP-40-130	75 kg	M12	Length 130 mm	110
GBM12-DP-40-150	75 kg	M12	Length 150 mm	130



Hinge set with polyamide plugs for garden gates

GBM 16



Hot-dip galvanized hinge set. The set consist of 2 threaded M 16 hinge axes with polyamide hinge plugs. The economical quality solution for all your garden/walk gate projects.

Specifications

- ✔ With plastic hinge plug 40x40 mm
- ✔ Hinge axle M 16 in hot-dip galvanized steel
- ✔ Length of the threaded axle: 160 mm or 180 mm
- ✔ Fixing: slide in plug

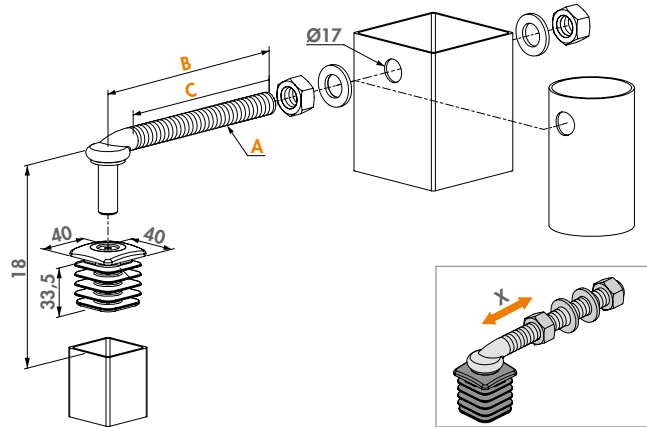
Hinge part



1040HDSM16-
P. 141

Order codes

Hangerbolt length		A	B	C
GBM16-40-160	75 kg	M16	Length 160 mm	135
GBM16-40-180	75 kg	M16	Length 180 mm	155



Hinge set with aluminium plugs for garden gates

GBM 16-DP (Patented)



Hot-dip galvanized steel garden gate hinge set with reinforced aluminium plugs for extra stability. The economical quality solution for all your garden/walk gate projects.

Specifications

- ✔ Hinge set with aluminium reinforced hinge post plugs
- ✔ Hinge axle M 16 in hot-dip galvanized steel
- ✔ Plug available for profile 40x40 mm or 50x50 mm
- ✔ Length of the threaded axle: 160 mm or 180 mm
- ✔ Fixing: slide in plug

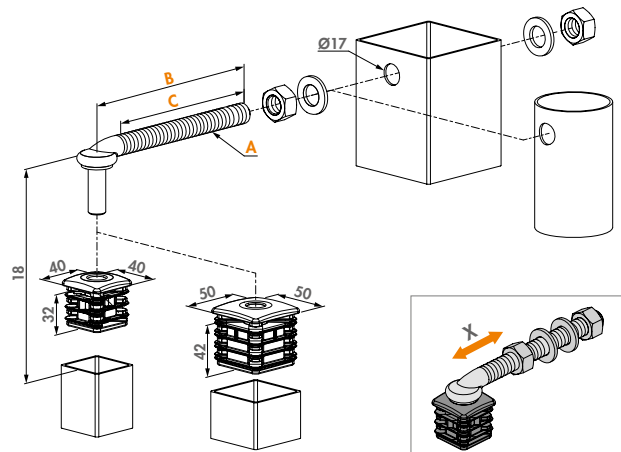
Hinge parts



1040HDSM16- DURA
P. 141 P. 140

Order codes

For square profiles 40 x 40 mm	For square profiles 50 x 50 mm		A	B	C
GBM16-DP-40-160	GBM16-DP-50-160	100 kg	M16	Length 160 mm	135
GBM16-DP-40-180	GBM16-DP-50-180	100 kg	M16	Length 180 mm	155





Hinge set for garden gates

GAM 12

Stainless steel garden gate hinge set. The set consists of 2 threaded M12 hinge axles with 2 black steel welding ears. The economical quality solution for all your garden/walk gate projects.

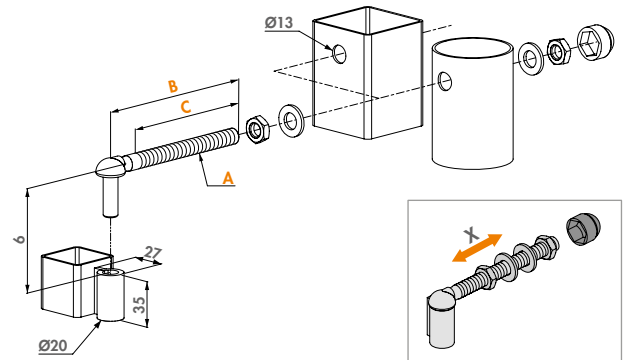
Specifications

- ✓ Hinge axle M12 in stainless steel
- ✓ Length of the threaded axle: 130 mm or 150 mm
- ✓ Welding ear in black steel

Hinge parts



1040TPS-M12- P. 141 1041-01 P. 140



Order codes

Hangerbolt length	kg	A	B	C
GAM12-130	100 kg	M12	Length 130 mm	110
GAM12-150	100 kg	M12	Length 150 mm	130



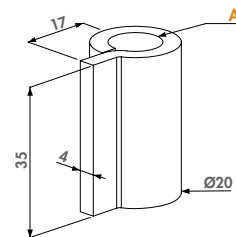
Welding ear in black steel

1041-01

Welding ear in black steel. Compatible with hinge axle 1040TPS-M12. Just weld on the ear to your gate and it's ready for coating. A basic hinge solution for your small garden gates.

Specifications

- ✓ Component of the GAM 12 hinge



Order code

1041-01

A
For hangerbolt axle Ø12



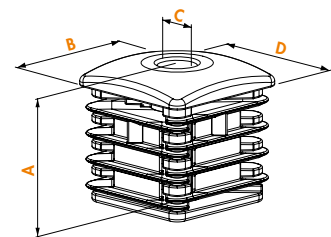
Aluminium reinforced post plug for hinges

DURA (Patented)

Hinge plug reinforced with aluminium for extra stability.

Specifications

- ✓ Aluminium reinforced hinge plug



Order codes

For 1040-TPS-M12	For 1040-HDS-M16	A	B	C	D
DURA-4040-12	DURA-4040-16	32	40	Ø11/Ø14	40
	DURA-5050-16	47	50	Ø14	50



Stainless steel hinge axle M12

1040TPS-M12-

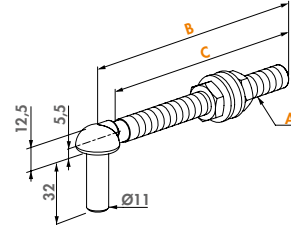
Stainless steel hinge axle M12. Available in 2 versions: 130 or 150 mm.

Specifications

- ✔ Stainless steel M12 hangerbolt

Order codes

Hangerbolt length	A	B	C
1040TPS-M12-130	M12	Length 130 mm	110
1040TPS-M12-150	M12	Length 150 mm	130



Hot-dip galvanized hinge axle M16

1040HDSM16-

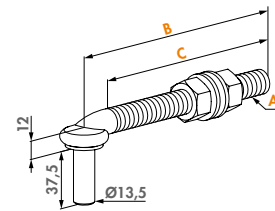
Hot-dip galvanized hinge axle M16. Compatible with hinge plug DURA-4040-16 and DURA-5050-16.

Specifications

- ✔ Hot-dip galvanized hangerbolt M16

Order codes

Hangerbolt length	A	B	C
1040HDS-M16-160	M16	Length 160 mm	135
1040HDS-M16-180	M16	Length 180 mm	155





Drop bolts & Ground catchers

The Locinox range of drop bolts and ground stops offers a wide array of solutions. From the economical VSF drop bolt to our internal SUBY drop bolt, which is the top of the line in terms of ease of use and aesthetics.

144 Drop bolts

149 Ground catchers



Motorized electrical drop bolt with fail close functionality

ELECTRADROP (Patented)

Electric 24V drop bolt with 115 mm throw for safe locking of automated swing gates. By securing your gate with an Electradrop you disburden the electric gate motors.

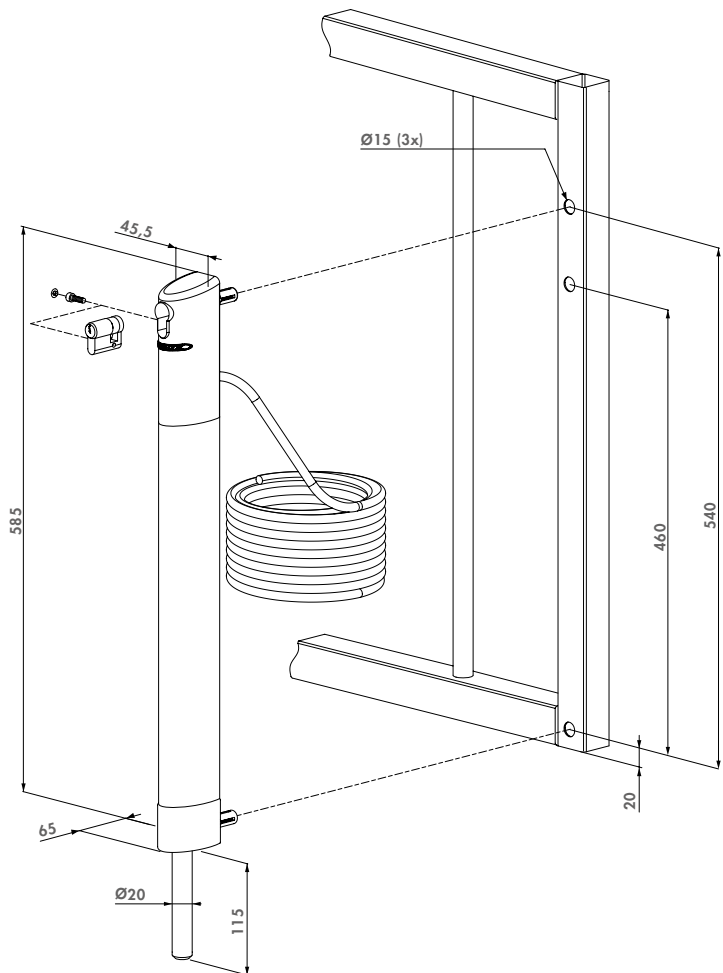


Color options

ZILV 9005

Specifications

- ✔ Vandal-proof, powder coated aluminium housing
- ✔ To be connected to the warning light on automated gates (min 3 sec prewarning signal) or directly on the gate automation
- ✔ Mechanical release possible (by key) in case of emergency
- ✔ The integrated obstacle detection will automatically stop the drop bolt movement in case of overpressure to avoid injuries.
- ✔ Consumption: 25 W / Standby: 0,2 W
- ✔ 5 m cable included
- ✔ Included: 3012-37-STD cylinder
- ✔ To connect to a Locinox DC-POWER-24V-25W power supply



Order code

ELECTRADROP For profiles 40 x 40 mm or more



Compatible ground stops



OGS
P. 150



SABO
P. 150

Motorized electrical drop bolt with Fail Open functionality

ELECTRADROP-R

Electric 24V drop bolt with 120 mm throw for safe locking of automated swing gates. The long-lasting internal batteries automatically lift the drop bolt in case of a power outage, eliminating the need for a key. Thus assuring a free exit of the premises. By securing your gate with an Electradrop you add an additional secure latching and disburden the electric gate motors.



Color options

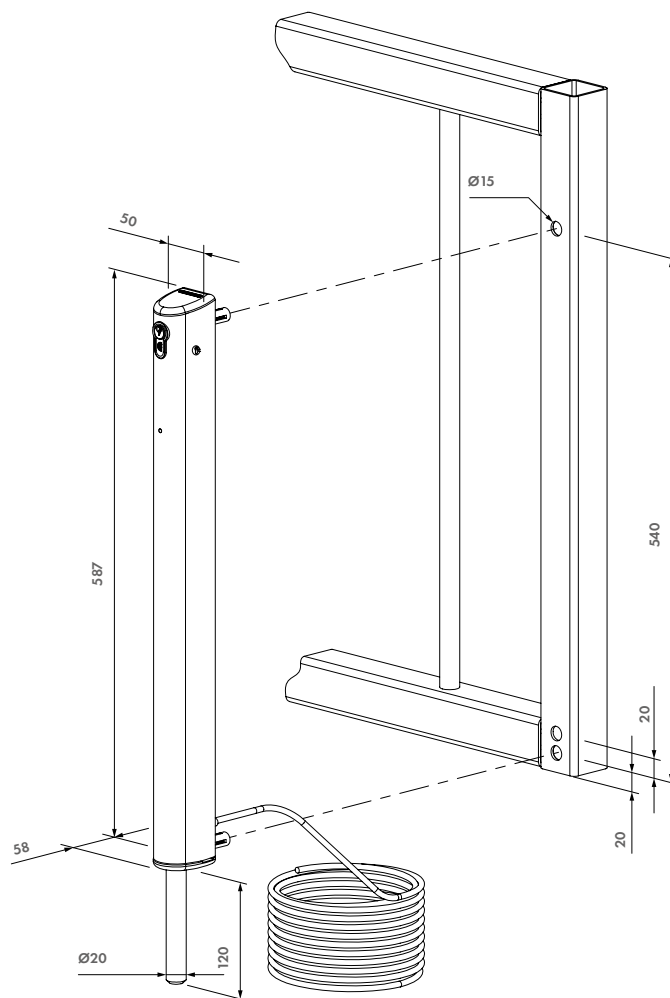
9005 ZILV

Specifications

- ✔ Fail Open functionality thanks to integrated back-up batteries (10y lifetime)
- ✔ To be connected to the warning light on automated gates (min 3 sec prewarning signal) or directly on the gate automation
- ✔ Automatic end of range detection and slow stop function
- ✔ Mechanical release possible (by key) in case of emergency
- ✔ Low battery warning light
- ✔ Very strong: >1000 kg holding force
- ✔ Drop bolt diameter: 20 mm
- ✔ Power consumption: Normal: 25 W / Peak: 55W / Standby: 0,2 W
- ✔ 5 m cable included
- ✔ To connect to a Locinox PowerStone 60W or DC-POWER-24V-25W power supply
- ✔ Support for horizontal installation

Order code

ELECTRADROP-R Motorized electrical drop bolt with Fail Open functionality



Compatible ground stops



OGS
P. 150



SABO
P. 150



Surface mounted drop bolt

VSA / VSF

Standard drop bolts with the innovative Quick-Fix. The drop bolt is auto-locked between the double wings.



Color options

ALUM 6005 6009 7016 9005

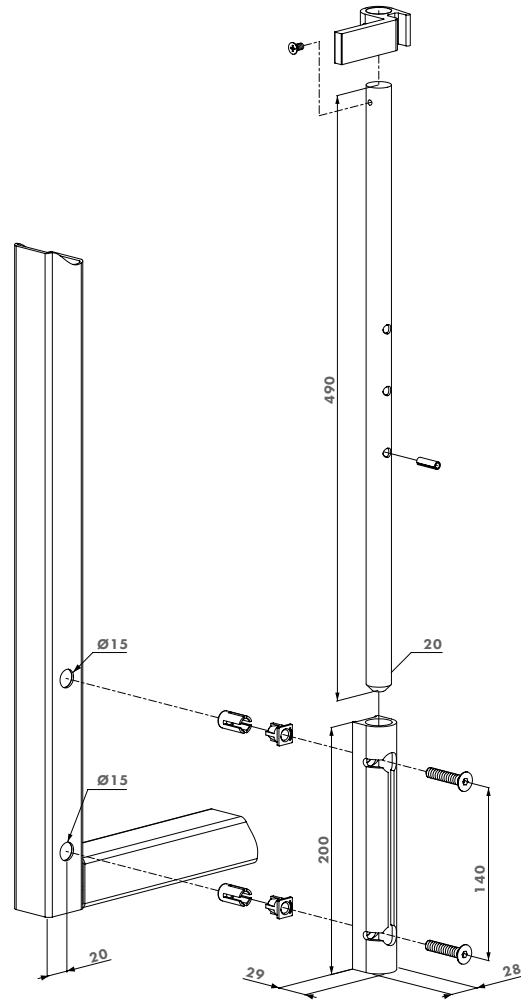
Specifications

- ✔ Type VSF: hot-dip galvanized pin
- ✔ Type VSA: aluminium pin
- ✔ With aluminium head block
- ✔ For profiles as of 40 mm or more
- ✔ Height adjustability of the drop bolt: 100 mm
- ✔ Throw: 140 mm
- ✔ Locks itself between the wings of the gate
- ✔ Fast and easy fixing with Quick-Fix
- ✔ Easy to retrofit

Order codes

VSA-K-QF1BL With aluminium pin

VSF-K-QF1BL With hot-dip galvanized pin



Compatible ground stops



OGS
P. 150



SABO
P. 150



Lockable drop bolt

KEYDROP (Patented)

Lockable drop bolt interchangeable with the standard VSA-VSF drop bolts. This product enables you to lock the drop bolt in open or closed position.

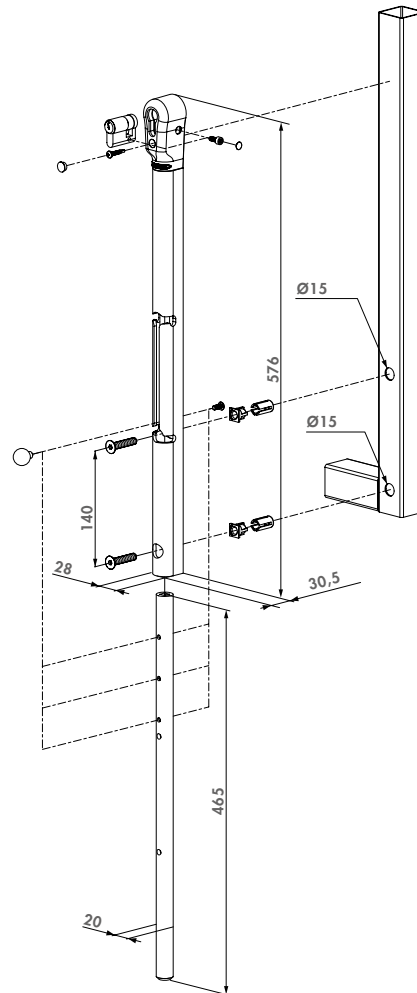


Color options

ZILV 6005 7016 9005

Specifications

- ✔ Throw: 140 mm
- ✔ Lockable drop bolt with cylinder
- ✔ Same drilling pattern as VSF and VSA
- ✔ Possibility to work with same key as gate lock
- ✔ Height adjustability of the drop bolt: 100 mm
- ✔ Height adjustability in 3 positions: 50 mm / position
- ✔ The gate can be locked in open or closed position
- ✔ For gate profiles 40x40 mm or more



Order code

KEYDROP For profiles 40 x 40 mm or more



Compatible ground stops



OGS
P. 150



SABO
P. 150

Internal drop bolt

SUBY (Patented)

Internal aluminium drop bolt. The drop bolt is operated at a convenient height. The aesthetic solution for all your double-wing gates.

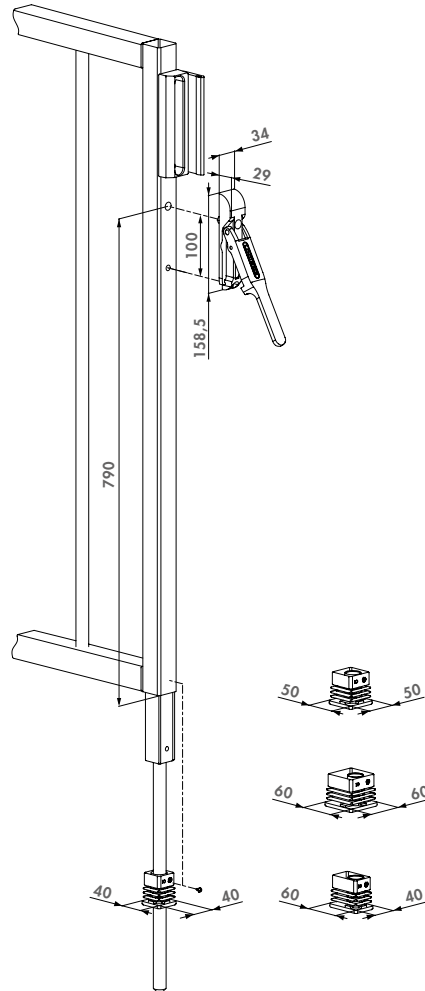


Color options

ZILV 6005 6009 9005

Specifications

- ✔ Height adjustability of the drop bolt: 100 mm
- ✔ Throw: 120 mm
- ✔ Internal dropbolt in aluminium
- ✔ Steel handle with black overmoulded polyamide provides the optimal combination between robustness, ergonomoy and protection against corrosion
- ✔ Internal push spring guarantees a perfect closure (even if the drop bolt is blocked by dirt inside the ground stop) and prevents overpressure
- ✔ Designed for profiles up to 3 mm thick
- ✔ Fast & easy fixing: 2 screws
- ✔ User-friendly manipulation of the drop bolt at a convenient height
- ✔ For gate profiles: 40x40 mm, 50x50 mm, 60x60 mm and 60x40 mm



Order code

SUBY For gate profiles 40x40 mm, 50x50 mm, 60x60 mm and 60x40 mm



Compatible ground stops



CGS
P. 149



EGS
P. 149

Economic ground catcher

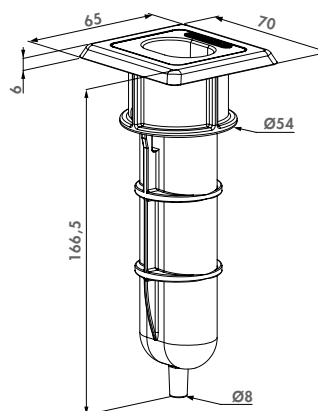
EGS

Economic ground catcher for drop bolts with maximum axle of $\varnothing 20$ mm. With draining hole.



Specifications

- ✔ Simple and economic ground stop to put into concrete
- ✔ Without stop plate
- ✔ Hot-dip galvanized base-plate with polypropylene catcher
- ✔ For drop bolts with a maximum axle of $\varnothing 20$ mm



Compatible drop bolts



SUBY
P. 148



KEYDROP
P. 147



VSA / VSF
P. 146



ELECTRADROP
P. 144

Order code

EGS Economic ground stop, without stop plate

Centered ground stop

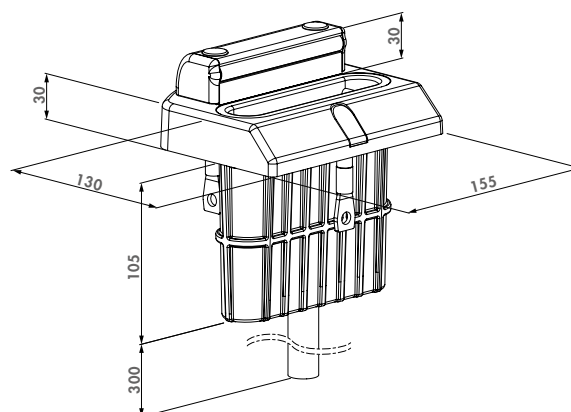
CGS

Strong ground stop for double wings. Advised in combination with the internal SUBBY drop bolt. The CGS has a removable recipient for easy and fast cleaning.



Specifications

- ✔ Galvanized steel base with anodized aluminium bumper
- ✔ Only suitable with internal SUBBY drop bolts
- ✔ Adjustable stop plate for 40 mm till 60 mm gate frames
- ✔ Removable polyamide cleaning recipient
- ✔ With water evacuation hose



Compatible drop bolt



SUBBY
P. 148

Order code

CGS Adjustable stop plate for 40 mm to 60 mm gate frames

Bolt-on off-centered ground stop

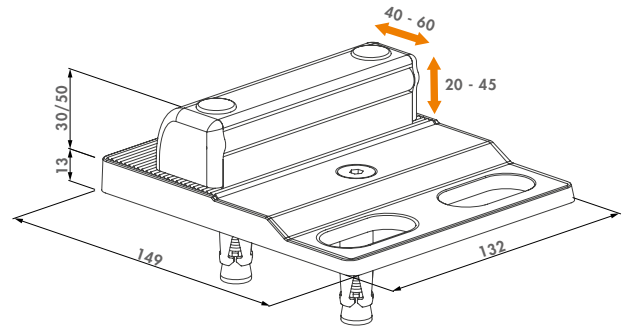
SABO

Strong surface mounted aluminum ground stop for double wing gates. Drop bolts with a maximum axle of $\varnothing 20$ mm are the perfect fit.



Specifications

- ✔ Surface mounted design, suitable for surface mounted drop bolts
- ✔ Maximum drop bolt axle diameter: $\varnothing 20$ mm
- ✔ Adjustable in height: distance between finished ground level & bottom of the gate: 20 to 45 mm
- ✔ Adjustable in depth, different gate profiles possible: VSA - VSF - Keydrop: 40 to 60 mm; Electradrop: 40 to 50 mm
- ✔ Anchor pins included
- ✔ Material: black anodized aluminium top plate



Order code

SABO Bolt-on off-centered ground stop

Compatible drop bolts



ELECTRADROP
P. 144



KEYDROP
P. 147



VSA / VSF
P. 146

Off-centered ground stop

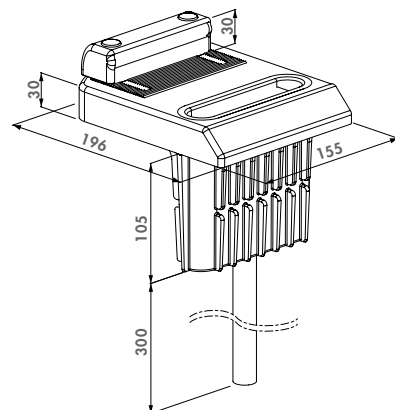
OGS

Strong ground stop for double wings. The OGS has a removable recipient for easy and fast cleaning of the ground stop.



Specifications

- ✔ Glass fiber reinforced polyethylene
- ✔ Suitable for surface mounted drop bolts (VSF - VSA - Electradrop - Keydrop)
- ✔ Adjustable stop plate for 40 mm till 60 mm gate frames
- ✔ Removable polyamide cleaning recipient
- ✔ With water evacuation hose



Compatible drop bolts



ELECTRADROP
P. 144



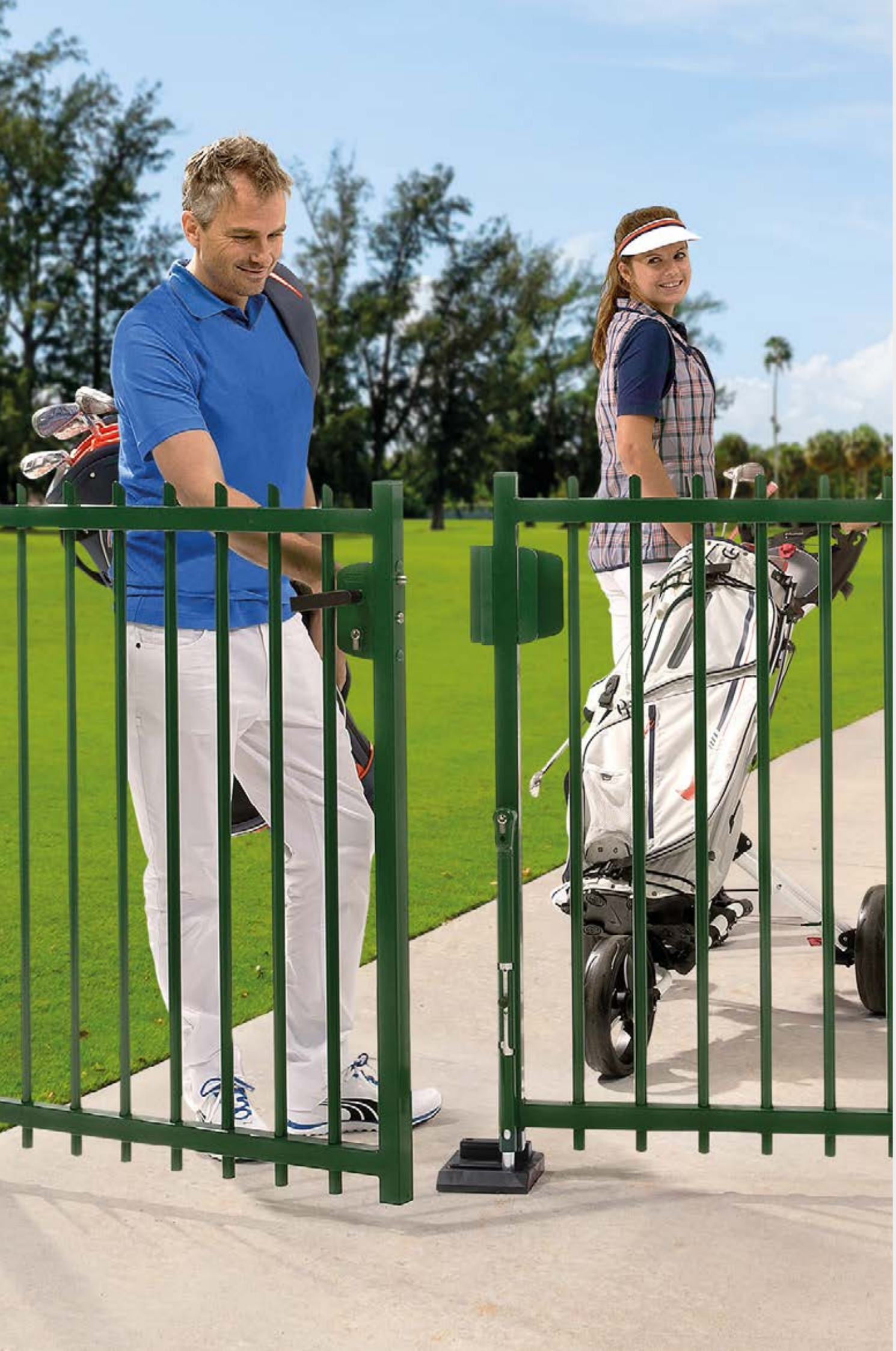
KEYDROP
P. 147



VSA / VSF
P. 146

Order code

OGS Adjustable stop plate for 40 mm to 60 mm gate frames



Drop bolts &
ground catchers



Gate catchers

Gate catchers hold your gate open without inflicting any damage. They are adjustable in height to fit your gate and the used profiles. The gate catchers are made of aluminium or hot-dip galvanized steel.

- 154** Hot-dip galvanized gate catchers
- 155** Aluminium gate catchers



Gate hold-back catch hot-dip galvanized

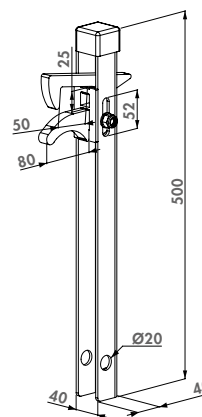
ABK



Hot-dip galvanized gate catcher to put into concrete. The catch hook is 52 mm adjustable in height. The ABK is developed to catch a horizontal profile. For gate profiles up to 50 mm.

Specifications

- ✔ Hot-dip galvanized U-profile in steel
- ✔ Tumble element in aluminium
- ✔ Height adjustability: 52 mm



Alternative gate catchers



UGC
P. 155



IGC
P. 155

Order code

ABK For gate profiles with a max. width of 50 mm

Gate hold-back catch hot-dip galvanized

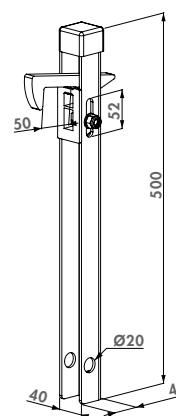
ABL



Hot-dip galvanized gate catcher to put into concrete. The catch hook is 52 mm adjustable in height. For gate profiles up to 50 mm.

Specifications

- ✔ Hot-dip galvanized U-profile in steel
- ✔ Stainless steel bolt
- ✔ Tumble element in aluminium
- ✔ Height adjustability: 52 mm



Alternative gate catchers



UGC
P. 155



IGC
P. 155

Order code

ABL For gate profiles with a max. width of 50 mm



Aluminium gate hold-back catch

UGC

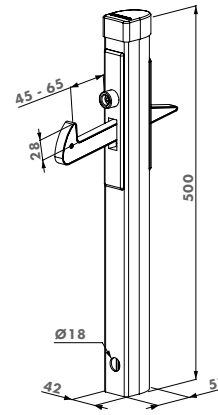
Aluminium gate catcher. The adjustable catch hook can easily be reversed. The stop rubber and polyamide catch hook avoid damaging the gate frame. Very fast and strong fixing in concrete. For gate profiles from 40 mm till 60 mm. Simple height adjustment of 40 mm.

Color options

ZILV

Specifications

- ✔ Aluminium powder coated chassis
- ✔ Anchoring holes for concrete
- ✔ Height adjustability of the catch hook: 40 mm
- ✔ Stop rubber and polyamide catch hook avoid damaging the gate frame
- ✔ Stop rubber adjustable for profiles 40 mm till 60 mm
- ✔ Reversibility of the catch hook: pre-mounted with hook up
- ✔ Catches underside of the gate



Order code

UGC Under-gate Catcher for 40 mm till 60 mm



Aluminium gate hold-back catch

IGC

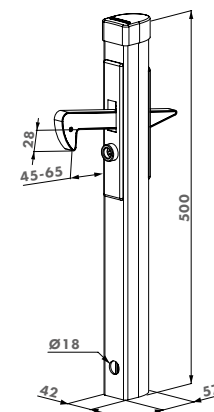
Aluminium gate catcher. The adjustable catch hook can easily be reversed. The stop rubber and polyamide catch hook avoid damaging the gate frame. Very fast and strong fixing in concrete. For gate profiles from 40 mm till 60 mm. Simple height adjustment of 40 mm.

Color options

ZILV

Specifications

- ✔ Aluminium powder coated chassis
- ✔ Anchoring holes for concrete
- ✔ Height adjustability of the catch hook: 40 mm
- ✔ Stop rubber and polyamide catch hook avoid damaging the gate frame
- ✔ Stop rubber adjustable for profiles 40 mm till 60 mm
- ✔ Reversibility of the catch hook: pre-mounted with hook down
- ✔ Catches upper side of the gate



Order code

IGC In-gate catcher for 40 mm till 60 mm



Tooling

Locinox guarantees a quick, qualitative and perfect installation thanks to the in-house developed jigs.

158 Tools for locks & keeps

160 Tools for gate closers

162 Miscellaneous





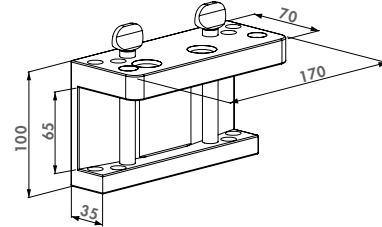
Drilling jig

3970LA

Drilling jig to prepare the gate-/strike-post for swing gate locks and according keeps. The jig can be adjusted for profiles 40-50-60 mm. The jig guarantees a perfect center alignment of the Locinox lock/keep on your posts.

Specifications

- ✔ Drilling jig for surface mounted swing gate locks and its keeps
- ✔ Adjustable for profiles from 40-50-60 mm



Order code

3970LA

For swing gate locks



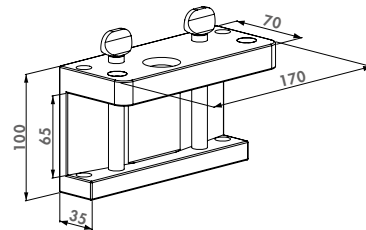
Drilling jig

3970LS

Drilling jig to prepare the gate- and strike-post for sliding gate locks and according keep. The jig can be adjusted for profiles 40-50-60 mm or 60-80 mm according to the version. The jig guarantees a perfect center alignment of the Locinox lock/keep on your posts.

Specifications

- ✔ Drilling jig for: LS, LL, LG locks and SSKZ QF keep
- ✔ Available in two versions: for profiles from 40-50-60 mm or 60-80 mm



Order codes

3970LS-4060

For sliding gate locks 40-50-60 mm

3970LS-6080

For sliding gate locks 60-80 mm



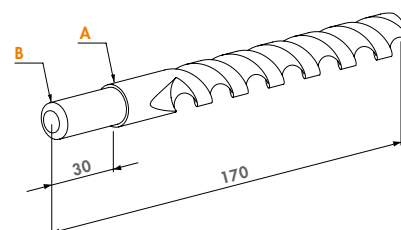
Drilling bit Ø15 mm with drill-chuck Ø13 mm

DRILLØ15

HSS drill with Ø15 mm and drill-chuck Ø13 mm. Fits any drilling machine.

Specifications

- ✔ Drilling bit Ø15 mm with drill-chuck Ø13 mm
- ✔ For preparation of your profiles
- ✔ For use with the drilling jig 3970LA



Order code

DRILLØ15

A Ø15 mm **B** Ø13 mm

Tool case with drilling jig for surface mounted lock and corresponding keep

DRILL-FIX

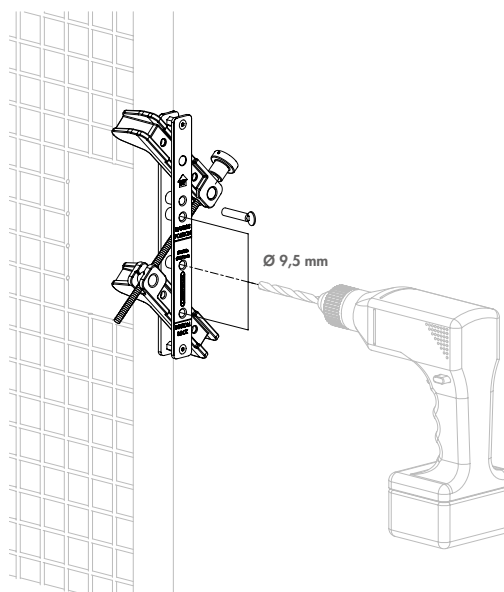


Quickly and accurately install Locinox surface mounted locks and keeps with our brand new Drill-Fix jig. This jig is designed to self-center on square or round posts, and guarantees perfect alignment. This will allow you to easily drill the 4 hole pattern for the lock or the two holes necessary for the keep. The Drill-Fix comes in a sleek and sturdy case that includes all the necessary accessories to install Locinox locks and keeps.



Specifications

- ✔ Tool case with self-centering drilling tool for fast assembly of Locinox surface mounted gate locks and keeps
- ✔ Drill jig can be used for round, square or rectangular profiles from 30 up to 76 mm
- ✔ Includes 3 drill bits (Ø9,5 mm, Ø15 mm, Ø18 mm)
- ✔ Installation of Locinox surface mounted locks and keeps in 4 easy steps
- ✔ Includes Locitool LA
- ✔ Includes Allen Key and positioning pin



Order code

DRILL-FIX Tool case with drilling jig for lock and keep

4 Easy installation steps



Compatible locks



LAKQ U2
P. 57



LDZ D1
P. 60



LMKQ V2
P. 64



LAKQ H2
P. 71

Compatible keeps



MODULEC-SA
P. 95



SAKL QF
P. 97



SHKL QF
P. 97



SMKL QF
P. 98





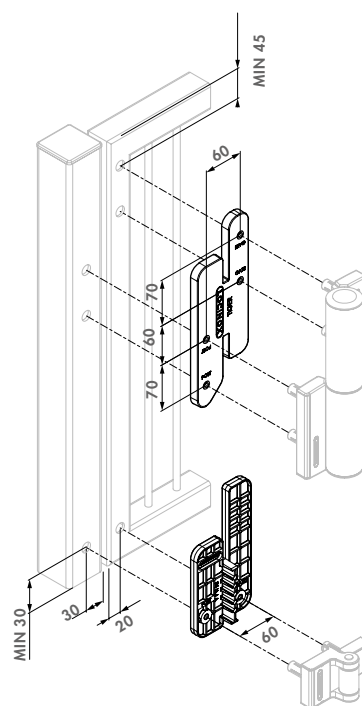
Installation and drilling jig for Tiger gate closer

TIGERDRILL

Tool case with installation and drilling jig to perfectly align and install the Tiger gate closer and its Puma hinge. This tool guarantees perfect alignment and a fast and easy installation. No measuring needed, just fix the tool on the post, drill the holes, install the Tiger and Puma, and close the gate.

Specifications

- ✓ 2 supplied drills Ø5 / Ø15 mm
- ✓ Spare set with 10 Quick-Fix expanders
- ✓ Solid plastic box with compartments for convenient storage
- ✓ Including accessories for mounting and adjustment of Tiger
- ✓ Recommended to be combined with Drillvise-IV



Order code

TIGERDRILL Installation and drilling jig for Tiger gate closer



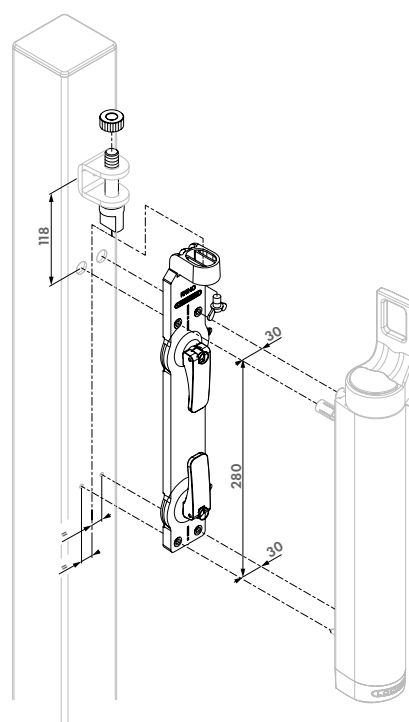
Assembly and drill jig for Rhino gate closer

RHINODRILL

Toolbox with installation kit to drill holes when mounting Rhino gate closer on Locinox hinges. Rhino uses the hinge to close the gate. This tool guarantees a perfect alignment of the Rhino gate closer to the existing hinge. No more measuring: fix, drill, install and ready.

Specifications

- ✓ 2 supplied drills Ø5 / Ø15 mm
- ✓ Spare set with 10 Quick-Fix expanders
- ✓ Solid plastic box with compartments for convenient storage
- ✓ Positions Rhino perfectly with regards to the Locinox hinge
- ✓ Including accessories for assembly and adjustment of Rhino



Order code

RHINODRILL Assembly and drill calibre for Rhino gate closer

Assembly and drill jig for Lion and Verticlose-2 gate closers

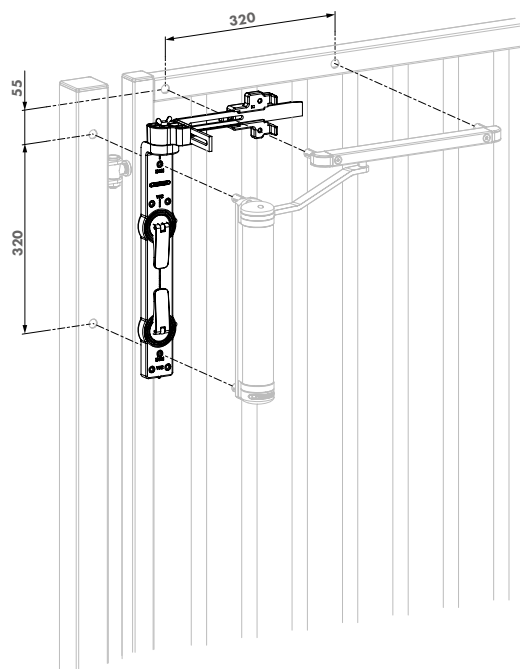
LION-VTC-DRILL

Toolbox with the required tools to install both Lion and Verticlose-2 gate closers very quickly and efficiently. The Lion-VTC Drill guarantees a flawless alignment of the gate closer in relation to the gate. No more measuring - just fix, drill, install and ready. Highly recommended.



Specifications

- ✓ Sturdy box with compartments
- ✓ Spare set with 10 Quick-Fix expanders
- ✓ 2 supplied drills $\varnothing 5$ / $\varnothing 15$ mm



Order code

LION-VTC-DRILL Installation and drilling jig for Lion & VTC-2 gate closers

Related products



TIGERDRILL
P. 160



RHINODRILL
P. 160



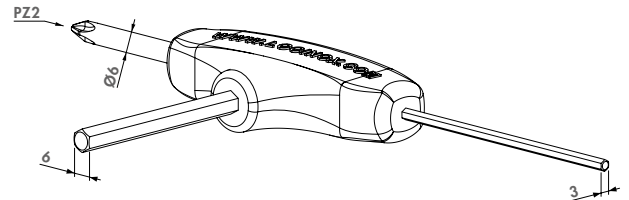
Handy mounting tool for locks

LOCITOOL LA

Mounting tool for surface mounted gate locks. The Locitool has a 3 mm Allen key for the adjustment of the bolts and fixing of the handles. With the 6 mm Allen key you can fix all Locinox locks. The screwdriver can be used to change the cylinder, open the lock box or change the daybolt from right to left-turning.

Specifications

- ✔ Easy and robust installation tool for a complete installation and adjustment of any Locinox lock
- ✔ Screwdriver to change the self-latching bolt, cylinder and lockbox



Order code

LOCITOOL LA

Mounting tool for locks



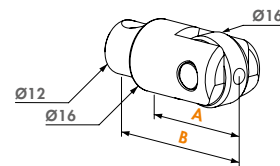
Adjustable rollerbolt

ROLLTOP

Stainless steel rollerbolt for swing gate locks. The standard chamfered self-latching top can be replaced with the rollerbolt. This ensures a smooth closing of the lock into the keep. The rollerbolt has a bolt adjustment-hole for finetuning your Locinox lock.

Specifications

- ✔ Adjustable rollerbolt in stainless steel
- ✔ Facilitates closing the gate
- ✔ Compatible with all surface mounted Locinox gate locks



Order codes

	A	B
ROLLTOP-30	18	28
ROLLTOP-40	26	36
ROLLTOP-60	46	56



Quick-Fix

The unique Quick-Fix fastening system guarantees an extremely secure fixing on all your gates and fences. As a unique patented solution, Quick-Fix ensures an assembly which is twice as quickly.

QUICK ASSEMBLY

Quick-Fix is pre-assembled on the product. You win valuable time on site, which allows you to be quicker with your next customer. You only need to drill the required 15 mm holes, place the product on the holes, fix and ready!

FIRM ANCHORING

With its 1,000 kg tensile strength a firm anchoring is always guaranteed. Quick-Fix is available for profiles with a wall thickness from 1 up to 5 mm or from 4 up to 8 mm.

CORROSION FREE

Locinox relies upon the best materials. This also applies to Quick-Fix which is 100% made of premium stainless steel. Quick-Fix easily passes the 500h salt spray test. Want to know more? Watch the video on our website.



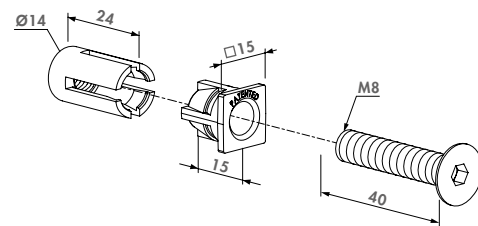
Stainless steel fixation bolt with high pulling resistance

QUICK-FIX (Patented)

Quick-Fix guarantees an easy, fast and highly robust mounting. The new generation of the Quick-Fix can be reused completely many times thanks to its innovative design.

Specifications

- ✔ Patented mounting system out of stainless steel
- ✔ Very strong: 1.000 kg pulling resistance
- ✔ Innovative design which guarantees reuse of the Quick-Fix
- ✔ For profiles with thickness till 5 mm



Order code

QUICK-FIX

Patented mounting system



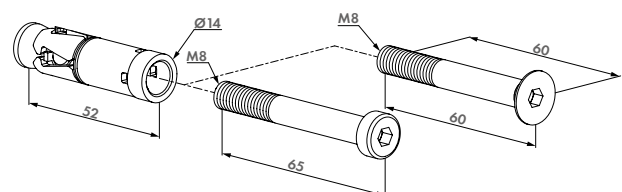
Wall fixation set for keeps

WALL-FIX

The Wall-Fix ensures a firm anchoring of most Locinox keeps in (brick) walls. The components of this fixation set are made out of steel.

Specifications

- ✔ For a solid anchoring of keeps in walls
- ✔ Can be used for SAKL, SHKL, SMKL, SFKB, SFKP and all Modulec - keeps
- ✔ Consists out of 2 expansion anchors with matching bolts



Order code

WALL-FIX

Wall fixation set for keeps



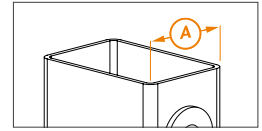
Accessories

Modularity, compatibility and flexibility within our product range give you an endless amount of solutions. Build your own product to fit your production processes and product range. Locinox makes sure your orders are handled quickly and correctly.

- 166** Handles
- 175** Adaptor plates
- 184** Cylinders
- 189** Accessories for gates
- 191** Post plugs & caps
- 193** Security strips



i Handle compatibility



	SURFACE MOUNTED LOCKS		INSERT LOCKS			
			A = 30mm	A = 40mm	A = 50mm	A = 60mm
3006C		✓	✓			
3006I		✓	✓	✓		
3006D		✓	✓			
3006B		✓	✓			
3006A		✓	✓			
3006M		✓	✓			
3006J		✓	✓	✓		
3006R		✓				
300FA		✓	✓			
3006P		✓	✓	✓		
3006G		✓	✓	✓		
3006I-H					✓	✓
3006B-H				✓	✓	✓
3006M-H				✓	✓	✓
3006J-H		✓	✓	✓	✓	✓
3006R-2		✓	✓			
KIDLOC-2		✓				
KIDLOC		✓	✓	✓		
3006KR		✓				
PUSHBAR		✓		✓	✓	
3006PUSH		✓				
3006T11		✓				
3006FIX				✓	✓	✓



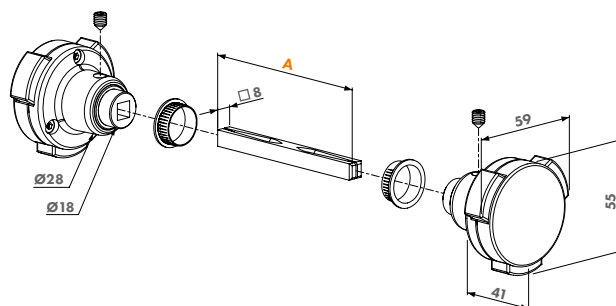
Childproof security knob

KIDLOC (Patented)

Anodized aluminium and polyamide security knob providing child safety. At least one button must be pressed while turning the knob. Conform to the French standard for child safety at swimming pools NF P90-306.

Specifications

- ✔ Anodized aluminium and polyamide
- ✔ For all locks with a 8 mm follower
- ✔ Security knob for swimming pools, playgrounds, kennels,...
- ✔ Conform with the swimming pool safety standard NF P90-306



Order code

Security knob

KIDLOC

A

Follower length 90 mm



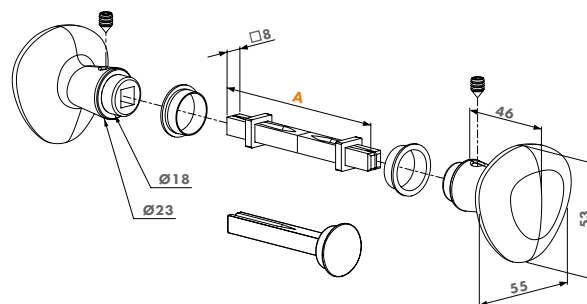
Aluminium handle blocking set

3006KR

Aluminium round knob set. The kit allows following combinations: one side fixed with one side operational, both sides fixed or one side blinded. The set is advised in combination with all aluminium lock boxes when access control is needed and highly recommended with electric strikes.

Specifications

- ✔ The kit permits the following combinations:
- ✔ 1 side fixed - 1 side movable or 1 side blinded
- ✔ 2 sides fixed
- ✔ 2 sides movable
- ✔ Highly recommended with Locinox electric keeps



Order code

Aluminium handle blocking set

3006KR

A

Follower length 90 mm



Aluminium anodized handle pair with fixed and/or rotating operation

3006FIX-

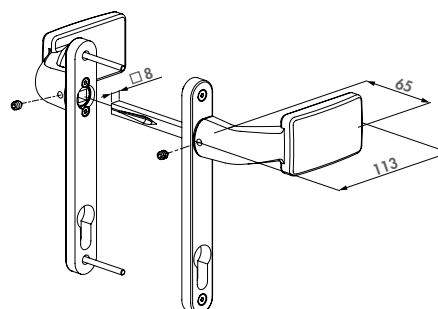
Anodized aluminium handle pair and cover shield allowing following combinations: both sides rotating, one side fixed or both sides fixed. The handle pair is compatible with the Fortylock, Fiftylock and Sixtylock insert locks.

Color options

ALUM 9005

Specifications

- ✔ Square 8 mm follower
- ✔ Center-distance cylinder <=> handles = 92 mm
- ✔ Including fixation bolts for profiles from 37 mm to 65 mm



Order code

3006FIX

A

Follower length 90 mm



Push bar in aluminium for surface mounted gate locks

PUSHBAR-L-

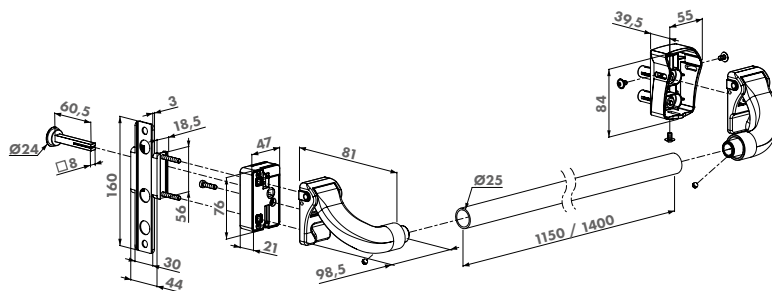
Push bar for an easy opening and a free exit of a gate by a simple push. The aluminium PUSHBAR replaces the standard handle, operates the daybolt and can quickly be installed on new or existing Locinox surface mounted gate locks (LA, LP and LF chassis). The PUSHBAR is available in a long version (1400 mm). The push bar can however be perfectly shortened to fit any gate.

Color options

9005

Specifications

- ✔ Black powder coated aluminium push bar with stainless steel mechanism
- ✔ For left and right turning gates
- ✔ Easy to install on the gate with Quick-Fix
- ✔ Blinded 8 mm follower included
- ✔ Possible to combine with half handle sets with 8 mm follower



Compatible locks



LAKQ U2
P. 57

LPKQ U2
P. 61

LFKQ X1
P. 65

Order code

PUSHBAR-L-1400 Aluminium push bar for surface mounted locks - Length 1400 mm



Aluminium push bar for insert locks

PUSHBAR-H-

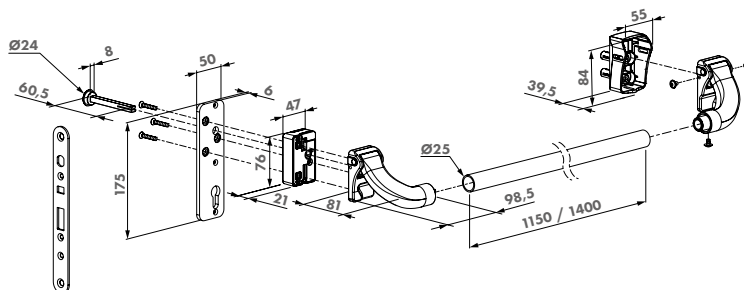
Push bar for an easy opening and a free exit of a gate by a simple push. The aluminium PUSHBAR replaces the standard handle, operates the daybolt and can quickly be installed on new or existing Locinox hybrid insert locks. The PUSHBAR is available in a long version (1400 mm). The push bar can however be perfectly shortened to fit any gate.

Color options

9005

Specifications

- ✔ Black powder coated aluminium push bar with stainless steel mechanism
- ✔ Only compatible with H-Metal, H-Wood and Sixtylock
- ✔ Easy & fast mounting: Quick-Fix
- ✔ For left and right turning gates
- ✔ Blinded 8 mm follower included
- ✔ Possible to combine with half handle sets with 8 mm follower



Compatible locks



H-METAL
P. 86

H-WOOD
P. 91

SIXTYLOCK
P. 84

Order code

PUSHBAR-H-1400 Aluminium push bar for insert locks - Length 1400mm



Handle pair made of anodized aluminium

3006C

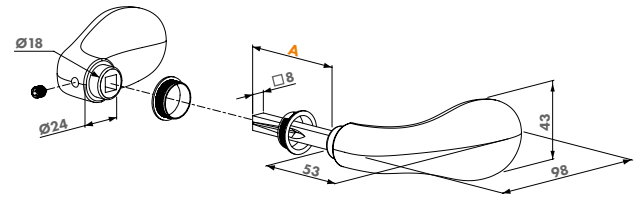
Aluminium club handle pair.

Specifications

- ✓ Handle pair made of anodized aluminium
- ✓ Square 8 mm follower

Order code

Aluminium handle pair
3006C



A
Follower length 60 mm



Handle pair made of anodized aluminium

3006M

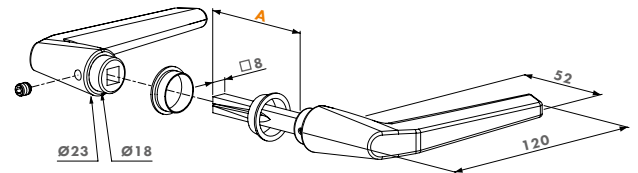
Aluminium handle pair.

Specifications

- ✓ Handle pair made of anodized aluminium
- ✓ Square 8 mm follower

Order code

Aluminium handle pair
3006M



A
Follower length 60 mm



Anodized aluminium handle pair

3006J

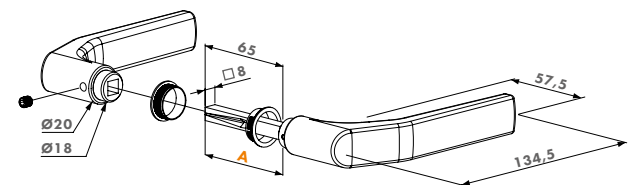
Aluminium handle pair

Specifications

- ✓ Special design avoids bumping of the hand against the stop plate
- ✓ Square 8 mm follower

Order code

Aluminium handle pair
3006J



A
Follower length 65 mm



Reinforced aluminium handle pair

3006S

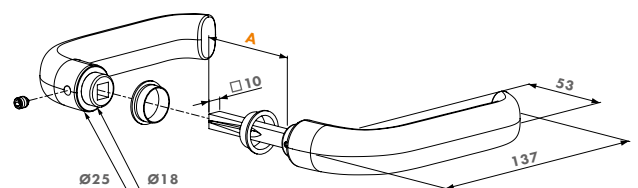
Reinforced aluminium handle pair. Advised as a standard for all sliding gate locks. Resistant against high forces during opening and closing of the gate.

Specifications

- ✓ Only applicable on Leonardo (LSKZ) sliding gate lock
- ✓ Square 10 mm follower

Order code

Reinforced aluminium handle pair
3006S



A
Follower length 60 mm



Handle pair in zamac

3006FA

Zamac ornamental handle pair.

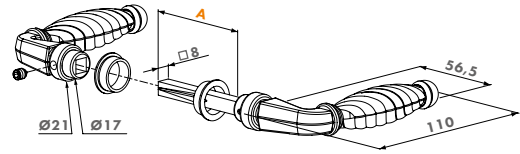
Specifications

- ✓ Handle pair in powder coated zamac
- ✓ Square 8 mm follower

Order code

Zamac handle pair

3006FA



A

Follower length 65 mm



Aluminium handle pair

3006D

Aluminium handle pair.

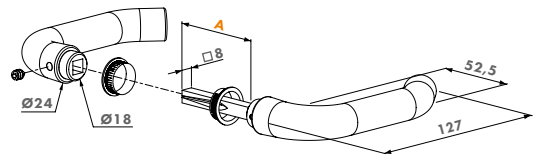
Specifications

- ✓ Handle pair made of anodized aluminium
- ✓ Square 8 mm follower

Order code

Aluminium handle pair

3006D



A

Follower length 60 mm



Handle pair in stainless steel

3006I

Stainless steel handle pair.

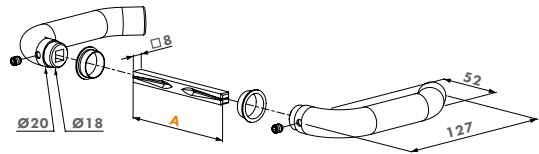
Specifications

- ✓ Handle pair made of stainless steel
- ✓ Square 8 mm follower

Order code

Stainless steel handle pair

3006I



A

Follower length 90 mm



Black anodized aluminium handle pair

3006B

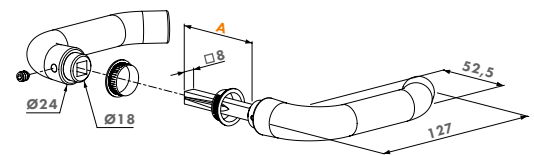
Black anodized aluminium handle pair

Specifications

- ✓ Square 8 mm follower

Order code

3006B



A

Follower length 66,5 mm



Handle pair in polyamide

3006G

Handle pair in polyamide.

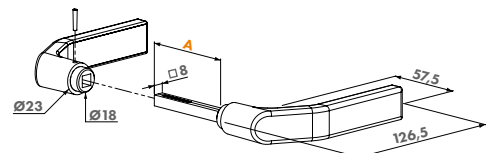
Specifications

- ✓ Special design avoids bumping of the hand against the stop plate

Order code

Polyamide handle pair

3006G



A

Follower length 66,5 mm



Handle pair in polyamide

3006P

Polyamide handle pair.

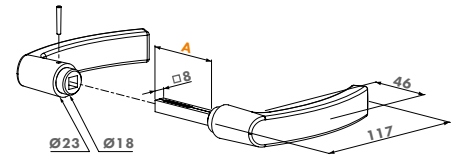
Specifications

- ✔ Square 8 mm follower
- ✔ Applicable with garden gate locks

Order code

Polyamide handle pair

3006P



A

Follower length 54 mm



Aluminium round knobs

3006R

Aluminium round handle pair.

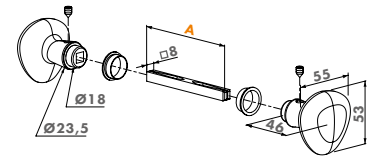
Specifications

- ✔ Round knobs in aluminium
- ✔ Square 8 mm follower

Order code

Aluminium handle pair

3006R



A

Follower length 90 mm



Half aluminium round handle

3006R-2

Half aluminium round handle. One side blinded.

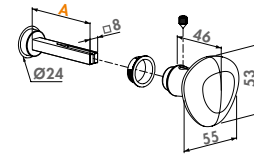
Specifications

- ✔ Round knob in aluminium
- ✔ Square 8 mm follower

Order code

Aluminium round knob

3006R-2



A

Follower length 60 mm



Half aluminium handle

3006M-2

Half aluminium handle - one side blinded.

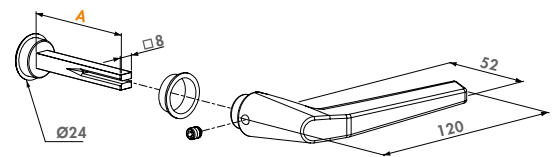
Specifications

- ✔ Half handle made of aluminium
- ✔ Square 8 mm follower

Order code

Aluminium half handle

3006M-2



A

Follower length 60 mm



Childproof security knob half handle

KIDLOC-2

Anodized aluminium and polyamide security knob providing child safety. At least one button must be pressed while turning the knob. Conform to the French standard for child safety at swimming pools NF P90-306.

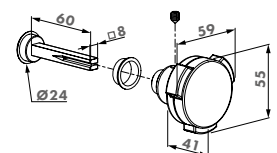
Specifications

- ✔ Polyamide and aluminium

Order code

Security knob

KIDLOC-2



A

Follower length 60 mm



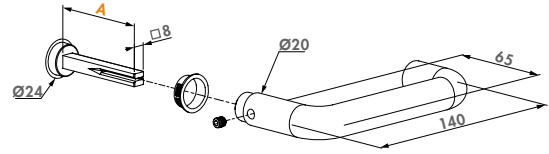
Half anodized aluminium anti-panic handle

3006A-2

Half anodized aluminium handle for LPKQ U2 anti-panic gate lock. A safe and quick exit is guaranteed. One side blinded.

Specifications

- ✓ Square 8 mm follower
- ✓ Handle made of anodized aluminium
- ✓ EN 179 certified for use with the LPKQ U2 anti-panic gate lock



Order code

3006A-2

A
Follower length 60 mm



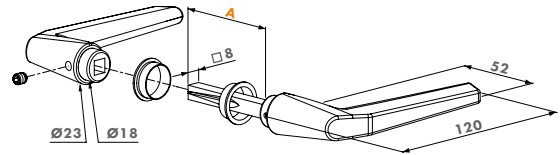
Handle pair in aluminium for insert locks

3006M-H

Aluminium handle pair with 120 mm long spindle for use with insert locks

Specifications

- ✓ Half handle made of aluminium
- ✓ Square 8 mm follower



Order code

3006M-H

A
Follower length 120 mm



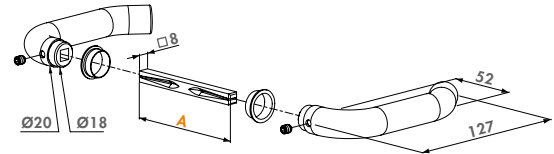
Handle pair in stainless steel for insert locks

3006I-H

Handle pair in stainless steel with square 120 mm spindle for insert locks.

Specifications

- ✓ Handle pair made of stainless steel
- ✓ Square 8 mm follower



Order code

3006I-H

A
Follower length 120 mm



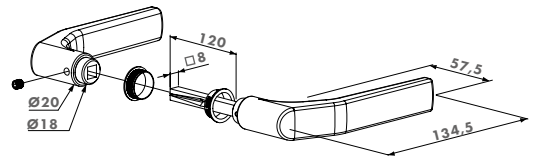
Handle pair in aluminium for insert locks

3006J-H

Handle pair in aluminium with square 120 mm spindle for insert locks.

Specifications

- ✓ Special design avoids bumping of the hand against the stop plate
- ✓ Square 8 mm follower



Order code

3006J-H

A
Follower length 120 mm



NEW

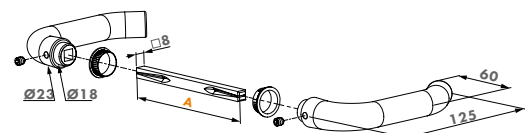
Black anodized aluminium handle pair for insert locks

3006B-H

Black anodized aluminium handle pair with 120 mm long spindle for insert locks

Specifications

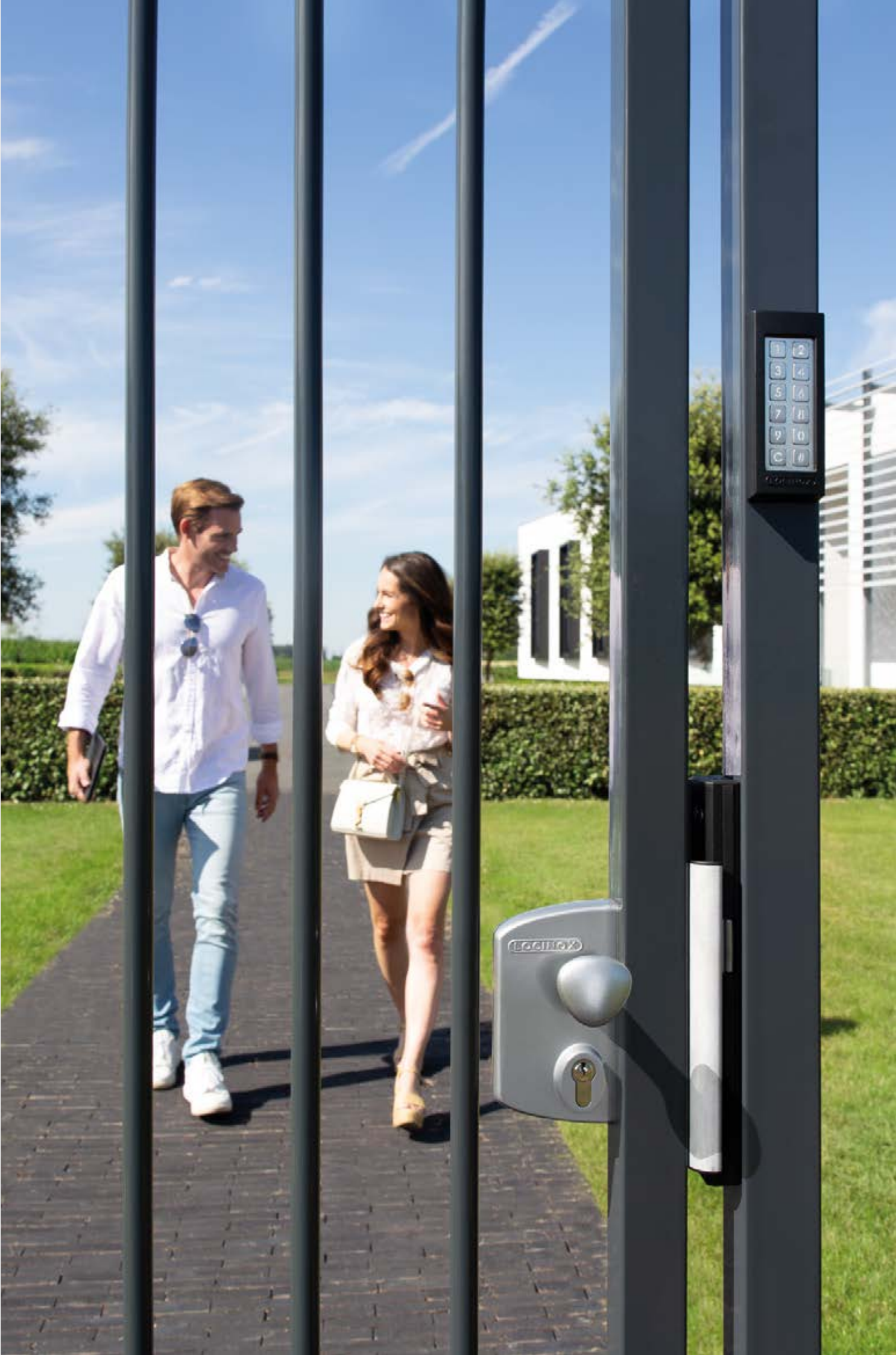
- ✓ Square 8 mm follower



Order code

3006B-H

A
Follower length 120 mm





Anti-theft protection plate for Locinox keeps

SHIELD-

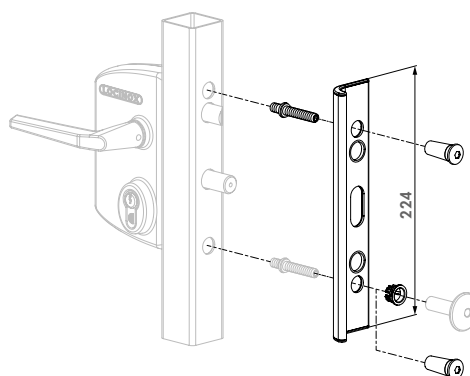
Vandal-proof protection plate in aluminium. This plate protects the day bolt and the nightbolt. Compatible with Locinox keeps (type SA, SH and Modulec).

Specifications

- ✔ Vandal-proof protection plate
- ✔ Aluminium powder coated
- ✔ Provided with plastic sliding sleeves for a perfect pin guidance. Very convenient in combination with gate closers
- ✔ Shield can easily be mounted on the surface mounted lock and is available for 40-60 mm gate frames

Order code

SHIELD- Anti-theft protection plate for standard SA/SH and Modulec-SA/SH keeps



Adaptor plate for Modulec strike

3018MOD-

Adaptor plate for square to round posts for Modulec electric strike. The plate is mounted between strike and post. A perfect connection on a Ø60 mm profile is ensured.

Specifications

- ✔ Aluminium adaptor plate for Modulec on Ø60 mm profiles
- ✔ Black anodized
- ✔ Separate versions for SA and SH available
- ✔ Is easily installed between strike and post

Order codes

3018MOD-SA Adaptor plate for square to round posts for Modulec-SA electric strike

3018MOD-SH Adaptor plate for square to round posts for Modulec-SH electric strike

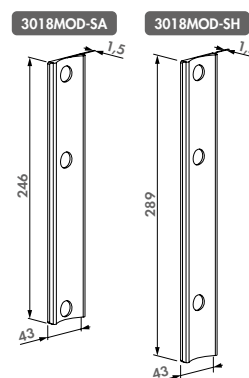
Recommended keeps



MODULEC-SA
P. 95



MODULEC-SH
P. 95



Guide plate for a smooth guidance of the bolts of the surface mounted lock for 40-100 mm gate frames

LOCK.GUIDE-

Stainless steel guide plate for a smooth guidance of the bolts of any surface mounted Locinox lock. Easy installation guaranteed.

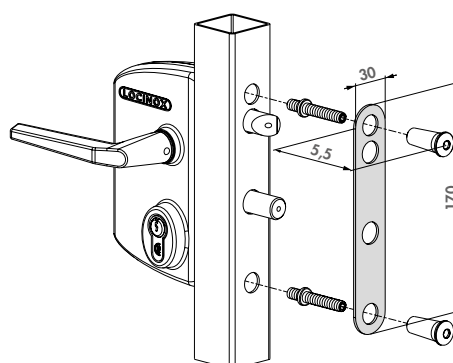
Specifications

- ✔ 2 mm thick stainless steel guidance plate
- ✔ Combinable with all surface mounted gate locks
- ✔ Available for 40 mm up to 100 mm gate frames

Order codes

LOCK.GUIDE-4060 Guide plate for 40 till 60 mm gate frames

LOCK.GUIDE-80100 Guide plate for 80 till 100 mm gate frames





i A buyer's guide to the shroud

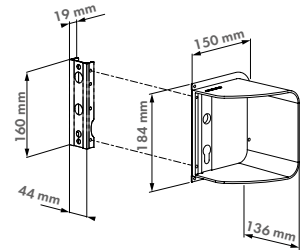




NEW Security shroud for surface mounted locks with free exit configuration

SHROUD-LA-

This polyamide shroud restricts access to the handle from outside the gate.



Specifications

- ✔ Compatible with free exit type configs of single Europrofile cylinder locks (LP, LA, ...)
- ✔ Compatible with 3006R-2, KIDLOC-2, 3006KR and 3006PUSH door handles only
- ✔ Easy installation and security guaranteed
- ✔ Available with (-P) or without (-Z) untreated aluminium shield plate
- ✔ For 40, 50 and 60 mm gate profiles

Order codes

SHROUD-LA-P	Security shroud for surface mounted locks with free exit configuration, with untreated aluminium shield plate
SHROUD-LA-Z	Security shroud for surface mounted locks with free exit configuration, without untreated aluminium shield plate

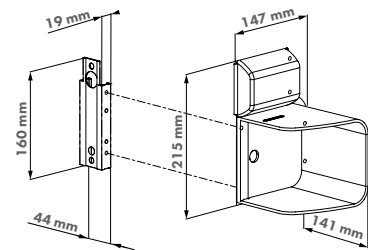
Compatible handles



NEW Security shroud for free exit mechanical code lock

SHROUD-LF-

This polyamide shroud restricts access to the handle from outside the gate.



Specifications

- ✔ Shroud made out of polyamide with black matte finish
- ✔ Compatible with Free Vinci mechanical code lock
- ✔ Compatible with 3006C-2, 3006R-2 and PUSH door handles only
- ✔ Easy installation and security guaranteed
- ✔ Available with (-P) or without (-Z) untreated aluminium shield plate
- ✔ For 40, 50 and 60 mm gate profiles

Order codes

SHROUD-LF-P	Security shroud for free exit mechanical code lock, with untreated aluminium shield plate
SHROUD-LF-Z	Security shroud for free exit mechanical code lock, without untreated aluminium shield plate

Compatible handles



NEW Protection plate to avoid access to the handle from the outside

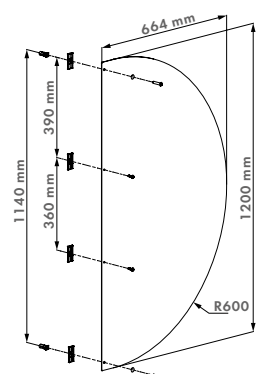
SHROUD-SA-

Semi-round aluminum protection plate restricting access from the outside of the gate, on the keep side, to the handles.

Specifications

- ✔ Uncoated aluminum shield plate
- ✔ Installed on the keep side of the gate
- ✔ Perfect shielding on gate and post side when installed together with SHROUD-LA-P / LF-P
- ✔ Easy installation and security guaranteed
- ✔ For 40, 50 and 60 mm gate profiles

Compatible products



Order code

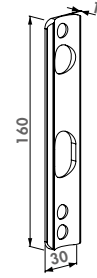
SHROUD-SA-	Protection plate to avoid access to the handle from the outside
-------------------	---

Adaptor plate for LA, LM and LS locks

3019LA



The adaptor plate is mounted between the lock and gate frame.



Specifications

- ✓ Aluminium adaptor plate for LA & LS locks
- ✓ Adaptor plate => Ø42 mm

Compatible locks



LAKQ U2
P. 57



LMKQ V2
P. 64



LAKZ P1
P. 72



LSKZ U2
P. 80

Order code

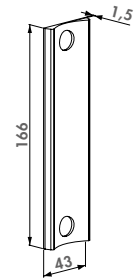
3019LA Adaptor plate for round posts Ø42 mm

Adaptor plate for SA keeps

3018LA



The adaptor plate is mounted between the keep and post.



Specifications

- ✓ Polyamide adaptor plate for SA keep
- ✓ Adaptor plate => Ø60 mm

Compatible keep



SAKL QF
P. 97

Order code

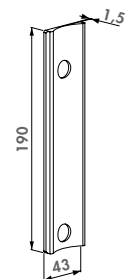
3018LA Adaptor plate for round posts Ø60 mm

Adaptor plate for SH keeps

6403



The adaptor plate is mounted between the keep and post.



Specifications

- ✓ Aluminium adaptor plate for SH keeps
- ✓ Adaptor plate => Ø60 mm

Compatible keep



SHKL QF
P. 97

Order code

6403 Adaptor plate for round posts Ø60 mm



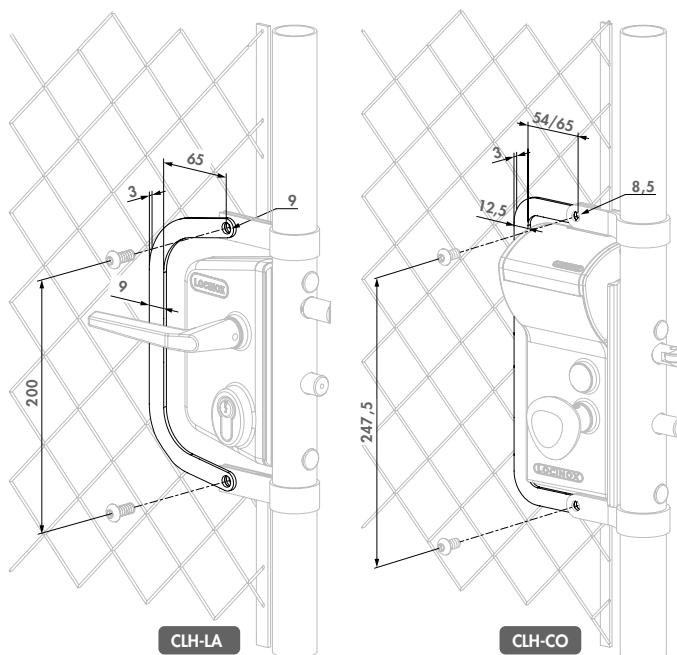
Chain link tension bar adapter

CLH-

This tension bar adaptor fits around our industrial, electrical, garden and sliding gate locks to give an aesthetic, finished look to chain link gates. There is a separate chain link tension bar adapter available for the mechanical code locks.

Specifications

- ✔ Hot-dip galvanized steel
- ✔ Install with 2 tension bands (not included)
- ✔ Ties in with the tension bar for a finished look



Order codes

CLH-LA

Chain link tension bar adaptor for standard gate locks

CLH-CO

Chain link tension bar adaptor for mechanical code locks



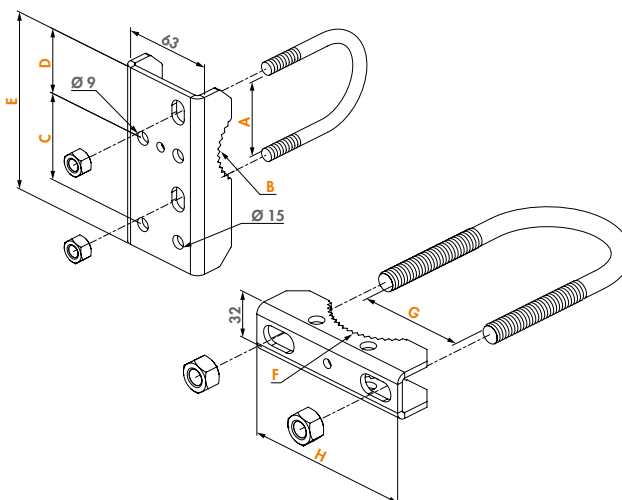
Galvanized bracket to mount Samson-2 to chain link fence (USA only)

SB-

The chain link mounting bracket allows the Samson gate closer to easily adapt to gates with round profiles and round hinge posts. Brackets are made of galvanized steel with U-bolts and stainless SD&T screws to lock the brackets into position. Available to fit 3" or 4" round posts and 1-5/8" or 1-7/8" gate frames.

Specifications

- ✔ Compatible with Samson-2
- ✔ Galvanized steel mounting brackets for round frames



Order codes

SB-3015

A	B	C	D	E	F	G	H
41,2	41,2	56	40	114	76,2	76,2	120
47,6	47,6	60	45	123	76,2	76,2	120
41,2	41,2	56	40	114	100	100	150
47,6	47,6	60	45	123	100	100	150

SB-3020

SB-4015

SB-4020

NEW Adaptor plate for Lion gate closer

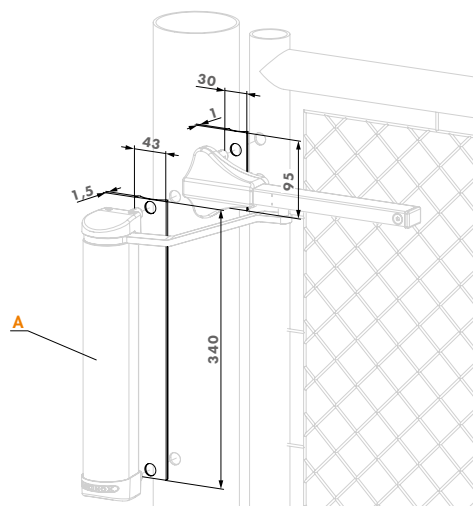
3018LION



Black anodized aluminium adaptor plate for square to round posts for Lion gate closer. The plate is mounted between gate closer and post. A perfect connection on a $\varnothing 60$ mm post is ensured.

Specifications

- ✓ Aluminium adaptor plate for Lion on $\varnothing 60$ mm round profiles for the fixed post
- ✓ Black anodized
- ✓ For Lion 180° version, gate frames are as of $\varnothing 42$ mm
- ✓ For both 90° and 180° mounting situations
- ✓ Is easily installed between gate closer and post



Order code

3018LION

A
Lion



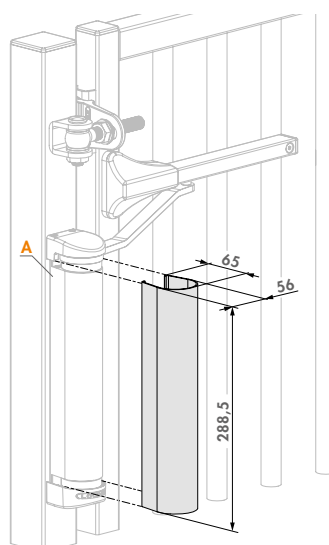
Uncoated aluminium shell for Lion gate closer

SHELL-LION-

Match the colour of the Lion gate closer with the gate, or your company colours. The uncoated aluminium shell allows a powder coating in any colour possible. The aluminium shell replaces the anodized shell which comes with the Lion. Aesthetical finish guaranteed, no fixation bolts are visible after mounting.

Specifications

- ✓ Shell must be powder coated to avoid corrosion
- ✓ Powder coating in any colour possible
- ✓ Replaces the shell delivered with Lion



Order code

SHELL-LION-ALUM

A
Lion



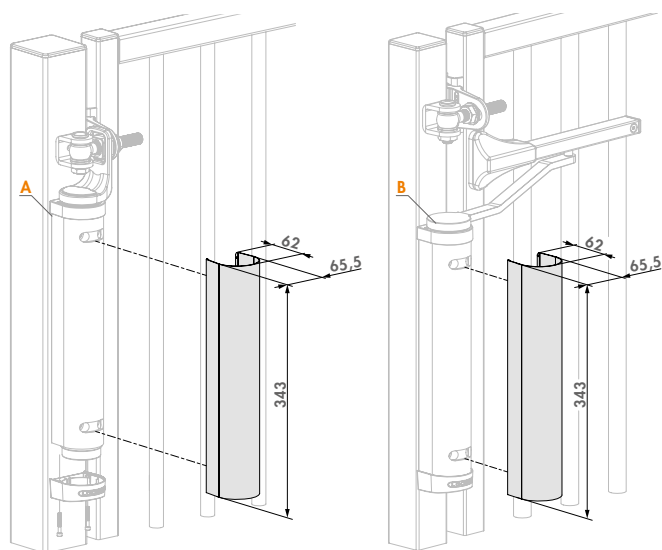
Uncoated aluminium cover for the Rhino and Verticlose-2 gate closers

SHELL-RHINO-VTC-

Match the colour of the Rhino and Verticlose-2 gate closers with the gate, or your company colours. The uncoated aluminium shell allows a powder coating in any colour possible. The aluminium shell replaces the anodized shell which comes with the Lion or Verticlose-2. Aesthetical finish guaranteed, no fixation bolts are visible after mounting.

Specifications

- ✓ Shell must be powder coated to avoid corrosion
- ✓ Powder coating in any colour possible
- ✓ Replaces the shell delivered with Rhino and Verticlose 2



Order code

SHELL-RHINO-VTC-ALUM

A **B**
Rhino Verticlose-2



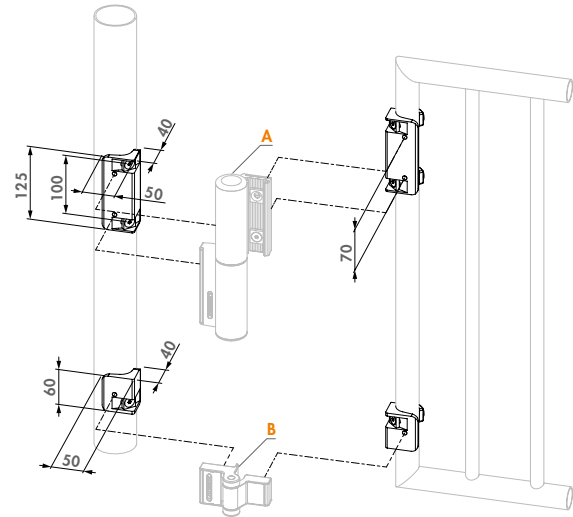
Chain link bracket for Tiger gate closer

CLB-TIGER

High quality aluminium bracket for installation of Tiger gate closer on round chain link fences. The brackets are installed between gate closer and post. A perfect, firm and easy installation is guaranteed thanks to the drilling jig. The brackets for the Puma hinge are included.

Specifications

- ✔ Aluminium anodized assembly brackets for Tiger on chain link fences
- ✔ Diameter post: 48 to 102 mm
- ✔ Diameter gate profile: 35 to 48 mm
- ✔ All fixations included
- ✔ Drilling jig included for easy installation
- ✔ Gap from 27 to 43 mm



Order code

CLB-TIGER

A B
Tiger Puma



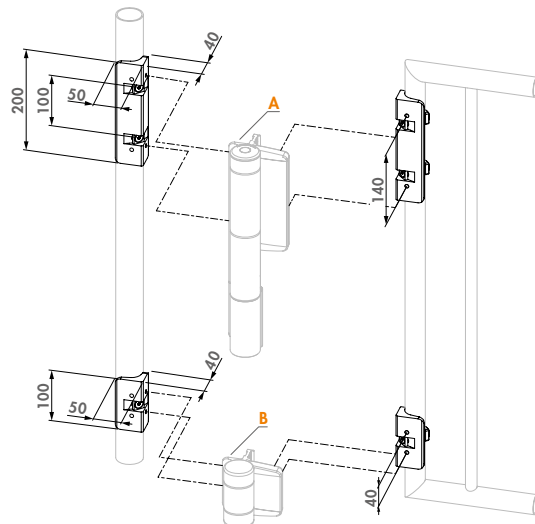
Chain link bracket for Mammoth gate closer

CLB-MAMMOTH

High quality aluminium bracket for installation of Mammoth gate closer on round chain link fences. The brackets are installed between gate closer and post. A perfect, firm and easy installation is guaranteed thanks to the drilling jig. The brackets for the Dino hinge are included.

Specifications

- ✔ Aluminium anodized assembly brackets for Mammoth on chain link fences
- ✔ Diameter post: 48 to 102 mm
- ✔ Diameter gate profile: 35 to 48 mm
- ✔ All fixations included
- ✔ Drilling jig included for easy installation
- ✔ Gap from 30 to 53 mm



Order code

CLB-MAMMOTH

A B
Mammoth-180 Dino



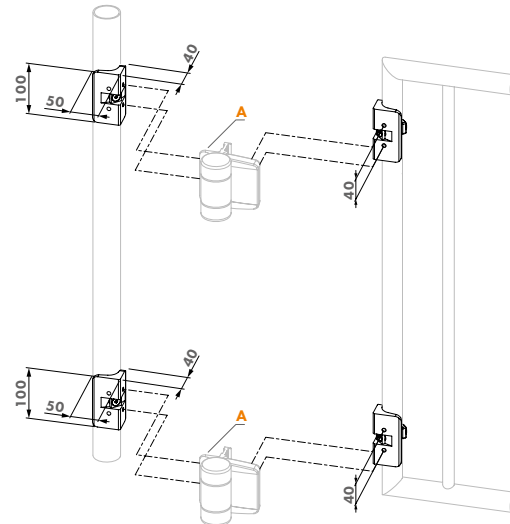
Chain link bracket for Dino hinge

CLB-DINO

High quality aluminium bracket for installation of the Dino hinge on round chain link fences. The brackets are installed between the hinge and the post. A perfect, firm and easy installation is guaranteed thanks to the drilling jig.

Specifications

- ✔ Aluminum anodized assembly brackets for Dino on chain link fences
- ✔ Includes brackets for two Dino hinges
- ✔ Diameter post: 48 to 102 mm
- ✔ Diameter gate profile: 35 to 48 mm
- ✔ All fixations included
- ✔ Drilling jig included for easy installation
- ✔ Gap from 29 to 54 mm



Order code

CLB-DINO

A

Dino



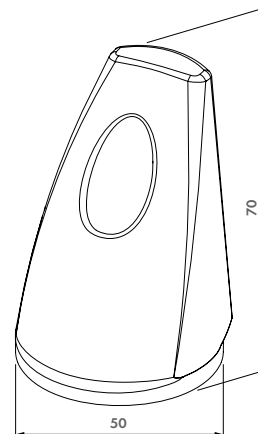
Anti climb device to be mounted on top of the Serval spring hinge

NOSTEP

The NoStep is installed on top of the Serval spring hinge and avoids people to use Serval as a step to climb over the gate. Made out of Fiberglass reinforced PA, the NoStep matches perfectly with the Serval. Easy installation guaranteed.

Specifications

- ✔ Made out of Fiberglass reinforced PA
- ✔ To be mounted on top of the Serval spring hinge



Order code

NOSTEP

Serval



Triangular cylinder set for triangle keys

3012-POC-

Stainless steel symmetric Europrofile cylinder set with which you can equip each Locinox lock with a triangular key access control on cylinder level. Exchangeable with 54 mm or 60 mm cylinders. Available for the 11, 14 or 17 mm triangle key. Applications: waste management, access fire brigade, parking facilities,...

Specifications

- ✔ Stainless steel triangular cylinder set
- ✔ Quick and easy retro-fitting assembly
- ✔ Can replace every 54-60 mm symmetric Europrofile cylinder

Compatible triangle keys



3071-T11
P. 187

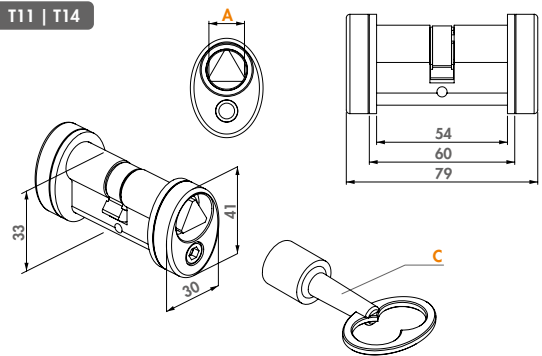


3071-T14
P. 187

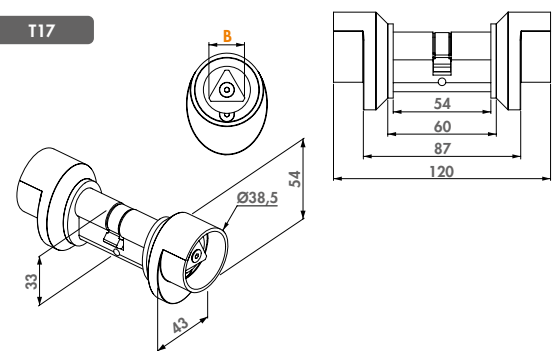
Order codes

Triangle width	A	B	C
3012-POC-T11	11 mm		3071-T11
3012-POC-T14	14 mm		3071-T14
3012-POC-T17		17 mm	

T11 | T14



T17





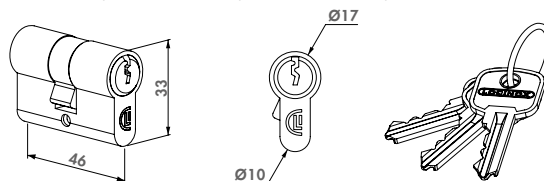
46 mm cylinder

3012-46-STD

Symmetric Europrofile cylinder with three keys: 46 mm, keyed alike or keyed to differ.

Specifications

- ✔ 46 mm Europrofile cylinder with three keys
- ✔ VCA: keyed to differ
- ✔ GCA: keyed alike A
- ✔ GCB: keyed alike B
- ✔ GCC: keyed alike C
- ✔ GCD: keyed alike D



Order codes

3012-46-STD-VCA	Symmetric 23 - 23 mm cylinder, keyed to differ
3012-46-STD-GCA	Symmetric 23 - 23 mm cylinder, keyed alike A
3012-46-STD-GCB	Symmetric 23 - 23 mm cylinder, keyed alike B
3012-46-STD-GCC	Symmetric 23 - 23 mm cylinder, keyed alike C
3012-46-STD-GCD	Symmetric 23 - 23 mm cylinder, keyed alike D



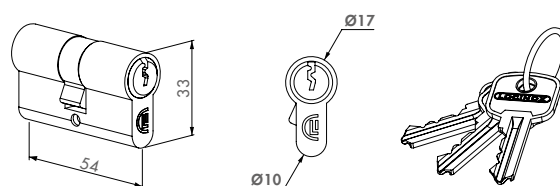
54 mm cylinder

3012-54-STD

Symmetric Europrofile cylinder with three keys: 54 mm, keyed alike or keyed to differ.

Specifications

- ✔ 54 mm Europrofile cylinder with three keys
- ✔ VSZ: keyed to differ
- ✔ GSZ: keyed alike Z
- ✔ GSY: keyed alike Y
- ✔ GSX: keyed alike X
- ✔ GSZ: Cylinders in different lengths are not compatible with each other



Order codes

3012-54-STD-VSZ	Symmetric 27 - 27 mm cylinder, keyed to differ
3012-54-STD-GSZ	Symmetric 27 - 27 mm cylinder, keyed alike Z
3012-54-STD-GSY	Symmetric 27 - 27 mm cylinder, keyed alike Y
3012-54-STD-GSX	Symmetric 27 - 27 mm cylinder, keyed alike X



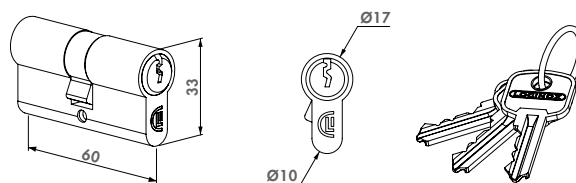
60 mm cylinder

3012-60-STD

Symmetric Europrofile cylinder with three keys: 60 mm, keyed alike or keyed to differ.

Specifications

- ✔ 60 mm Europrofile cylinder with three keys
- ✔ GSZ: Cylinders in different lengths are not compatible with each other



Order codes

3012-60-STD-GSZ	Symmetric 30 - 30 mm cylinder, keyed alike
3012-60-STD-VSZ	Symmetric 30 - 30 mm cylinder, keyed to differ



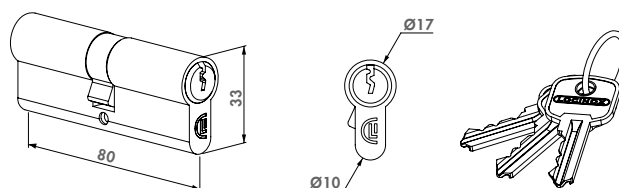
80 mm cylinder

3012-80-STD

Symmetric Europrofile cylinder with three keys: 80 mm, keyed alike or keyed to differ.

Specifications

- ✔ 80 mm Europrofile cylinder with three keys
- ✔ GSZ: Cylinders in different lengths are not compatible with each other



Order codes

3012-80-STD-GSZ	Symmetric 40 - 40 mm cylinder, keyed alike
3012-80-STD-VSZ	Symmetric 40 - 40 mm cylinder, keyed to differ

37 mm half cylinder

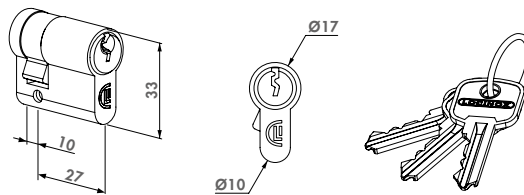
3012-37-STD



Asymmetric Europrofile cylinder 37 mm. Same keys as 3012-54-STD-GSZ. Used for Keydrop, Keysafe and Electradrop.

Specifications

- ✓ 37 mm half cylinder with three keys
- ✓ One side key / one side blind
- ✓ Used with Keydrop, Electradrop and Keysafe
- ✓ GSZ: Cylinders in different lengths are not compatible with each other



Order code

3012-37-STD-GSZ Asymmetric 10 - 27 mm cylinder, keyed alike Z

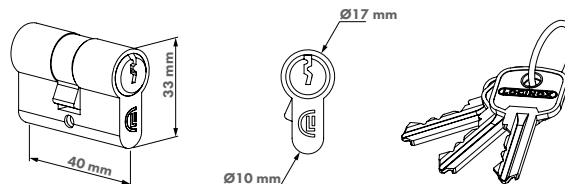
40 mm cylinder

3012-40-STD-VEA



Symmetric Europrofile cylinder with two keys: 40 mm, keyed to differ

- ✓ 40 mm Europrofile cylinder with two keys
- ✓ VEA: keyed to differ



Order code

3012-40-STD-VEA Symmetric 20 - 20 mm cylinder, keyed to differ

54 mm dummy cylinder

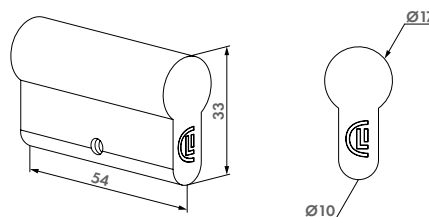
3012-54-DSA



Dummy cylinder Europrofile 54 mm. Prevents the lock from being locked down.

Specifications

- ✓ Dummy cylinder disables deadbolt locking
- ✓ For panic gates in combination with the 3006PUSH and PUSHBAR



Order code

3012-54-DSA Europrofile dummy cylinder 54 mm

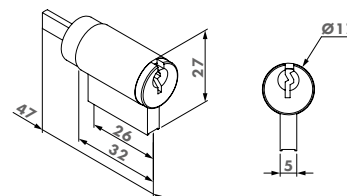
Rekeyable KIK cylinder

KIK-114-



Rekeyable Key-In-Knob (KIK) cylinder set with 2 keys, provided as standard in our FortiMa poolatch. Available in keyed alike and keyed to differ.

- ✓ Schlage C-Keyway
- ✓ 5 Pins code (6 pins drilled - rekeyable)
- ✓ Satin Nickle Plated
- ✓ GMA cylinder is provided as standard in the FortiMa poolatch
- ✓ VMZ cylinder is available separately
- ✓ 2 keys included



Order codes

KIK-114-GMA Keyed alike



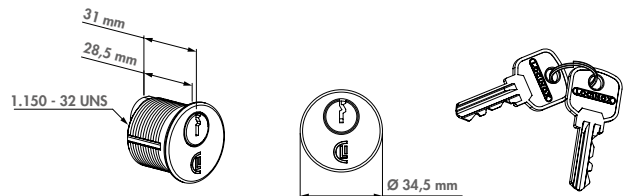
Mortise cylinders set

MRT-118

Set with 2x Mortise cylinders and 4 keys. Fits our new LUKY lock. Cylinders available in keyed alike and keyed to differ.

Specifications

- ✔ Length 1" 1/8 (28,5 mm)
- ✔ Adams Rite cam type 863A
- ✔ 5 Pins code (6 pins drilled – rekeyable)
- ✔ Satin Nickle Plated
- ✔ 1,150" x 32 UNS thread size
- ✔ 1,360" (34,5 mm) face diameter



Order codes

- MRT-118-GMA** Keyed alike
MRT-118-VMZ Keyed to differ



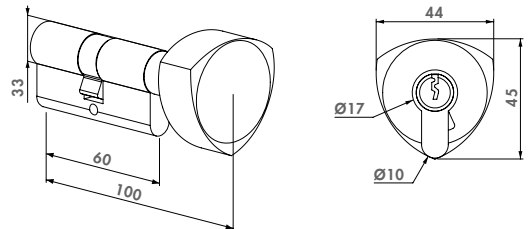
60 mm knob cylinder

3012-60-KNOB

Symmetric Europrofile cylinder with three keys and knob-turn on one side. Used when a free exit is required on one side.

Specifications

- ✔ 60 mm Europrofile cylinder with three keys
- ✔ One side key / one side knob
- ✔ Free entrance on one side



Order codes

- 3012-60-KNOB-GSZ** Symmetric 30 - 30 mm knob cylinder, keyed alike
3012-60-KNOB-VSZ Symmetric 30 - 30 mm knob cylinder, keyed to differ



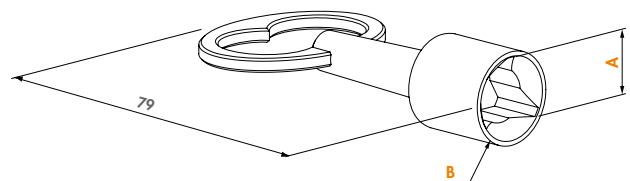
Triangle key

3071-

Compatible with a lock that is equipped with an 11 mm or 14 mm triangle instead of a handle.

Specifications

- ✔ Compatible with 3012-POC-T11 / 3012-POC-T14 / 3006T11
- ✔ Zinc-plated



Order codes

Triangle width	A	B
3071-T11	11 mm	Ø15,5
3071-T14	14 mm	Ø20



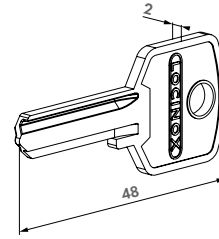
Blank key 46 mm

3070-46

Key blank that allows you to reproduce copies

Specifications

- ✔ Blank key for cylinder 46 mm
- ✔ For reproducing cylinder keys for 3012-46-STD



Order code

3070-46 Blank key for reproducing 46 mm cylinders



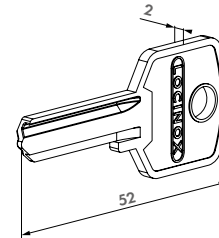
Blank key 54 mm

3070-54

Key blank that allows you to reproduce copies

Specifications

- ✔ Blank key for cylinder 54 mm
- ✔ For reproducing cylinder keys for 3012-37-STD and 3012-54-STD



Order code

3070-54 Blank key for reproducing 54 mm cylinders



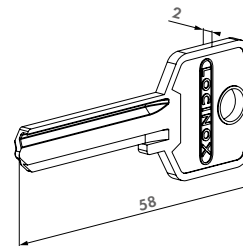
Blank key for cylinders 60 mm

3070-60

Key blank that allows you to reproduce copies.

Specifications

- ✔ Blank key for 60 mm cylinders
- ✔ For reproducing cylinder keys for 3012-60-STD



Order code

3070-60 Blank key for cylinders 60 mm



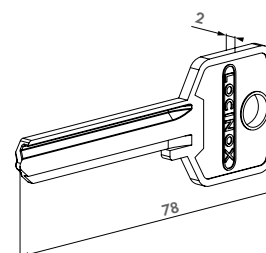
Blank key for cylinders 80 mm

3070-80

Key blank that allows you to reproduce copies.

Specifications

- ✔ Blank key for 80 mm cylinders
- ✔ For reproducing cylinder keys for 3012-80-STD



Order code

3070-80 Blank key for cylinders 80 mm



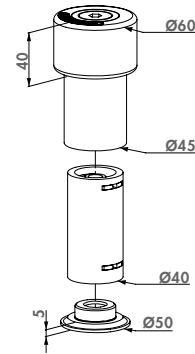
Gatestop with rubber

GATESTOP

Aluminium gatestop. The rubber stop prevents the gate from being damaged. Height adjustability from 100 mm till 140 mm. Can also be used as a wall stop. Including anchor bolt.

Specifications

- ✔ Fast and easy fixing
- ✔ Height adjustable: min 100 mm till 140 mm
- ✔ Aluminium body with rubber stop
- ✔ Included anchor bolt M12 for concrete fixing



Order code

GATESTOP

Including anchor bolt



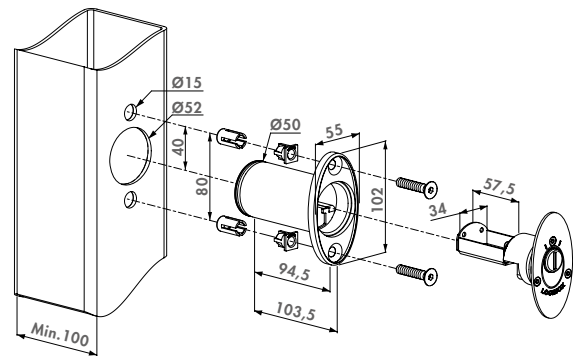
Keysafe Quick-Fix

KEYSAFE QF

Stainless steel Keysafe. Supplied with Quick-Fix to mount inside metal profiles. Used for a safe storage of your spare gate lock keys.

Specifications

- ✔ Keysafe with Europrofile cylinder
- ✔ For safe storage of your gate lock keys
- ✔ Rust-resisting frontcover
- ✔ Stainless steel cylinder cover
- ✔ Aluminium housing
- ✔ Fast and easy fixing with Quick-Fix



Order code

KEYSAFE QF

Including 3012-37-STD-GSZ



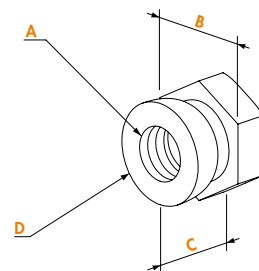
Security nuts

SECUNUT

Stainless steel anti-theft nuts for security applications.

Specifications

- ✔ Stainless steel security nuts for anti-theft applications
- ✔ Available in M6, M8 and M10



Order codes

SECUNUT-M6

SECUNUT-M8

SECUNUT-M10

	A	B	C	D
M6	10	9,5	Ø9,3	
M8	13	11	Ø12,7	
M10	17	15	Ø16,3	



EN 12604

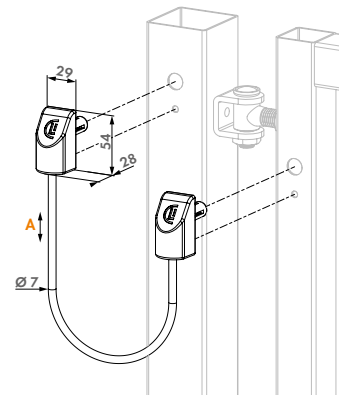
NEW Stainless steel safety cable for gates up to 500 kg

U-SAFE

The U-Safe gate safety cable avoids the gate to fall in case of hinge failure. Thanks to the patented Quick-Fix fixation system, the U-Safe is easily yet firmly fixed into the post.

Specifications

- ✔ Stainless steel cable rated at 1500 kg in case of hinge failure
- ✔ 300 mm long, 5mm thick with 1 mm thick protective transparent sleeve
- ✔ Firmly fixed thanks to patented Quick-Fix system
- ✔ In accordance with EN 12604
- ✔ For gates up to 500 kg
- ✔ Easy installation guaranteed



Order code

U-SAFE

A

Length 300 mm



EN 12604

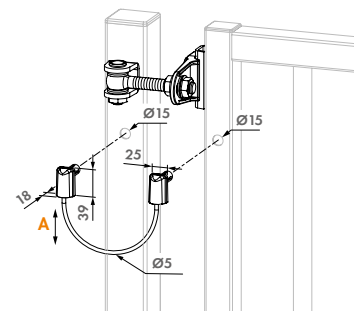
NEW Stainless steel safety cable for gates up to 500 kg

B-SAFE

The B-Safe gate safety cable avoids the gate to fall in case of hinge failure. Thanks to the patented Quick-Fix fixation system, the B-Safe is easily yet firmly fixed into the post. The B-Safe cable is rated up to 1000 kg and prevents gates up to 500 kg from falling in case both hinges might fail. B-Safe has been developed to secure a gate in accordance with EN 12604.

Specifications

- ✔ Cable length 220 mm long, 4mm thick with 1 mm thick protective transparent sleeve
- ✔ Firmly fixed thanks to patented Quick-Fix system
- ✔ In accordance with EN 12604
- ✔ For gates up to 500 kg
- ✔ Easy installation guaranteed



Order code

B-SAFE

A

Length 220 mm



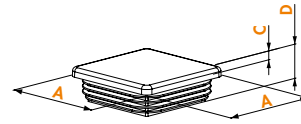
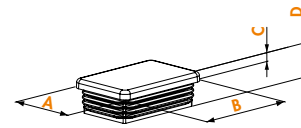
Post plug

TC

Polypropylene post plugs.

Specifications

- ✓ Polypropylene post plug for square profiles



Order codes

For square profiles	For rectangular profiles	A	B	C	D
TC-4040		40	5	19,4	
TC-5050		50	5	19,4	
TC-6060		60	5	19,4	
	TC-4060	40	60	5	19,4



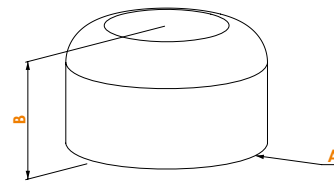
Post caps

TCR

Polypropylene post caps.

Specifications

- ✓ Polypropylene post cap for round profiles



Order codes

For round profiles	A	B
TCR-42	Ø45	29,5
TCR-48	Ø51	30
TCR-60	Ø63	38



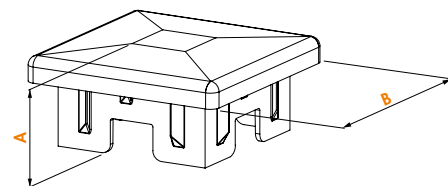
Square post cap

TCO-STD

Polypropylene post cap. Protects the upper borders of the posts.

Specifications

- ✓ Polypropylene square post cap for 60x60 mm, 80x80 mm and 100x100 mm
- ✓ Protects upper borders of posts



Order codes

For square profiles	A	B
TCO-STD-6060	41	67,5
TCO-STD-8080	41	89
TCO-STD-100100	47	110



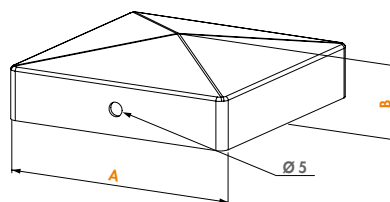
Post cap to screw on

TCO-SCR

Hot-dip galvanized post caps with screw hole. Perfect to protect and finish your posts. Applications: wood, aluminium or metal.

Specifications

- ✔ Hot-dip galvanized post caps to screw on



Order codes

For square profiles

	A	B
TCO-SCR-HDG-4040	43	22
TCO-SCR-HDG-5050	53	23
TCO-SCR-HDG-6060	63	24
TCO-SCR-HDG-8080	83	25
TCO-SCR-HDG-100100	103	27
TCO-SCR-HDG-120120	123	29



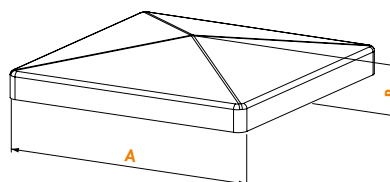
Post caps to weld on

TCO-WLD

Post caps to weld on in black steel or zinc plated. Perfect to protect and finish your posts. Applications: metal.

Specifications

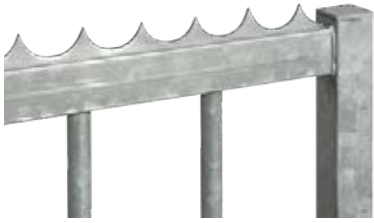
- ✔ Post caps in black steel or zinc plated



Order codes

Black steel post caps	Zinc-plated post caps	A	B
TCO-WLD-B-4040	TCO-WLD-Z-4040	43,5	12
TCO-WLD-B-5050	TCO-WLD-Z-5050	53,5	13
TCO-WLD-B-6060	TCO-WLD-Z-6060	63,5	14
TCO-WLD-B-8080	TCO-WLD-Z-8080	83,5	16
TCO-WLD-B-100100	TCO-WLD-Z-100100	103,5	18
TCO-WLD-B-120120	TCO-WLD-Z-120120	123,5	19,5





Security strip to weld on

PKWB2000-

Security strips in black steel to weld on. Packed per 20 pieces of 2 meter.

Specifications

- ✔ Black steel for welding
- ✔ Fixing: to weld on
- ✔ Profile: 33,5 x 3 mm
- ✔ Length: 2000 mm
- ✔ Packed in tubes per 20 pcs of 2000 mm

Order codes

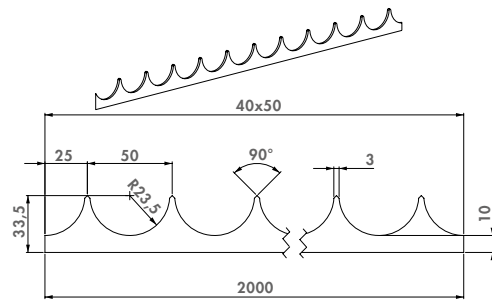
PKWB2000

PKWB2000-20

PKWB2000-100

PKWB2000-500

PKWB2000-1000



Security strips to weld on, packed in 1 tube of 20 pieces

Security strips to weld on, packed in 5 tubes of 20 pieces

Security strips to weld on, packed in 25 tubes of 20 pieces

Security strips to weld on, packed in 50 tubes of 20 pieces



Security strip to screw on

PKSG2000-

Hot-dip galvanized L-security strips to screw on. Packed per 10 pieces of 2 meter.

Specifications

- ✔ Hot-dip galvanized toothed L-profile
- ✔ Fixing: screw on
- ✔ Profile: 36,5 x 25 x 3 mm
- ✔ Length: 2000 mm
- ✔ Easy to retrofit
- ✔ Packed in tubes per 10 pcs of 2000 mm

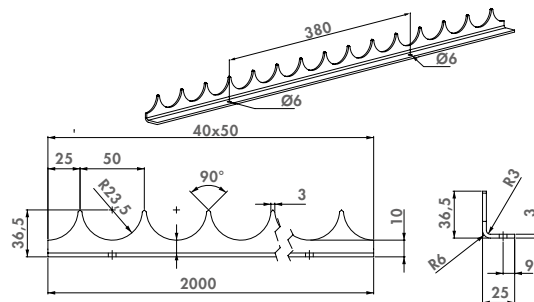
Order codes

PKSG2000

PKSG2000-10

PKSG2000-50

PKSG2000-250



Security strips to screw on, packed in 1 tube of 10 pieces

Security strips to screw on, packed in 5 tubes of 10 pieces

Security strips to screw on, packed in 25 tubes of 10 pieces



Electrogalvanized security strips to weld on

PKWB2000-EP-

Electrogalvanized security strips to weld on. Packed per 20 pieces of 2 meter.

Specifications

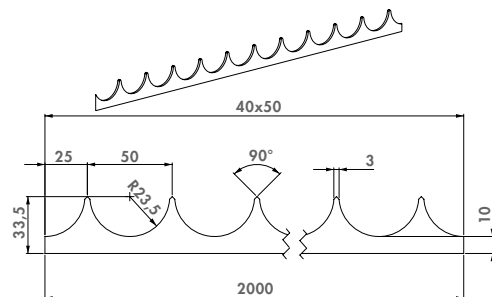
- ✔ Fixing: to weld on
- ✔ Profile: 33,5x3 mm
- ✔ Length: 2000 mm
- ✔ Packed in tubes per 20 pcs of 2000 mm

Order codes

PKWB2000-EP

PKWB2000-EP-20

PKWB2000-EP-100



Electrogalvanized security strips to weld on, packed in 1 tube of 20 pieces

Electrogalvanized security strips to weld on, packed in 5 tubes of 20 pieces



TIGER



1. Door handle
The door handle is the main point of contact for the user.



2. Lock cylinder
The lock cylinder is the main locking mechanism.



3. Lock cylinder
The lock cylinder is the main locking mechanism.



4. Lock cylinder
The lock cylinder is the main locking mechanism.



5. Lock cylinder
The lock cylinder is the main locking mechanism.



TIGER

Sales support tools

Convince your clients of the Locinox quality. We developed several gate displays and demo cases of our best selling products. Every featured Locinox product is full-scale and functioning just like in real-life.

These handy sales support tools perfectly claim what Locinox is standing for: exceptional quality, good value, extreme durability, user friendly comfort, easy installation, and much more. Let the lightweight gate displays and complete demo cases be your closest ally during sales visits or showcase them in your showroom. They will be an eyecatcher and make your sales talks much easier, believe us.

196 Gate displays



Gate closer display with 5 different gate closers

PS-GATECLOSERS

Real-scale gate closer gate display with Tiger, Mammoth, Samson-2, Lion and Verticlose-2 gate closers. This display is an excellent sales tool to showcase the quality solutions for your showroom, events and trade fairs.

Specifications

- ✔ Includes gate with Tiger gate closer, Fortylock insert lock, Puma hinge and SFKI keep
- ✔ Includes gate with Mammoth gate closer, SlimStone keypad, Modulec-SA keep, LAKQ lock and Dino hinge
- ✔ Includes gate with Samson-2 gate closer, Free Vinci (LFKQ) lock, Shield, SHKL keep and BoltonHD-4D hinge
- ✔ Includes gate with Lion gate closer, LAKZ lock, SMKL keep and Bolton-4D hinge
- ✔ Includes gate with Verticlose-2 gate closer, LDKZ lock, SAKL keep and G90Z hinge



Order code

PS-GATECLOSERS

Full scale display with 5 gate closers and gate hardware

Gate closers



MAMMOTH-180
P. 16



TIGER
P. 15



LION
P. 22



VERTICLOSE-2
P. 24



SAMSON-2
P. 20

Access Control



SLIMSTONE-2-
P. 29



LFKQ X1
P. 65



MODULEC-SA
P. 95

Gate Hardware



FORTYLOCK
P. 82



LAKQ U2
P. 57



LDKZ D1
P. 60



LAKZ P1
P. 72



Gate display with Lion gate closer, industrial lock and 90° hinge

PS-LION-

Aluminium gate display featuring the Lion hydraulic gate closer with a hot-dip galvanized 90° hinge, an industrial lock and a stainless steel keep.

Specifications

- ✔ High quality and lightweight aluminium display
- ✔ Information panel in 4 languages

Order code

PS-LION- Gate display with Lion gate closer, industrial lock and 90° hinge



Gate display with Tiger gate closer and industrial lock

PS-TIGER-

Aluminium gate display featuring the Tiger hydraulic gate closer with the industrial lock and stainless steel keep.

Specifications

- ✔ High quality and lightweight aluminium display
- ✔ Information panel in 4 languages

Order code

PS-TIGER- Gate display with Tiger gate closer and industrial lock



Gate display with Rhino gate closer, industrial lock and BoltonHD-4D hinge

PS-RHINO-

Aluminium gate display featuring the Rhino hydraulic gate closer with the screwable 180° BoltonHD-4D hinge, an industrial lock and a stainless steel keep.

Specifications

- ✔ High quality and lightweight aluminium display
- ✔ Information panel in 4 languages

Order code

PS-RHINO- Gate display with Rhino gate closer, industrial lock and BoltonHD-4D hinge



Radio with AUX jack

RADIO

Portable rechargeable site radio. Shock- and waterproof. A nice gadget for your fencing installers.

Specifications

- ✔ Shock- and waterproof
- ✔ Power: 10 Watt
- ✔ AUX-jack
- ✔ Rechargeable batteries included

Order code

RADIO Portable site radio with rechargeable batteries included

Table of contents

3DM	131	6403	178
3DW	135	ABK	154
4DFIX-I	123	ABL	154
4DFIX-I-12	123	AC-TRANS-12V-25W	45
4DW	135	BEARING HINGE	132
1001U	122	B-MAG	31
1002B	129	BOLTONHD-4D-	115
1002M	122	BOLTONHD-G-	114
1004ORNA	129	BOLTON-P-	114
1005WP	130	BOLTON-U-	114
1034A2-	120	B-SAFE	190
1034HDGA-	119	CGS	149
1034ROLL-HDG-	120	CLB-DINO	183
1036	127	CLB-MAMMOTH	182
1039SET	126	CLB-TIGER	182
1040HDSM16-	141	CLH-	179
1040TPS-M12-	141	DC-ACCESS-12V-20W	46
1041-01	140	DC-POWER-12V-20W	46
1127	127	DC-POWER-24V-25W	46
2005	45	DINO	132
3006A-2	173	DRILL-FIX	159
3006B	171	DRILLØ15	158
3006B-H	173	DURA	140
3006C	170	DVK	44
3006D	171	DVK-HD	45
3006FA	171	EGS	149
3006FIX-	167	EIGHTYLOCK	85
3006G	171	ELECTRADROP	144
3006I	171	ELECTRADROP-R	145
3006IH	173	EXCENTRO-	113
3006J	170	FIFTYLOCK	83
3006J-H	173	FIFTYSET	87
3006KR	167	FORTIMA-	74
3006M	170	FORTYLOCK	82
3006M-2	172	FORTYSET	87
3006M-H	173	G90LR	125
3006P	172	G90WP	126
3006PC	99	G90Z	125
3006PULL	168	GAM12	140
3006PUSH	168	GATESTOP	189
3006R	172	GATESWITCH	47
3006R-2	172	GBM12	138
3006S	170	GBM12-DP	138
3006T11	168	GBM16	139
3012-37-STD	186	GBM16-DP	139
3012-40-STD-VEA	186	GBMU4D12	117
3012-46-STD	185	GBMU4D16	117
3012-54-DSA	186	GBMU4D20	118
3012-54-STD	185	GBMU4DSHIELD	118
3012-60-KNOB	187	GBMU	119
3012-60-STD	185	G-ORNA-LR	128
3012-80-STD	185	G-ORNA-WVP	128
3012-POC-	184	GRIP12	124
3018LA	178	GRIP16	124
3018LION	180	GRIP16-L-	124
3018MOD-	175	GRIP20	124
3019LA	178	GUARDIMA-	75
3020-HYB	88	H-COMPACT	89
3070-46	188	H-METAL	86
3070-54	188	H-METAL-SET	86
3070-60	188	H-METAL-WB	89
3070-80	188	HWKB	108
3071-	187	HWLB	88
3970LA	158	H-WOOD	91
3970LS	158	H-WOOD-SET	91

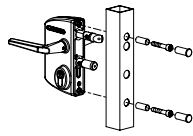
IGC	155	RHINO	23
INTERIO-GROUND-9005	18	ROLLTOP	162
INTERIO	19	SABO	150
INTERIO-WALL-9005	18	SAKL QF	97
INTRALEC-	107	SAMSON-2	20
KEYDROP	147	SB-	179
KEYSAFE QF	189	SECUNUT	189
KIDLOC-2	172	SEH	94
KIDLOC	167	SE	94
KIK-114-	186	SERVAL-	13
KLAUW-	123	SF-	99
KLAUW12	122	SFKB	104
LAKQ H2	71	SFKI	105
LAKQ U2	57	SFKM	106
LAKQ U3	58	SFKO-	105
LAKY F2	70	SFKP	104
LAKZ P1	72	SHELL-LION-	180
LAKZ P1 WSI	73	SHELL-RHINO-VTC-	181
LDKZ D1	60	SHIELD-	175
LEKQ U4	67	SHKC	108
LFKQ X1	65	SHKL QF	97
LGKZ D1	81	SHKM	109
LIKQ U2	69	SHKW	109
LION	22	SHROUD-LA-	177
LION-VTC-DRILL	161	SHROUD-LF-	177
LLKZ V2	79	SHROUD-SA-	177
LMKQ V2	64	SIXTYLOCK	84
LOCITOOOL LA	162	SIXTYSET	87
LOCK.GUIDE-	175	SKRZ	98
LOKQ Y2	63	SLIMSTONE-2-	29
LPKQ U2	61	SLIMSTONE-X-	28
LR	130	S-MAG-	35
LSKZ U2	80	SMKL QF	98
LUKY J5	59	SPKZ QF	100
MAG-	37	SPKZ-TK	100
MAGMAG-	38	SSKZ QF	101
MAGUNIT-2500	32	STK QF	102
MAMMOTH-180	16	STR60 QF	102
MAMMOTH-HD-	17	SUBY	148
MODULEC-SA	95	SWING40	136
MODULEC-SF-	107	SWITCHSTONE-STD-	28
MODULEC-SH	95	TC	191
MRT-118	187	TCO-SCR	192
N-LINE-B-MAG-	33	TCO-STD	191
N-LINE-B-MAG-KIT-	34	TCO-WLD	192
N-LINE MAG-	39	TCR	191
N-LINE MAG KIT-3000	41	TIGERDRILL	160
N-LINE-S-MAG-	33	TIGER	15
NOSEHINGE-I	133	TRICONE	43
NOSTEP	183	TT-BM3S	51
OGS	150	TT-BSP	51
O-SET	101	TT-CL2	51
PANTHER-	21	TT-DM3	51
PB-1	44	TT-FC2	52
PKSG2000-	193	TT-FO2	52
PKWB2000-	193	TT-MM3S	52
PKWB2000-EP-	193	TT-PIVOT	52
POWERSTONE-	46	TT-SAH	52
PS-GATECLOSERS	196	TT-SDM4	51
PS-LION-	197	TT-SM4S	51
PS-RHINO-	197	TURNITEC	50
PS-TIGER-	197	TWIST40	77
PUMA	136	UGC	155
PUSHBAR-H-	169	U-SAFE	190
PUSHBAR-L-	169	VERTICLOSE-2-	24
QUICK-FIX	163	VERTICLOSE-2-WALL-	25
RADIO	197	VSA / VSF	146
RHINODRILL	160	WALL-FIX	163

LOCK

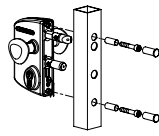
L

CHASSIS

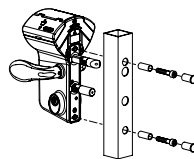
A/P



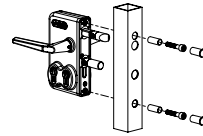
E/I



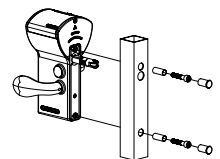
M



D

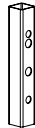


F

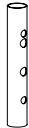


PROFILE

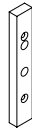
K



R

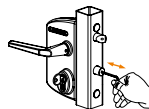


P



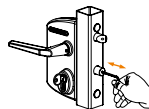
ADJUSTABILITY

Y



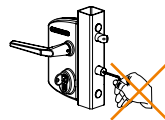
+ 10 mm

Q



+ 20 mm

Z



No adjustability

DIMENSIONS

1010

10 mm
Not for LE

3030

30 mm

4040

40 mm

5050

50 mm
Only for Y,
Z-mechanism

6060

60 mm

8080

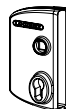
80 mm

100100

100 mm

LOCK BOX

U2L



Industrial lock box
54 mm cylinder
For Q-mechanism

U3L



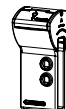
Industrial lock box
Ø 22 mm KABA-KESO
cylinder
For Q-mechanism

V2L



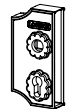
Code lock box
54 mm cylinder
For M, L-mechanism

X1L



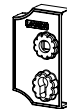
Code lock box
For F-mechanism

F2L



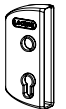
Small ornamental lock box
46 mm cylinder
For Y-mechanism

H2L



Large ornamental lock box
54 mm cylinder
For Q-mechanism

P1L



Polyamide lock box
46 mm cylinder
For Z-mechanism

D1L



Double cylinder lock box
54 mm cylinder
Special Z-mechanism

J5L



Industrial USA lock box
Mortise cylinder
For Y-mechanism

COLOURS

ZILV



SILVER

6005



MOSS GREEN

6009



FIR GREEN

7016



ANTHRACITE

7040



WINDOW GREY

9005



JET BLACK

9010



PURE WHITE

CYLINDERS

VSZ

Keyed to differ

GSZ

Keyed alike Z

GSY

Keyed alike Y

GSX

Keyed alike X

DSA

Dummy cylinder

VCA

Keyed to differ

GCA

Keyed alike A

GCB

Keyed alike B

GCC

Keyed alike C

GCD

Keyed alike D

T14

For 14 mm triangle keys

ZCZ

No cylinder keys

54 mm

46 mm

54 - 60 mm

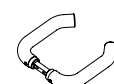
HANDLES

M



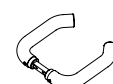
Aluminium

D



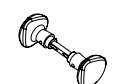
Aluminium

B



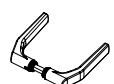
Black anodized aluminium

R



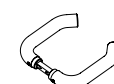
Aluminium round

J



Aluminium

I



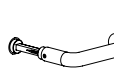
Stainless steel

FA



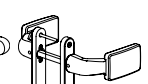
Ornamental zamac - black

A-2



Anti-panic handle

FIX



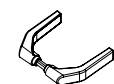
Aluminium fixed/rotating

P



Polyamide

G



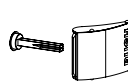
Polyamide

C



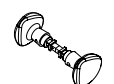
Aluminium club

PUSH



Aluminium Push pad

KR



Aluminium round kit pair

R2



Aluminium round half-handle

KIDLOC-2



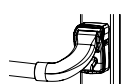
Security knob

WSI



Security knob

PUSHBAR



Aluminium push bar

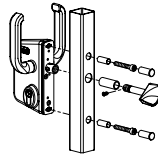
CODEBUILDER FOR SLIDING GATES LS - LL - LG

LOCK

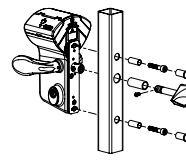
L

CHASSIS

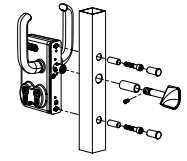
S



L



G

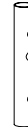


PROFILE

K



R



ADJUSTABILITY

Z



No adjustability

DIMENSIONS

4040

• 40 mm

5050

• 50 mm

6060

• 60 mm

8080

• 80 mm

100100

• 100 mm

120120

• 120 mm

LOCKBOX

U2L



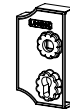
• Industrial lockbox
• 54 mm cylinder

D1L



• Double cylinder lockbox
• 54 mm cylinder
• Special Z-mechanism

H2L



• Ornamental lockbox
• 54 mm cylinder

V2L



• Code lockbox
• 54 mm cylinder

COLOURS

6005



MOSS GREEN

6009



FIR GREEN

9005



JET BLACK

9010



PURE WHITE

7016



ANTHRACITE

Z1LV



SILVER

CYLINDERS

VSZ

Keyed to differ

GSZ

Keyed alike Z

GSY

Keyed alike Y

GSX

Keyed alike X

DSA

Dummy cylinder

T14

For 14 mm triangle keys

ZCZ

No cylinder

54 mm

54 - 60 mm

HANDLES

S



Aluminium reinforced


Z

No handles



LOCINOX HQ

Mannebeekstraat 21
8790 Waregem – Belgium

 T. +32 (0)56 77 27 66

LOCINOX CEE

Irysowa 9
55-040 Bielany Wroctawskie – Poland


 T. +48 (0)71 758 21 00

 info@locinox.com

 www.locinox.com

LOCINOX USA LLC

460-464 Windy Point Drive
Glendale Heights, IL 60139 - USA

 T. 877-LOCINOX

 salesusa@locinox.com

 www.locinoxusa.com

Locinox S - English