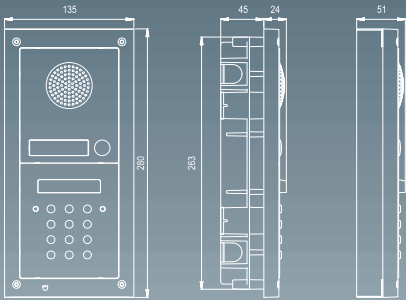


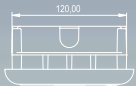
DK4K-1S/GSM



2 push button panel
Posto esterno a 2 pulsanti

Flush
Incasso

Surface
Superficie



DK4K/GSM INTERCOM KIT

As 4K/GSM audio kit with the addition of a VIDEX codelock module Art.4800. This additional feature allows the user to open the door from outside by typing the relevant access code into the keypad.

DK4K-1/GSM

One button flush door entry kit comprising of:

1 Outdoor station including a one call button gsm speaker unit Art.4810-1, a digital codelock module Art.4800 (3 codes / 3 relay outputs with keypad illumination) and a two modules flush mounting box with module support and hinge Art.4852 Standard finishes: mirror stainless steel for the front plate and gun metal grey for the module support.

1 Art.432 GSM Aerial comprised of connection cable and wall fix support plate.

1 Art. 324 12Vdc power supply in a type A 3 module DIN box

Packing: box 29.5x29x7cm total weight 2.4 Kg.

DK4K-2/GSM

As DK4K-1/GSM but two button version with 2 call push button gsm speaker unit Art.4810-2.

Packing: box 29.5x29x7cm total weight 2.4 Kg

DK4K-1S/GSM DK4K-2S/GSM

As door entry kits above but with surface mounting box Art.4882.

Packing: the same as the flush versions but with a total weight of 2.8 Kg.

The module support frame and the module front plate are available in other finishes, see pictures 5 and 6 on page 29 for available versions and additional suffix to use for orders.

