

GATE CLOSER

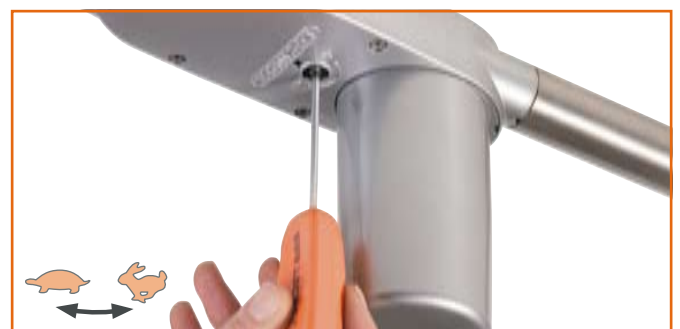
SAMSON - ADJUSTABLE STAINLESS STEEL GATE CLOSER

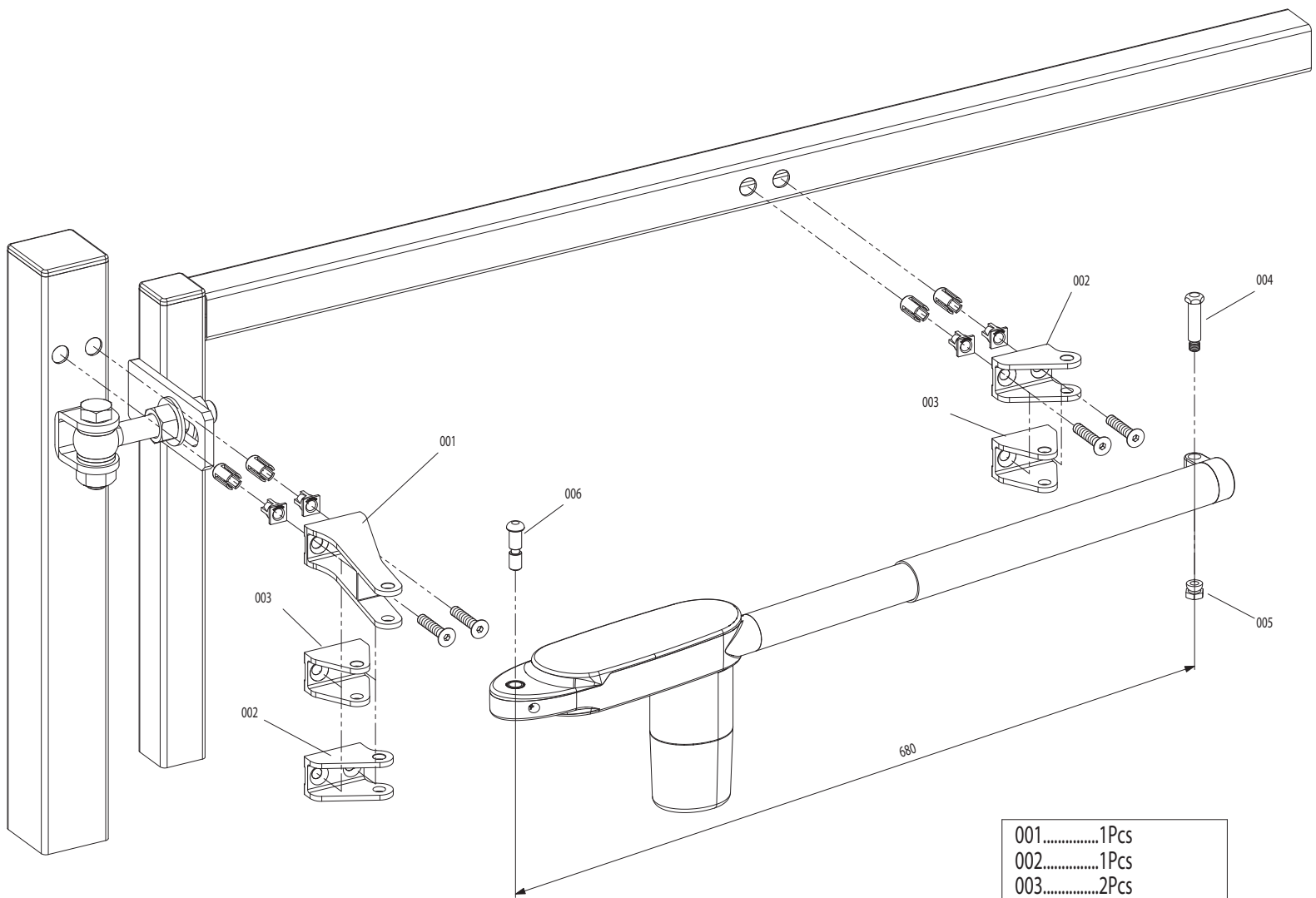


TYPE SAMSON250/SAMSON400

ADJUSTABLE GATE CLOSER - (PATENT PENDING)

- Adjustable closing speed & closing pressure
- Closing speed unaffected by humidity and temperature changes
- Freerun for perfect closing
- Robust design
- Especially designed for exterior use: rain & frost-proof.
- Designed with rustproof materials
- Can be blocked in open position at 110°
- Fixings: Anti-theft and vandalism proof
- Fast and easy fixing: Quick-fix
- Same drilling pattern as Titan 350/500





- | | |
|----------|------|
| 001..... | 1Pcs |
| 002..... | 1Pcs |
| 003..... | 2Pcs |
| 004..... | 1Pcs |
| 005..... | 1Pcs |
| 006..... | 1Pcs |